

# Faster and New SATA Flash Storage

The anti-vibration IEI SLC flash modules featured low power consumption, high performance and perfect reliability are best for SATA SSD and SATA DOM solutions. The SSD not only has much higher performance than the HDD, but also can be operated anytime due to the lack of moving parts such as motor, bearing or rotating head. In addition, the SSD is able to fulfill any specialized application in any harsh environment.

## Complete Industrial SLC Solution



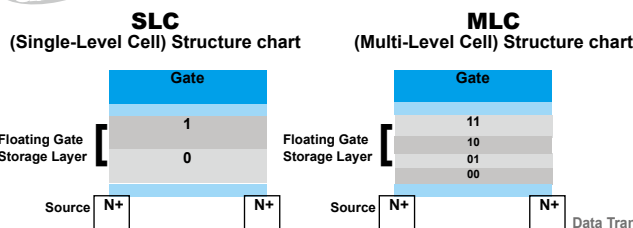
SLC Only



Interface	IDE PATA	SATA 1.5Gb/s	SATA 3Gb/s
Data Transfer Rate	66/100/133 MB/sec.	1.5 Gb/s (max.)	3 Gb/s (max.)
Reliability	Fair	Better	Better
Power Consumption	Higher	Lower	Lower
Heat Delivery	Fair	Better	Better
Chipset Support after 945G/GM	No	Yes	Yes

## SLC vs. MLC Comparison Table

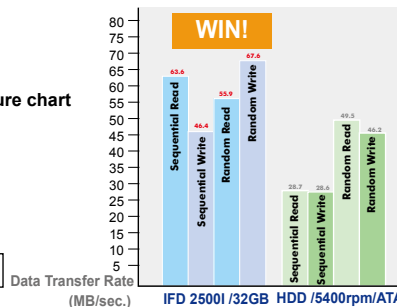
Best Choice



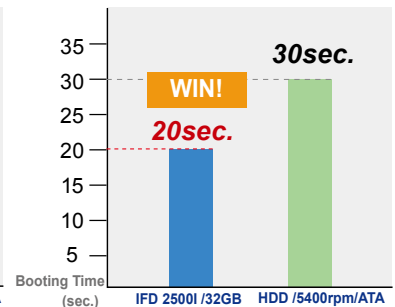
	SLC	MLC
Endurance (Erase cycle)	100,000	5,000-10,000
Operating Temp. Range	Support Wide Temp. -40°C~+85°C	0°C~+70°C
Power Consumption	Lower	Higher
Read/Write Performance	Better	Worse

## Comparison Chart : iFD SATA 2.5" 2500i & HDD

Performance testing



Booting time testing



Item	iFD 2500i	HDD
Data Transfer Rate		
Sequential Read	63.6 MB/sec.	28.7 MB/sec.
Sequential Write	46.4 MB/sec.	28.6 MB/sec.
Random Read	55.9 MB/sec.	49.5 MB/sec.
Random Write	67.6 MB/sec.	46.2 MB/sec.

Item	iFD 2500i	HDD
Booting Time (sec.)	20 sec.	30 sec.

## IEI SATA Flash Module Selection

Item	IFM-3000IS (WS) IFM-3000ILVS (WLVS) IFM-3000ILPS (WLPS)	iFD-2510IS (WT)
------	---	-----------------

Picture



Capacity	128MB-8GB	8GB-128GB
Interface	SATA 1.5Gb/s	SATA 3Gb/s
IDE Transfer Mode	PIO Mode 0-4 MwDMA Mode 0-2 UltraDMA Mode 0-2	PIO Mode 0-4 UltraDMA Mode 0-6
Data Transfer Rate	Read-24MB/sec.; Write-14MB/sec.	Read-60MB/sec.; Write-40MB/sec.
Operating Temp.	-0°C~+70°C; -40°C~+85°C	iFD-2510IS: 0°C~+70°C iFD-2510WT: -40°C~+85°C
Storage Temp.	-55°C~+95°C	-55°C~+95°C
Humidity	10%~95%, non-condensing	10%~95%, non-condensing
Vibration	15G (7~2000Hz)	20G (7~2000Hz)
Shock	1500G/10 ms	1500G/0.5 ms
ECC Technology	High reliability based on the internal ECC function	
MTBF	>3,000,000 hours	>2,000,000 hours
RW Endurance	2,000,000 times	2,000,000 times
Wear-Leveing	Support	Support
DC Input Voltage	+5V single power supply operation	+5V single power supply operation
Power Mode	Auto stand-by and sleep mode	
Power Consumption	200 mA	
Enclosure Material	PC mechanical cover	Metal mechanical cover
Dimensions (WxLxH)	20.5 x 39.2 x 8 mm	69.63 x 99.88 x 9.3 mm
Certificate	RoHS / CE / FCC	

## Ordering Information

### Industrial SATA Flash Card

Part No.	Interface	Capacity
IFM-3000IS-XXXXX	Vertical SATA 1.5Gb/s 7 pin	128MB-8GB
IFM-3000WS-XXXXX	Vertical SATA 1.5Gb/s 7 pin	128MB-8GB
IFM-3000ILVS-XXXXX	Vertical SATA 1.5Gb/s 7 pin	128MB-8GB
IFM-3000WLVS-XXXXX	Vertical SATA 1.5Gb/s 7 pin	128MB-8GB
IFM-3000ILPS-XXXXX	Horizontal SATA 1.5Gb/s 7 pin	128MB-8GB
IFM-3000WLPS-XXXXX	Horizontal SATA 1.5Gb/s 7 pin	128MB-8GB

### Industrial SATA 2.5" Flash Disk

Part No.	Interface	Capacity
iFD-2510IS-XXXXX	SATA 3Gb/s 7+15 pin	8GB-128GB
iFD-2510WT-XXXXX	SATA 3Gb/s 7+15 pin	8GB-64GB

XXXXX=Capacity-128MB/256MB/512MB/1GB/2GB/4GB/8GB/16GB/32GB/64GB/128GB

I= Standard grade operation temp.: 0°C~70°C

W=Industrial grade operation temp.: -40°C~85°C

# Intelligent DC UPS Module

## 12V/9~36V DC Input, 12V DC Output Uninterruptible Power Supply Module with Diagnostics

- VESA 75 or VESA 100 mounting
- 9-36V input through terminal or power jack, or 12V through power jack only
- Battery status and charge monitoring utility. Remote network management capabilities

### Features

- 60W (5A @ 12V) or 100W (8.3A @ 12V) output
- 28Wh or 56Wh, for more than 140 minutes operation time (depending on panel PC power requirements)
- Rugged metal enclosure for standard VESA 75/100 mounting
- Web-based, remote network management, no software installation required
- Local PC-based monitoring software for input detection and battery status monitoring
- Auto shut down when battery low
- Remote DC output on/off switch for external switch installation
- Provides stable power to the PC during line sags and spikes and absorbs power surges and transients, protecting expensive equipment



**New**

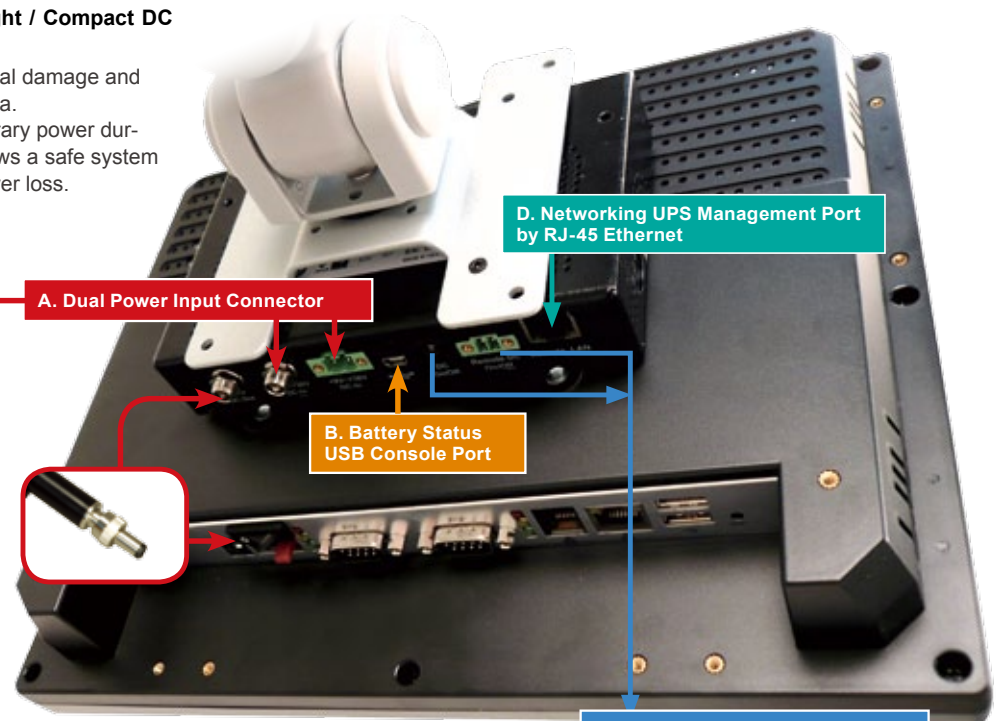
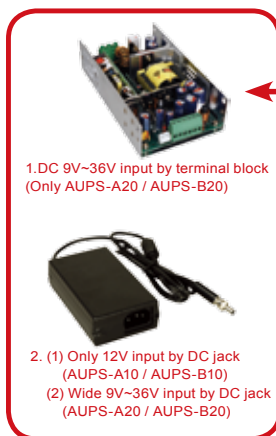
Model Name	AUPS-A10 / AUPS-A20	AUPS-B10 / AUPS-B20	AUPS-C20
Input Power	AUPS-A10 (12V)	AUPS-B10 (12V)	9~36V
	AUPS-A20 (9~36V)	AUPS-B20 (9~36V)	x
Dimensions (mm)	150 x 95 x 34	170 x 150 x 34	233x197x 59
Battery Capacity	28 Wh (Watt/Hour)	56 Wh (Watt/Hour)	200 Wh (Watt/Hour)
Output Power	60W (5A@12V)	100W (8.3A@12V)	100W (8.3A@12V)
VESA Support (mm)	75 x 75	75 x 75 / 100 x 100	75 x 75 / 100 x 100

## Intelligent UPS Module

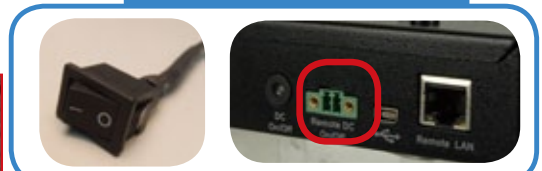
### High Energy Density / Lightweight / Compact DC to DC UPS & Power Module

Protect your panel PC from electrical damage and greatly reduce the risk of losing data.

The UPS module serves as temporary power during a short break in power and allows a safe system shutdown for longer periods of power loss.



	LED 1	LED 2	LED 3
Color	Green	Yellow	Orange
Function	Power Input	Charging Status	Battery Status
Dark	DC Power Out		
Light	DC Power In	Discharging	Battery Full
Blinking		Charging	Battery Low



## AUPS Network Administration Tool

- Network Remote Management Anywhere



- Network Remote Management Software



**Battery Capacity Status**

Power On/OFF

UPS Status Monitoring

**Email Status Report**

Send E-Mail

- Intelligent Software Utility

The remote management software utility and application program allow users to easily get the status of the AUPS and to control the AUPS power functions from anywhere with internet connection.



Remote control DC output ON/OFF via web interface.

Click **ALARM** to get each AUPS status via internet

- STATUS
- Send E-mail
- Board configuration

Network Remote Management Software

## AUPS Local USB Utility Tool

## Battery Monitoring Utility

### Monitor the Most Critical Battery Functions on the Local Machine

The battery monitoring utility provides AUPS status monitoring and configuration ability. Uninterruptible Power Systems is a significant product that serves as emergency power when you suffer from electric event.



### Battery Monitoring Utility Networking Remote Management

- Battery detection
- Battery capacity status
- Battery charge
- DC input indicator
- Battery indicator
- Temperature warning
- Low battery alarm
- Connection port status

DC Input only	Charging 50%	Charging 100%
Normal Icon	Capacity 50%	Capacity 100%

### BATTERY STATUS

BAT.A shows Battery status real time monitoring

- Battery type
- Battery usage remaining time
- Battery capacity bar
- Real-time information update

### AUPS STATUS

STATUS shows DC / Battery power input

- DC Input Detection
- Battery Status Detection

### LAN CONFIGURATION

LAN shows system IP Address information

### ABOUT

ABOUT shows AUPS Utility information

### SETTING

SETTING shows Connection Detection port

- Auto-Scan Connection port
- System shutdown condition according to battery capacity setting



Meanwhile, IEI also provides AUPS API SDK and command list for customer programming under DOS or Linux system.

### AUPS API Content

- Inti()
- AUPS Close()
- WriteCommand()
- ReadCommand()
- Error Code Definition()

### AUPS API SDK



AUPS API SDK/Content



## AUPS Module Specifications

Model Name		AUPS-A10	AUPS-A20	AUPS-B10	AUPS-B20	AUPS-C20
VESA Type		VESA 75	VESA 75	VESA 75 and 100	VESA 75 and 100	VESA 75 and 100
Input Data	Input voltage Unated/range	DC +12V	DC +9V~+36V	DC +12V	DC +9V~+36V	DC +9V ~ +36V
	Input current rated	1. Adapter is 12V-6A (Load is 60W) 2. Battery is 6V-12A (Load is 60W)		1. Adapter is 12V-9A (Load is 100W) 2. Battery is 12V-9A (Load is 100W)		
	Standby power consumption	0.3A (0.2A if Network Management disabled)				
	Operation with charging current	500mA				
	Operation with charging power consumption	6W		10W		
Charging time with system ON/OFF		8hrs / 2hrs (Battery empty)				
Output Data	Output voltage for normal operation	DC +12V +/-5%				
	Output voltage for battery operation(approx).	6~8.4V DC6 V (exhaustive discharge protection)		12~16.8V DC12 V (exhaustive discharge protection)		
	Output current	0A~5A		0A~8.3A		0A~7.6A
	Efficiency (nominal operation) / power loss at Vin=12V, Iout=80% of full loading	89%	93%	95%	94%	90%
Protection	Short-circuit protection	Yes				
	Exhaustive discharge protection	1. Battery low is 10% of battery capacity 2. Shutdown 5% of battery capacity (Default) 3. The end of battery discharge voltage is 6V				
	EMC / Safety certification	CE, FCC				
Monitoring	Ethernet interface	Web-based, specification 10/100Mbps with RJ-45 connection, Cat. 5 cable				
	USB interface	PC-capable, specification 2.0 with full speed, i.e. 2 Mbit/s. Standard 4-core shielded cable, USB Series "mini B" connector to DC-UPS				
Physical	Dimensions (LxWxH)	152mm x 96mm x 28mm		174mm x 147mm x 35mm		233mm x 197mm x 59mm
	Weight	1.2 kg		1.8 kg		3.8 kg
LED Indicator	Green	DC power input				
	Yellow	Battery charging				
	Orange	Bettery discharging				
Environment	Operating Tem.	0°C~40°C				
	Storage Tem.	-20°C~50°C				

Note1: Connecting DC input constantly is recommended. Battery will be drained after 14 hours.

Note2: System power consumption + AUPS charging power consumption = Total watts of power source

## Battery Module Specifications

Model Name		AUPS-A10	AUPS-A20	AUPS-B10	AUPS-B20	AUPS-C20
Battery Model Name		BAT-LI-2S2P3800		BAT-LI-4S2P3800		BAT-LI-4S2P3800(x4)
Battery type		Li-Ion 2S2P 7.4V		Li-Ion 4S2P 14.8V		Li-Ion 4S2P 14.8V
Battery capacity		7.4V 3800 mAH		14.8V, 3800 mAH		14.8V, 3800 mAH(x4)
Maximum charge voltage		8.4V		16.8V		16.8V
The end of discharging voltage		5.6V		11.2V		11.2V
Recommended charging current (max.)		2A		2A		2A
System continuous discharging current (max.)		7.6A		7.6A		7.6A
The end of charge condition		250mA / 1Min		200mA / 1Min		200mA / 1Min
Battery	Discharge protection	Under voltage protection / Over current protection				
	Charge protection	Over voltage protection / Over current protection				
	Ambient temperature	0°C~40°C				
	Storage temperature	-20°C~60°C				
Self-discharge rate		340uA~440uA				
Dimensions (LxWxH)		139mm x 47mm x 26mm		165mm x 76mm x 26mm		165mm x 76mm x 26mm
Weight		236g		450g		450g
Cycle life		300 charge / discharge cycles				
Backup		60W / 10Min		100W / 10Min		100W / 10Min
Safety class		CE, FCC				

Note: Replacing battery module every 2 years is recommended.

### Selection Table for UPS Modules and Main Buffering Time

AFOLUX PPC	AUPS-A10	AUPS-A20	AUPS-B10	AUPS-B20
<b>Under 50W solution</b>				
AFL-057-LX (15W~20W)	145min	145min	290min	290min
AFL-07A-N270 (20W~25W)	100min	100min	200min	200min
AFL-08AH-N270 (25W~30W)	70min	70min	140min	140min
AFL-10A-N270 (25~30W)	70min	70min	140min	140min
AFL-10A-9103 (40W~45W)	50min	50min	100min	100min
AFL-10A-LX (25W~30W)	70min	70min	140min	140min
AFL-12A-LX (25W~30W)	70min	70min	140min	140min
AFL-12B-CX2 (38W~42W)	50min	50min	100min	100min
AFL-12A-N270 (25W~30W)	70min	70min	140min	140min
AFL-12B-9103 (45W~48W)	45min	45min	90min	90min
<b>50W ~ 100W solution</b>				
AFL-15B-915-CM370 (58W~63W)	-	-	35min	35min
AFL-15C-9652-T7500 (65W~70W)	-	-	30min	30min
AFL-17B-915-CM370 (75W~80W)	-	-	25min	25min
AFL-17C-9652-T7500 (85W~90W)	-	-	20min	20min
AFL-19B-915-CM370 (75W~80W)	-	-	25min	25min
AFL-19C-9652-T7500 (85W~90W)	-	-	20min	20min

Note: The backup time could be varied on different models or operating temperature.

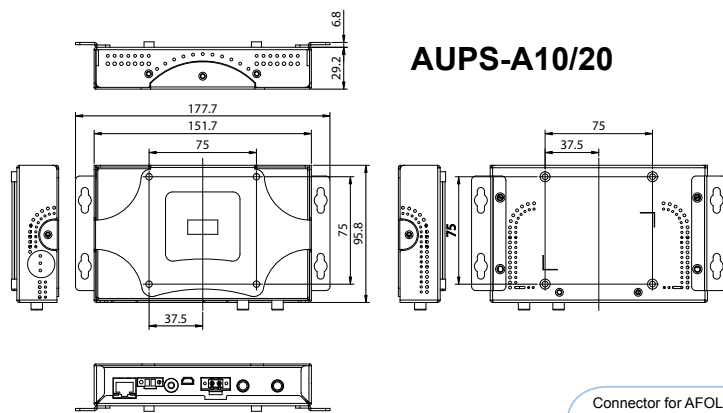


BAT-LI-2S2P3800

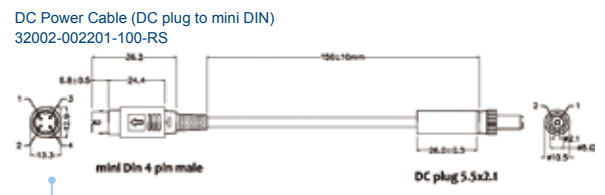
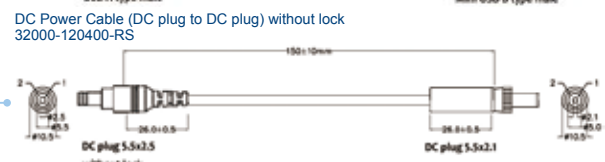
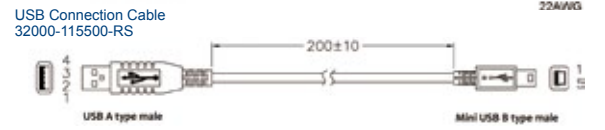
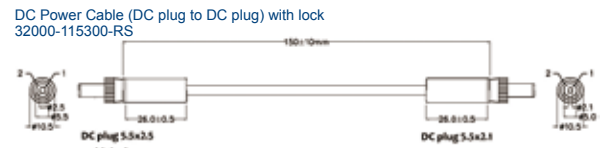
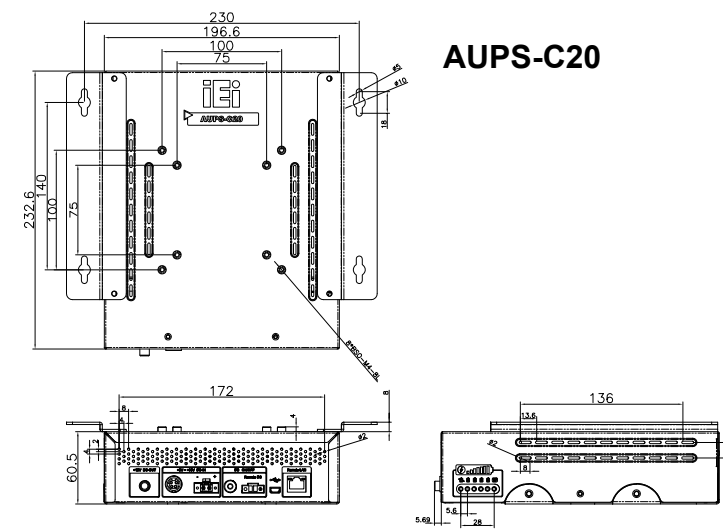
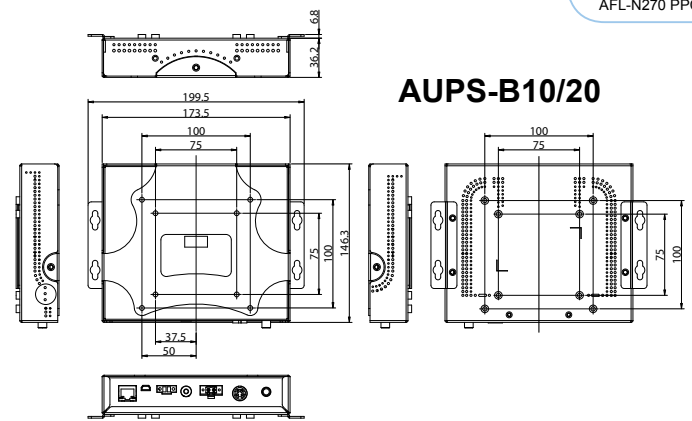


BAT-LI-4S2P3800

### AUPS Mechanical Drawing (Unit: mm)



Connector for AFOLUX Panel PC:  
 AFL-LX PPC series  
 AFL-LXPOS PPC series  
 AFL-CX2 PPC series  
 AFL-9103 PPC series  
 AFL-N270 PPC series



Connector for AFOLUX Panel PC:  
 AFL-915 PPC series  
 AFL-965 PPC series

### Ordering Information

Part No.	Description
AUPS-A10-R11	VESA 75, DC 12V input, 12V output 60W UPS module with 3800mAH, 2S2P Li-ion battery
AUPS-A20-R11	VESA 75, DC 9~36V input, 12V output 60W UPS module with 3800mAH, 2S2P Li-ion battery
AUPS-B10-R11	VESA 100, DC 12V input, 12V output 100W UPS module with 3800mAH, 2S4P Li-ion battery
AUPS-B20-R11	VESA 100, DC 9~36V input, 12V output 100W UPS module with 3800mAH, 2S4P Li-ion battery
AUPS-C20-R10	VESA 100, DC 9~36V input, 12V output 100W UPS module with 3800mAH, W/O battery
BAT-LI-2S2P3800 (AUPS-A10/20)	Smart battery; TE9IC032K1002; Lithium ion battery (S2P); 7.4V; 3800mAh; RoHS
BAT-LI-4S2P3800 (AUPS-B10/B20/C20)	Smart battery; TE9IC042K1002; Lithium ion battery (4S2P); 14.8V; 3800mAh; RoHS

### Packing List

Item	DC power cable, 300mm, male 4-pin mini-DIN to DC plug 5.0 x 2.1 (AUPS-B10/B20/C20 only)	DC power cable, 150mm, DC plug 5.5 x 2.1 to DC plug 5.0 x 2.5 without lock	DC power cable, 150mm, DC plug 5.5 x 2.1 to DC plug 5.0 x 2.5 with lock	USB cable, 200mm, USB type A male to mini USB	Remote switch cable, 1200mm	Screw kit	Utility CD (including utility software and user's guide)
Part Number	32002-002201-100-RS	32000-120400-RS	32000-115300-RS	32000-115500-RS	32000-124600-RS	44013-030041-RS	7B000-000087-RS
Q'ty	1	1	1	1	1	1	1

# IDD-930160-KIT

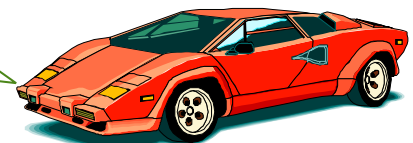
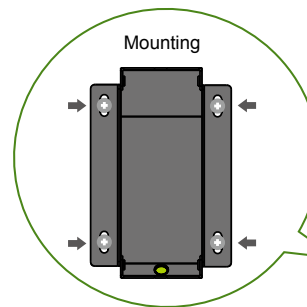
60 W DC/DC Converter Module for AFOLUX Panel PC and Monitor



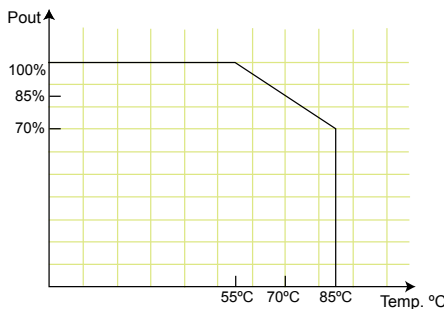
## Specifications

- Input voltage: 9-30 VDC
- Input current: Max. 8.2 A at 9 VDC
- Output: 12 V@5 A
- Max. total output: 60W
- Performance characteristics:
  - Noise and ripple: <120 mV
  - Line regulation: <2.5%
  - Load regulation: <2.5%
- Transient toggle rate: 250 Hz (50% duty ratio)
- Transient current step:
  - From 0% to 50% and 50% to 100% of max current
- Efficiency: typ. 95% (Vin=12 V, 80% of full load)
- Dimensions: 42 mm x 103 mm x 31 mm
- Mounting kit: 12 mm x 80 mm
- Cable length: 180 cm
- Operating temperature: -10°C~55°C
- Load down protection

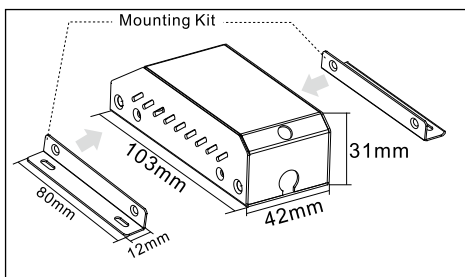
## Typical Applications



Connects to car cigarette lighter



## Dimensions (Millimeters)



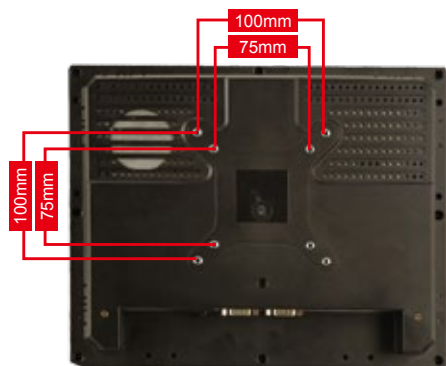
## Packing Information

- 1 x IDD-930160-KIT-R10
- 1 x Mounting kit
- 1 x Screw kit
- 1 x Anti-slip strip
- 1 x Utility CD

## Ordering Information

Part No.	Description
IDD-930160-KIT-R10	60 W DC/DC 9-30 VDC input vehicle power adapter

# IEI Quick Mounting Technology



Compliant with VESA Mounting Standards  
IEI panel solutions have four mounting holes compliant with the VESA (Video Electronics Standards Association) mounting standard (75mm x 75mm/100mm x 100mm) on the rear panel for stand mounting and other mounting methods.

- |                          |                            |
|--------------------------|----------------------------|
| <b>1. Stand Mounting</b> | <b>5. In-Wall Mounting</b> |
| <b>2. V-STAND</b>        | <b>6. Panel Mounting</b>   |
| <b>3. ARM</b>            | <b>7. Rack Mounting</b>    |
| <b>4. Wall Mounting</b>  | <b>8. Din Mounting</b>     |

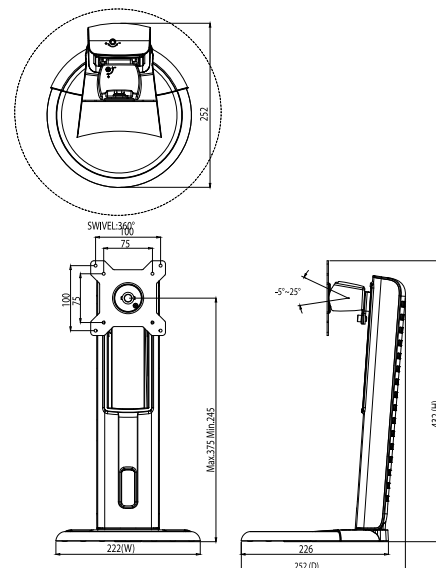
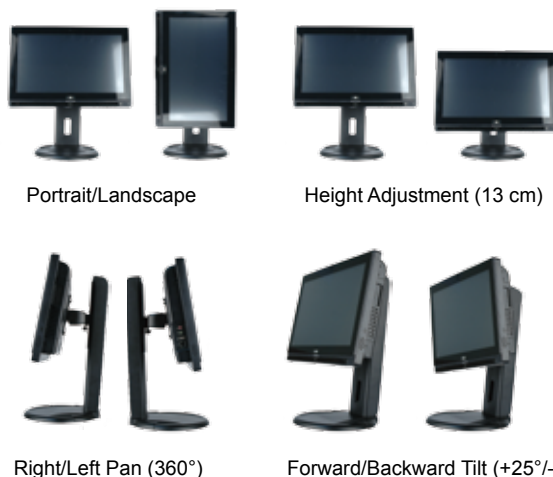
## 1. Stand Mounting

### VESA 75/100 Universal Stand

STAND-A21-R10



**New**

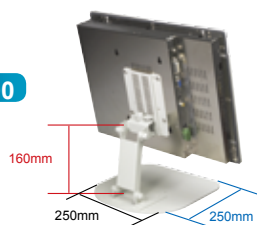


### Ordering Information

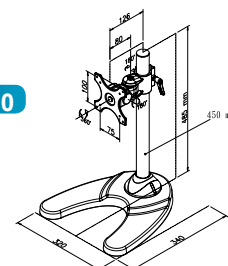
Part No.	Description
STAND-A21-R10	15"~21" VESA 75x75 mm/100x100 mm PPC/Monitor Stand, support from 6 KG to ~12 KG, Black, RoHS



STAND-100



STAND-210



### Ordering Information

Part No.	Description
STAND-100-RS	<ul style="list-style-type: none"> <li>Material: Heavy-duty steel</li> <li>Adjustable display angle</li> <li>3kg to 8kg loading capacity</li> <li>Color: White (Pantone 413C)</li> </ul>

### Ordering Information

Part No.	Description
STAND-210-R11	<ul style="list-style-type: none"> <li>Support VESA 75/100 standard</li> <li>Weight capacity from 7kg~10kg</li> </ul>





## 2. V-STAND

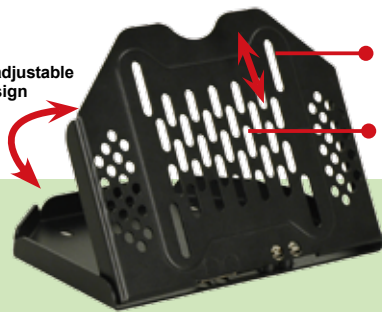
### VESA Multi-Mounting Stand

IEI patented multi-mounting V-Stand allows wall, ceiling, desk, rear and side mounting to meet diverse applications. Its 0° to 90° adjustable hinge design provides optimal viewing in various environments, such as kitchen, room or shelf.

VESA	Model
75 x 75mm	VSTAND-A07-R11
	VSTAND-A10-R11
75 x 75mm / 100 x 100mm	VSTAND-A12-R11



3. 0° to 90° adjustable hinge design



1. Height adjustable and VESA 75/100 compliant mounting holes

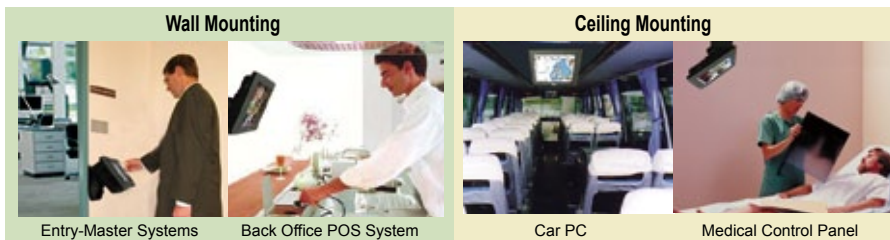
2. Heat dissipation holes help to cool down the system

#### Features:

- 0° to 90° adjustable hinge design allows comfortable viewing
- Standard VESA 75/100 compliance
- Heat dissipation holes
- Compact size, easy to use for mounting anywhere

### A. One fits all solution

The V-Stand is a compact and tilt adjustable mounting stand providing mobility and ergonomic comfort to fit common wall mounting and ceiling mounting situations.



### B. 0° to 90° excellent adjustability

You can change the angle of the stand from 0° to 90° to reach almost any point with ergonomic features for comfortable viewing.



POS System



Self-ordering System

**No Hinge Limitation!**

### C. Space saving and easy installation

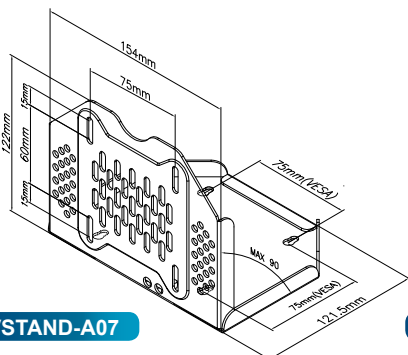


1: Tighten the screws in the rear of the AFOLUX PPC VESA mounting holes

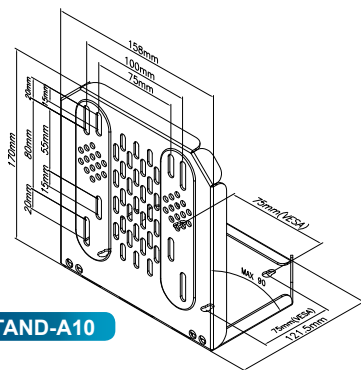
2: Select the position to mount stand kit

3: Plug in the system to operate

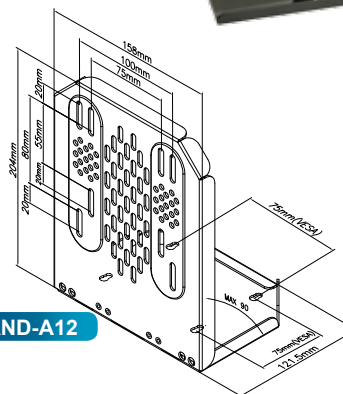
Compact size provides mobility



VSTAND-A07



VSTAND-A10



VSTAND-A12

### Ordering Information

Part No.	Description
VSTAND-A07-R11	LCD monitor / PPC stand V type, for AFL series, VESA 75, 0°~90° degree adjustable hinge, support up to 2.5 kg, RoHS
VSTAND-A10-R11	LCD monitor / PPC stand V type, for AFL series, VESA 75/100, 0°~90° degree adjustable hinge, support up to 3 kg, RoHS
VSTAND-A12-R11	LCD monitor / PPC stand V type, for AFL series, VESA 75/100, 0°~90° degree adjustable hinge, support up to 3.5 kg, RoHS

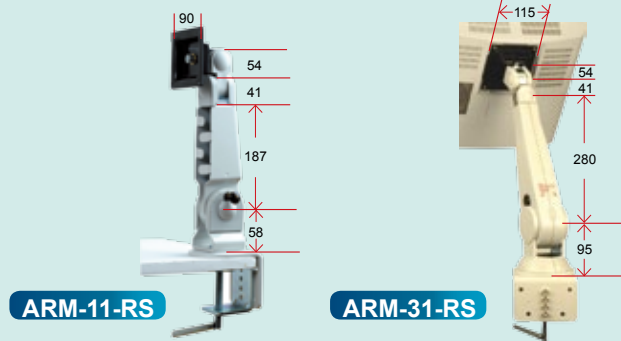
### 3. ARM

#### VESA 75/100 Desk ARM

VESA	Model
75x75mm/100x100mm	ARM-11-RS ARM-31-RS

#### Ordering Information

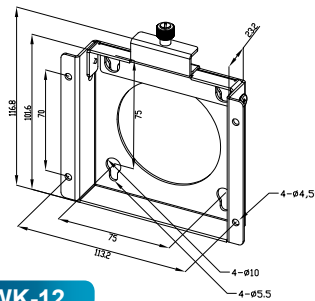
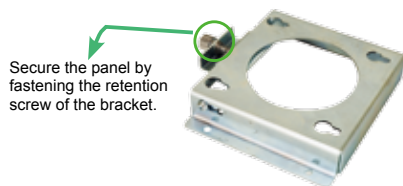
Part No.	Description
ARM-11-RS	LCD Monitor / PPC ARM, VESA 75/100, 3kg~6kg, RoHS
ARM-31-RS	LCD Monitor / PPC ARM, VESA 75/100, 7kg~14kg, RoHS



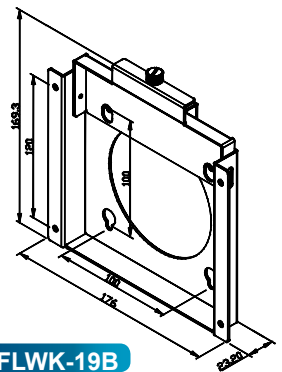
### 4. Wall Mounting

#### VESA 75/100 Wall Mounting

VESA	Model
75x75mm 100x100mm	AFLWK-12 AFLWK-19B



AFLWK-12

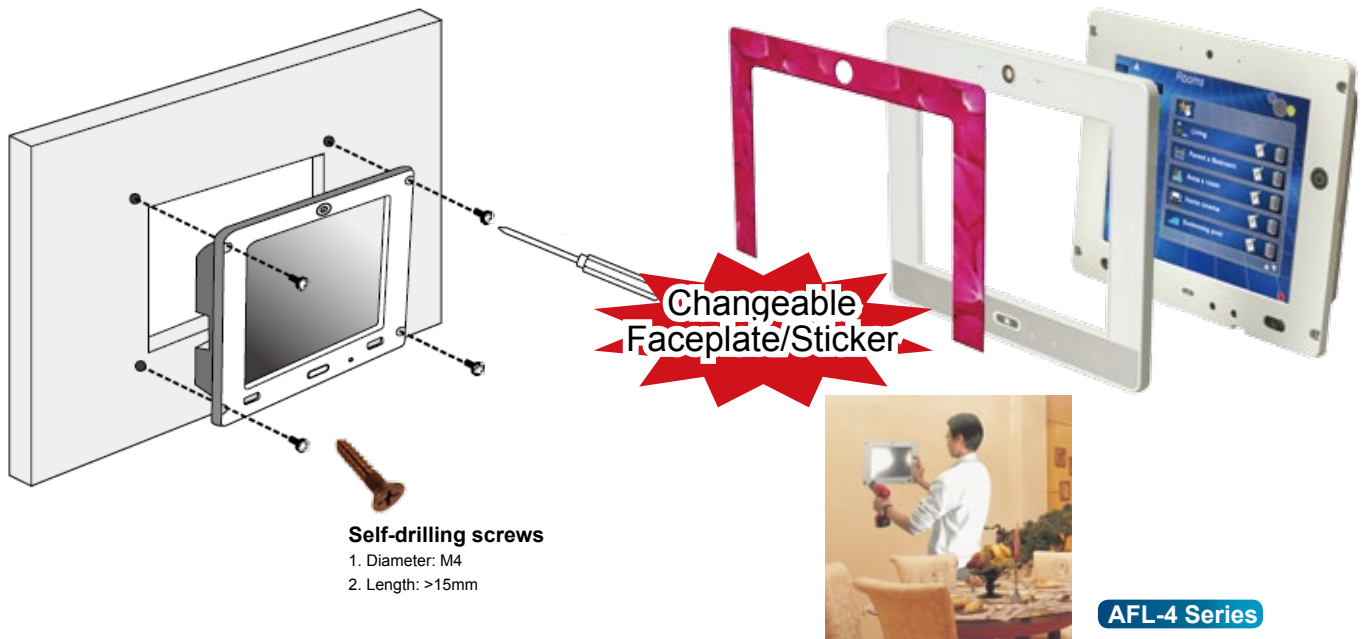


AFLWK-19B

#### Ordering Information

Part No.	Description
AFLWK-12	5.6"~12" VESA 75x75mm PPC/Monitor Wall Mount Kit with Retention Screw, Silver color, RoHS
AFLWK-19B	15"~19" VESA 100x100mm PPC/Monitor Wall Mount Kit with Retention Screw, Silver color, RoHS

### 5. In-Wall Mounting

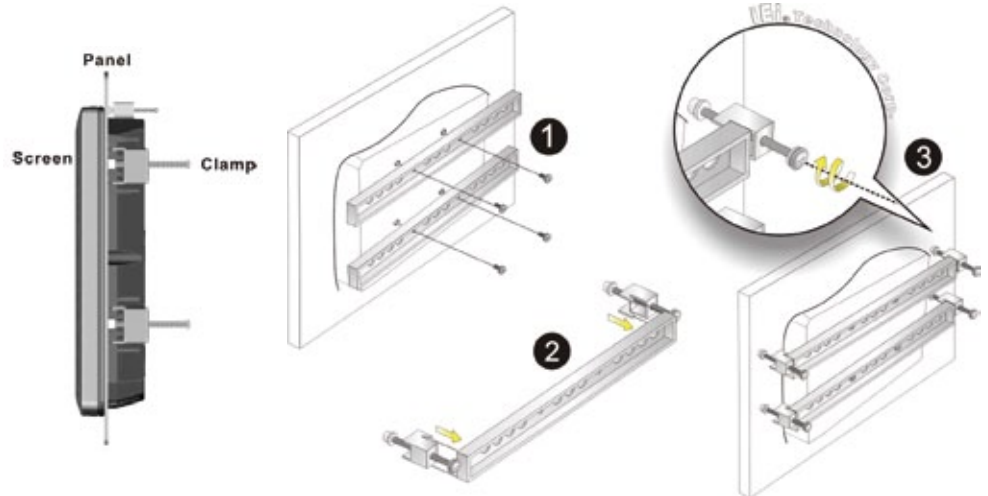
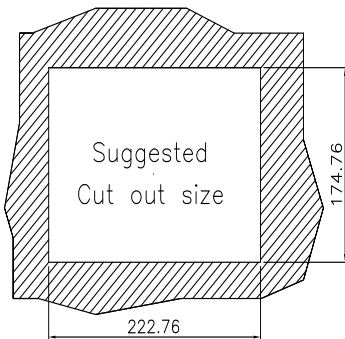
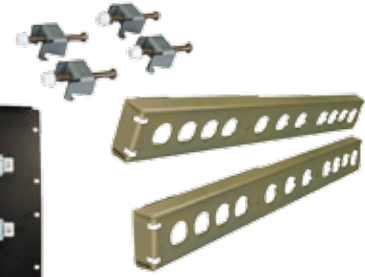


## 6. Panel Mounting

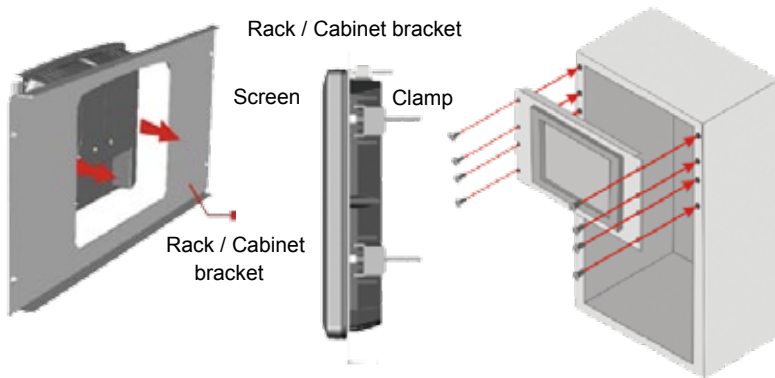
### Type A



### Type B



## 7. Rack Mounting



### Ordering Information

Part No.	Description
AFLRK-xx	For AFOLUX PPC/Monitor Series

## 8. Din Mounting



### Ordering Information

Part No.	Description
DK-84MS	For 6.5"-8.4" Industrial Aluminum Panel PCs/ Industrial Monitors

# IEI AFOLUX PPC Mounting Solution Table

## AFOLUX Panel PC

Model	AFL-057A-LX	AFL-057A-Zxxx	AFL-07A-LX	AFL-07A-N270	AFL-07A-N26	AFL-08AH-LX	AFL-08AH-N270	AFL-F08A-N270	AFL-08A-N26	AFL-08B-N270
Panel Mount Kit	AFLPK-12									
Wall Mount Kit	AFLWK-12									
Rack Mount Kit	AFLRK-057		AFLRK-07				AFLRK-08			
ARM	ARM-11-RS / ARM-31-RS									
Stand	STAND-C12-R10 / STAND-100-RS		STAND-100-RS							
VSTAND	VSTAND-A07-R11					VSTAND-A10-R11				
Model	AFL-W10A-N270	AFL-10A-LX	AFL-10A-N270	AFL-10A-N26	AFL-12A-LX	AFL-12A-N270	AFL-12A-N26	AFL-15A(E)-N270	AFL-15i(E)-HM55	AFL-W15A-N270
Panel Mount Kit	AFLPK-12							AFLPK-15	AFLPK-15B	
Wall Mount Kit	AFLWK-19B	AFLWK-12					AFLWK-19B			
Rack Mount Kit	AFLRK-W10	AFLRK-10		AFLRK-12			AFLRK-15-R11	N/A	AFLRK-W15	
ARM	ARM-11-RS / ARM-31-RS			ARM-11-RS / ARM-31-RS			ARM-11-RS / ARM-31-RS			
Stand	STAND-A12-RS / STAND-100-RS			STAND-A12-RS / STAND-100-RS			STAND-A19-RS / STAND-A21-R10 / STAND-210-R11			
VSTAND	VSTAND-A10-R11			VSTAND-A12-R11			N/A	N/A	N/A	
Model	AFL-W15A-GM45	AFL-17D-N270	AFL-17i-HM55	AFL-17D-GM45	AFL-19i-HM55	AFL-W19A-N270				
Panel Mount Kit	AFLPK-15B	AFLPK-17D	AFLPK-17B	AFLPK-17D	AFLPK-19B	AFLPK-W19B				
Wall Mount Kit	AFLWK-19B									
Rack Mount Kit	AFLRK-W15	AFLRK-17D-R11	N/A	AFLRK-17D-R11	N/A	N/A				
ARM	ARM-11-RS / ARM-31-RS									
Stand	STAND-A19-RS / STAND-A21-R10 / STAND-210-R11									
VSTAND	N/A	N/A	N/A	N/A	N/A	N/A				

## AFOLUX GEN 2 Panel PC

Model	AFL2-W07A-N26	AFL2-08A-N26	AFL2-W10A-N28	AFL2-10A-N28	AFL2-12A-D525	AFL2-12A-HM65
Panel Mounting Kit	AFL2PK-08A		AFL2PK-10A		AFLPK-15	
Wall Mounting Kit	AFLWK-12		AFLWK-12		AFLWK-19B	
Rack Mounting Kit	AFL2RK-W07A	AFL2RK-08A	AFL2RK-W10A	AFL2RK-10A	AFL2RK-12	
ARM	N/A	N/A	N/A	N/A	ARM-11-RS	
Stand	STAND-B08/STAND-C12-R10		STAND-C12-R10/STAND-A21-R10		STAND-A12-RS/STAND-A19-RS/STAND-A21-R10/STAND-C12-R10	
V-Stand	VSTAND-A07-R11		VSTAND-A10-R11		VSTAND-A12-R11	
Model	AFL2-15A-H61	AFL2-W15B-H61	AFL2-W15A-N27	AFL2-17A-H61	AFL2-W19A-H61	AFL2-W21A-H61
Panel Mounting Kit	N/A	AFL2PK-W15B	AFL2PK-W15A-R10	AFL2PK-17A	AFL2PK-W19A	AFL2PK-W21A
Wall Mounting Kit	AFLWK-19B					
Rack Mounting Kit	N/A	AFL2RK-W15B	N/A	AFL2RK-17A	N/A	N/A
ARM	ARM-11-RS/ARM-31-RS		ARM-11-RS/ARM-31-RS	ARM-31-RS		
Stand	STAND-A21-R10/STAND-C19-R10/STAND-210-R11		STAND-A19-RS/STAND-A21-R10/STAND-C19-R10/STAND-210-R11	STAND-A19-RS/STAND-A21-R10/STAND-C19-R10/STAND-210-R11		STAND-A21-R10
V-Stand	N/A		N/A	N/A		