

PACSmate Medical Solutions

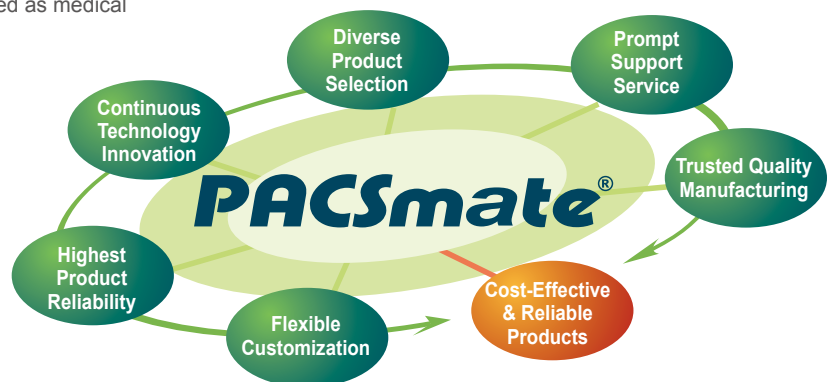
Celebrate Humanity with Technology

Point-of care medical panel PCs support high performance Intel® Core™ i series or Celeron® processor with Intel® HM55 chipset. IEI provides 17"/19" big screen size for medical use, optimizing the applications as an information processing terminal. The user-friendly touch screen gives user easier way to process data input, making POC a perfect information terminal. IEI's medical touch panel PCs with high CPU efficiency are the best choice for the users to strengthen the model function with a variety of peripheral devices.



Our Advantages

- Continuous Technology Innovation**
 The patented GrayBoost® simultaneous 12-bit grayscale and GrayEasy® 30-bit deep color are PACSmate market-leading display technology. The experienced R&D teams aim to keep product innovation for better competitiveness in the market.
- Highest Product Reliability**
 All PACSmate medical products are compliant with stringent safety standards for the highest product reliability, including UL60601, EN60601-1, CE (EN60601-1-2) and FCC Class B.
- Diverse Product Selection**
 PACSmate's high-performing and cost-effective products include diagnostic monochrome/color monitors, clinical reviewing monitors and all-in-one medical panel PCs that are widely used as medical recording/ imaging terminals.
- Trusted Quality Manufacturing**
 All PACSmate monitors are manufactured with extreme care from panel selection to final calibration. Every aspect of each panel is carefully inspected, including luminance, viewing angle and chromaticity.
- ODM Services**
 With intensive knowledge and experiences in medical device products, PACSmate provides time-to-market ODM services to medical device manufacturers for hardware products including medical LCD monitors, laryngoscope systems, patient monitor systems and ultrasound systems.



Medical Panel PC

Point-of care medical panel PC supports high performance Intel® Core i series and Celeron® processor with Intel® HM55 chipset. IEI provides big screen size 17"/19" for medical using, optimizing the applications as an information processing terminal. The user-friendly touch screen gives user easier way to process data input, making POC a perfect information terminal. IEI's medical touch panel pcs are the best choice for the users to get better CPU efficiency and have a complete peripherals to strengthen the model function.

Certified Medical All-in-one Panel PC

EN60601-1 & IEC 60601-1(TUV), CCC,
FCC Class B, CE (EN60601-1-2), UL60601-1



UL60601-1



FCC Class B



CE (EN 60601-1-2)



CCC



TÜV GM

IBS-19A Series



New

Interactive Panel PC

- Intel® Core™ i5/i3 or Pentium® processor
- Flat-bezel with LED light visual management

IBS-19A series provides high performance Intel® H61 chipset with multi-function to fit the necessary of medical environment.

- 19" LCD size
- Two DDR3 1333MHz SDRAM SO-DIMMs up to 4 GB
- Second display via HDMI interface
- Easy installation with flexible mounting and cabling

POC- i Series



High Performance Panel PC

- Intel® mobile Core™ i7/ i5/ i3 or Celeron® processor
- Dual-core Intel® HM55 Solution

The POC-i series adopts high performance dual-core Intel® HM55 chipset to provide high CPU efficiency suitable for medical computing.

- 17", 19" LCD size
- System memory supports DDR3 SDRAM SO-DIMM up to 8 GB
- Second display via HDMI interface
- 802.11a/b/g/n high speed wireless

POC- 5/A Series



Fanless Panel PC

- Fanless dual-core Intel® GM45 solution
- Reliable touch screen with LED backlight supported

The fanless POC-5/A series is an all-in-one panel PC. The fanless design can be applied in critical environments such as the surgery room to prevent dust accumulation.

- 17" LCD size
- Powerful Intel® Core™2 Duo CPU and Intel® GM45 chipset support
- 802.11a/b/g/n high speed wireless
- HDMI and DisplayPort interfaces for second display

POC-3/B Series



UPS Function Panel PC

- Panel PC with UPS function and AUPS system
- Expandable function through PCI/PCIe x1 expansion slot

The POC-3/B series is an all-in-one panel PC equipped with user-friendly touch screen. The POC-3/B series is preinstalled with a battery for UPS function and a smart AUPS battery monitoring utility suitable for different situations.

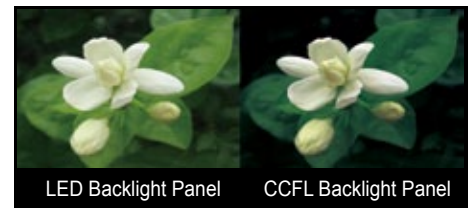
- 17" LCD size
- Powerful Intel® Core™2 Duo CPU support
- Value-added UPS advantage

Medical Panel PC Features

LED Backlight

The medical panel PC with LED backlight displays clearer and more vivid images and can even be adapted in medical environments where according to user's demand.

	CCFL	LED
Size	Thicker and heavier	Thinner and lighter
Power	Higher power consumption and heat generation	Lower power consumption and heat generation
Brightness	Lower brightness	Generally higher brightness
Lifecycle	Shorter lifecycle	Longer than CCFLs



* LED backlight displays vivid images.

Models	17"	19"	19"
Brightness (cd/m²)	380	350	300
Models	POC-517A POC-17i POC-19i	POC-3174B	IBS-19A

OSD Utility

IEI provides OSD remote system utility allowing users user to adjust the system settings though the software interface without touching the keypad below the front panel. During the surgery, doctors check the medical information on the screen by touching the screen directly for saving the time to search correct keypad.



Wireless Capability

The POC series supports wireless 802.11a/b/g/n with the invisible antenna for wireless connection to enable better connection quality though accurate network selection. The powerful 802.11a/b/g/n wireless connection decreases redundancy and ensures reliable network for real-time medical record processing.

Advantages

- No network cables is needed
- Saving the setup cost and lead time
- Real-time data communication

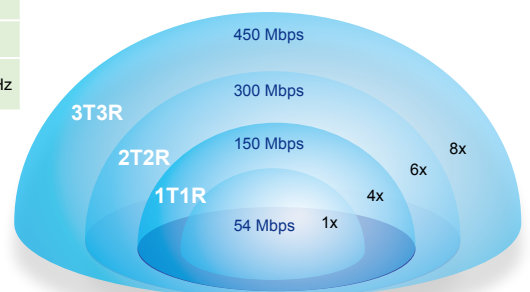
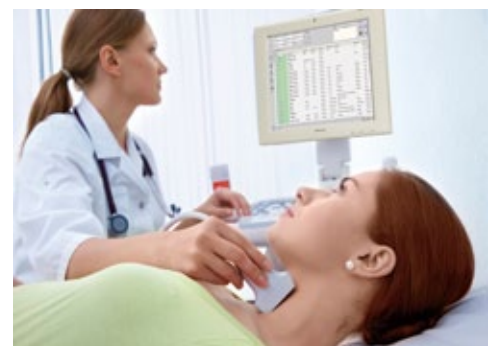


	802.11a	802.11b	802.11g	802.11n
Data Rate (Mbps)	54	11	54	54
Range (Radius indoor)	35 Meters	38 Meters	38 Meters	250 Meters
Range (Radius outdoor)	120 Meters	140 Meters	140 Meters	250 Meters
Radio Frequency	5.15 GHz to 5.85 GHz	2.4 GHz to 2.5 GHz	2.4 GHz to 2.5 GHz	2.4 GHz or 5.0 GHz

The medical panel PC integrates PIFA antenna and provides 802.11n 3T3R wide bandwidth wireless communication.

T: Transmitter: the number T is absolutely relative with speed, 1T up to 150Mbps, 2T up to 300Mbps, 3T up to 450Mbps

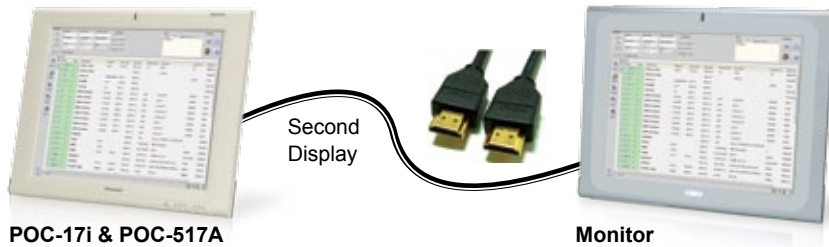
R: Receive: the number R is relative with receiving dead angle and distance.



Multiple Monitor Support

A. HDMI (High-Definition Multimedia Interface)

HDMI is a compact audio/video interface for transferring uncompressed digital video data and compressed/uncompressed digital audio data from an HDMI-compliant device to a compatible digital audio device, computer monitor, video projector, or digital television. HDMI is a digital replacement for existing analog video standards.

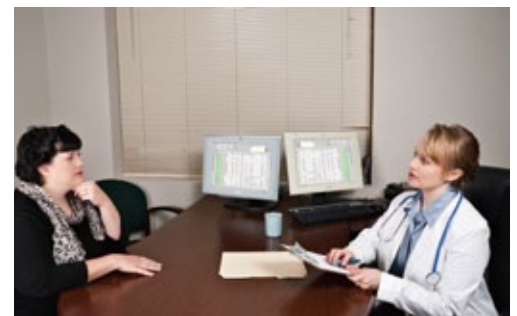
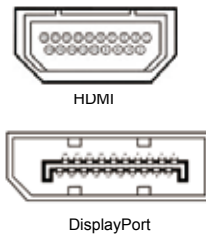


Advantages

- Backward compatibility with DVI via an adapter.
- Support audio transport (v.s. DVI can only transmit image).

B. Latest Display Technology: DisplayPort

DisplayPort is a digital display interface standard put forth by the Video Electronics Standards Association (VESA). It defines a new license-free, royalty-free, digital audio/video interconnect, intended to be used primarily between a computer and its display monitor. The new DisplayPort on the POC-517A series enable the connection with the latest video device.



Advantages

- Backward compatible with DVI/HDMI via an adapter.
- Support multi-display simultaneously: It can be monitors, notebooks or all-in-one computers.

Reliable Touch Screen Design

The medical panel PC series is equipped with a reliable 5-wire resistive type touch screen. The touch screen allows doctors to touch and control the system while wearing gloves for convenient usage.

Type	Resistive 5-wire
Input Method	Hand or Stylus
Glove	Yes
Single/Multi-touch	Single
Hardness	3H
Transparency	78%



Internal Battery

UPS Function

The built-in Li-ion battery provides power backup during power disruptions, keeping costly and valuable data safe. The smart AUPS software has the following battery monitoring functions:

- Current power source
- Battery status
- Charging status
- Battery life monitoring



Adapter
DC 12V Power In



Battery
 • Type: Li-Ion 4S2P
 • Normal Voltage: 14.8V, 3800mAh
 • Backup: 100W/10min

POC-3174B
* Stand is an optional item



AUPS Battery Monitoring Utility

Multi-purpose All-in-one Medical Panel PC

The remote management LAN provides detailed battery status information over the network, which means the battery information can be monitored from another computer through the network.

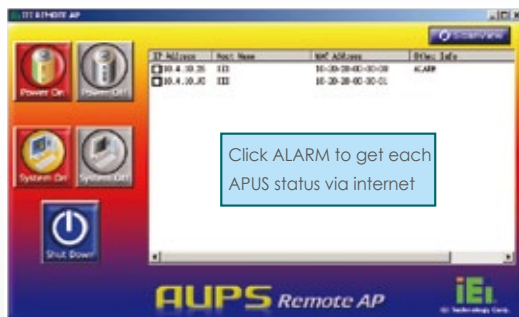
Battery

- Type: Li-Ion 4S2P
- Normal Voltage: 14.8V. 3800mAh
- Backup: 100W/10min



Easy Remote Management

PACSmate provides a software utility for users to easily get the real-time AUPS sub-system status and to remotely control system power on/off from anywhere and anytime through network connection. The users can use the remote management software to either setup a static IP address or have the DHCP server to get an IP address for the managed system.



Real-time Battery Monitoring

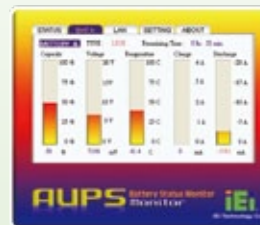
The Uninterruptible Power Systems is a significant product that serves as emergency power when you suffer from electric event. The battery monitoring utility allows real-time AUPS status monitoring and provides the ability to change the settings.



Send-E-Mail



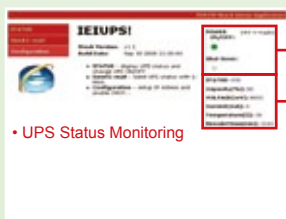
Board Configuration



Battery Status Check



LAN Configuration



• UPS Status Monitoring

Battery Status Monitoring



Settings

Medical Panel PC Selection Guide

New



Model		POC-17i	POC-19i	POC-517A	POC-3174B	IBS-19A
LCD Touch Specification	LCD Size (inch)	17"	19"	17"	17"	19"
	Max. Resolution	1280 (W) x 1024 (H)				
	Brightness (cd/m ²)	380	350	380	380	300
	Contrast Ratio	800:1	1000:1	1000:1	1000:1	2000:1
	LCD Color	16.7M				
	Viewing Angle (H-V)	170°/160°				178°/178°
	Touch Screen	5-wire resistive type				
System	CPU	Intel® Core™ i7/i5/i3, Celeron® processor		Intel® Core™2 Duo Socket P (T9400-2.53G / T7500-2.2G/ P8400-2.26G)	Intel® Core™2 Duo Socket P (T7500-2.2G/ Celeron® M 550-2.0G)	Intel® Core™ i5/i3, Pentium® processor
	Chipset	Intel® HM55		Intel® GM45 + ICH9M	Intel® GME965 + ICH8M	Intel® H61
	Memory	Two 204-pin 800/1066 MHz DDR3 dual-channel SO-DIMM (system max. 8GB)		Two 2.0 GB (max.) DDR2 SO-DIMM (system max. 4.0 GB)	One 200-pin DDR2 SO-DIMM	Two DDR3 1333MHz SDRAM SO-DIMMs
	I/O Ports	1 x RS-232 by DB-9 2 x GbE LAN by RJ-45 1 x HDMI port 1 x VGA port by DB-15 1 x Power switch	1 x RS-232 or RS-422/485 by DB-9 4 x USB connector 1 x Audio jack (line-out) 1 x Reset button 1 x Power jack	6 x USB 2.0 2 x RS-232 2 x GbE LAN 1 x VGA 1 x DisplayPort 1 x Audio 1 x HDMI 1 x Power inlet connector	2 x USB 2.0 3 x RS-232 2 x GbE LAN 1 x VGA 1 x DVI 2 x Audio 2 x PS2 1 x AC Power inlet connector	1 x RS-232 2 x GbE LAN by RJ-45 1 x HDMI 2 x USB 2.0 1 x Mic-in 1 x Line-out 1 x AT/ATX switch 1 x Reset button
	Drive Bay	1 x 2.5" SATA HDD		1 x 2.5" SATA HDD 1 x IDE CF card 1 x Slim type DVD combo	1 x 2.5" SATA HDD 1 x IDE CF card 1 x Slim type DVD combo	1 x 2.5" SATA HDD 1 x Slim DVD RW 24X
	Audio	2 x 3W AMP				
	LED Function	One power on/off LED on front panel		One power on/off LED on front panel	Four LED on front panel for System/ Adapter/ Battery/ UPS function	Six LED on front panel for Power/HDD/Wi-Fi/Bluetooth/ CPU temperature alert
	OSD Function	Five buttons (LCD on/off, Light +/-, Audio +/-)		Five buttons (LCD on/off, Light +/-, Audio +/-)	Five buttons (LCD on/off, Light +/-, Audio +/-)	Six OSD keys (system on/off, brightness +/-, Volume +/-, programmable function key)
Wireless	Wi-Fi	802.11a/b/g/n				
Physical	Construction Material	Anti-bacteria plastic front frame				
	Mounting	Panel, Wall, Rack, Stand and Arm VESA 100mm x 100mm	Panel, Wall, Stand and Arm VESA 100mm x 100mm	Wall, Stand and Arm VESA 100mm x 100mm	Stand and Arm VESA 100mm x 100mm	Wall, Stand and Arm VESA 100mm x 100mm
	Net Weight	6.0 kg	6.2 kg	7.0 kg	8.5 kg	7.28 kg
	Dimensions (WxHxD) (mm)	428 x 350 x 76	470 x 383 x 79	428 x 350 x 79	432 x 374 x 122	466 x 428 x 65
Environment	Operating Temperature (°C)	0°C ~ 40°C				
	IP Level	IP 64 compliant front panel		IP 65 compliant front panel	IP 65 compliant front panel	IP 65 compliant front panel
Power	Power Requirement	DC 12V input		DC 12V input	DC 12V input	DC 9~28V
Power Adapter		Medical Grade. AC 90V~264VAC input to DC 12V output		Medical Grade, AC 100V~240V input to DC 12V output	Medical Grade, AC 100V~240V input to DC 12V output	Medical Grade, AC 90V~264V input to DC 19V output

IBS-19A Series

17" Medical Panel PC features Intel® Core™ i5/i3 Processor



Features

- Best price and high-performance Intel® Core™ i5/i3 processor
- Easy cleaning and maintenance in Medical environment
- Feature-rich bedside applications for patients
- Professional point-of-care features for clinician
- Innovative LED dash light system for efficient visual management
- Easy installation with flexible mounting and cabling



Specifications

Model		IBS-19A	
CPU		Intel® Core™ i5 - 2390T 2.7GHz Intel® Core™ i3 - 21xxT above 2.5GHz Intel® Pentium® - G6xxT above 2.2GHz	
Chipset		Intel® H61 Express Chipset	
RAM Slot		Two DDR3 1333MHz SDRAM SO-DIMMs System max. 4GB	
Display	LCD Size	19"	
	Resolution	1280 x 1024	
	Brightness (nits)	300	
	Backlight	LED	
	Contrast Ratio	2000	
	Viewing Angle	89/89/89/89	
	Operation Lifetime (Hrs)	50000	
	Gamma Table	Grayscale Mode - DICOM GSDF Clear Base 6500K Grayscale Mode - DICOM GSDF Blue Base 9300K Color Mode - Gamma 2.2 6500K Color Mode - DICOM GSDF Clear Base 6500K Color Mode - Gamma 2.2 9300K Color Mode - DICOM GSDF Blue Base 9300K	
Touch Screen		5-wire resistive type	
Wireless	Wi-Fi	802.11a/b/g/n dual-band 2.4Ghz/5Ghz	
Drive Bay	HDD	1 x 2.5" SATA HDD	
	ODD	1 x Slim DVD RW 24x	
I/O Ports	Backward I/O Set	1 x External power switch connector 1 x RS-422/485	1 x USB 2.0 1 x GbE LAN RJ-45
	Downward I/O Set	1 x RS-232 2 x RJ-45 GbE LAN 1 x HDMI 2 x USB 2.0	1 x Mic-in 1 x Line-out 1 x AT/ATX Switch 1 x Reset Button
Audio/Video	Webcam	1280 x 1024 CMOS camera	
	Microphone	Stereo	
	Speakers	2 x 3W	
	Handset	Optional handset with speaker and microphone	
LED Dash Light	Digital TV Tuner	Optional DVB-T by project case	
	Upper	26 x true color LED	
	Left	20 x true color LED	
	Right	20 x true color LED	
OSD Key		6-key touch sensor pad Programmable Fn key	
RFID		Optional Mifare 13.56Mhz RFID reader	
Smart Card Reader		Optional ISO7816-1,2,3 card reader	
Remote control		Infrared remote control for display OSD	
Power	DC Input	9~28 V DC	
	External Adapter	130W 90~264 V@AC to 12V@DC	
IP Level	Front Panel	IP 65	
Environmental Condition	Operating Temp.	0°C ~ 40°C	

Bedside Infotainment + Point of Care = Interactive Bedside Station

PACSmate Interactive Beside Station IBS series is designed to improve both patient experiences and clinical efficiency with unique features. The combination of high performance computing capability and the unique LED dash light design offers the hospitals with endless possibilities in bedside entertainment, patient care and clinical management.

Patient Experiences

- VoIP phone
- Video conference
- Internet access
- Movie and music on demand
- Gaming
- DVB-T digital TV
- Nursing call
- Service ordering
- Patient education
- Billing and payment
- Illumination LED reading light
- Infrared remote control

Clinical Efficiency

- Visual notification by the LED dash light
- DICOM GSDF conformance for referral medical imaging
- Smart card and RFID integration
- WLAN and Ethernet connection
- 3.5G HSPDA connection
- Patient education
- Medicine identification by RFID
- Nursing call
- Hospital information system



High Performance Intel® H61 Chipset & 2nd Generation Intel® Core™ i Processor up to 2.7GHz

2nd Generation Intel® Core™ Processors

- Core™ i5 – 2390T 2.7GHz
- Core™ i3 – 21xxT above 2.5GHz
- Pentium® G6xxT above 2.2GHz
- Intel® HD Graphics 2000 Processor Graphic
- Support DDR3 -1333 MHz



Easy Cleaning and Maintenance

Seamless front panel design

The seamless front panel design provides IP 65 rating for easy cleaning.

Anti-bacteria housing

The plastic housing contains anti-bacteria material to reduce the living bacteria on the surface.

Front smart card reader

The front smart card reader with 45 degree insert angle prevents penetration of any liquid drops

Seamless 5-wire resistive touchscreen

The seamless 5-wire resistive is durable for cleaning with alcohol.

ODD cover

The built-in optical drive is equipped with IP 32 cover.

Front USB ports

The two front USB ports with 45 degree insert angle prevents penetration of any liquid drops



Touch Function Keys

Touch pad function keys with auto-dimming LED light are all programmable.



System Status Indicators

The easy-reading LED lights indicating various system status allows the operators to monitor the system status anytime.



LED Reading Light

The high-bright ness LED reading light with luminance control button provides illumination in dark area.



Feature-rich Bedside Applications

Built-in high-resolution auto-focus video camera

Front stereo MIC
Built-in high-sensitive stereo microphone for video conferencing

Handset for VOIP
Optional handset for VOIP phone

Smart Card Reader
Built-in SCR for ID and Billing applications

Nursing Call
Programmable nursing call button with LED indication light.

Digital TV
Optional DVB-T digital TV tuner with external antenna connection

Medical Imaging - DICOM Compliant

The IBS-19A featuring wide viewing angle LCD with LED backlight is a combination of a profession display and a high-performance PC with DICOM GSDF calibration for grayscale images and with various gamma settings for color images.

Calibrated DICOM / Gamma

Color Mode

- DICOM GSDF Clear Base 6500K
- DICOM GSDF Blue Base 9300K
- Gamma 2.2 6500K
- Gamma 2.2 9300K

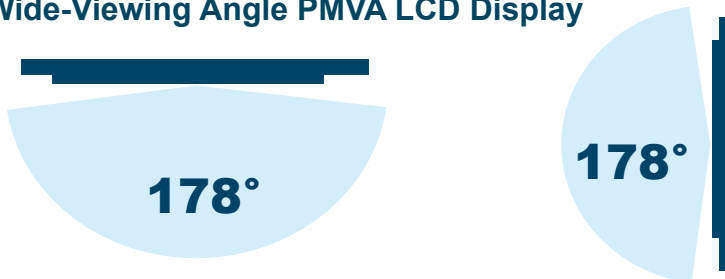


Pure Grayscale Mode

- DICOM GSDF Clear Base 6500K
- DICOM GSDF Blue Base 9300K



Wide-Viewing Angle PMVA LCD Display

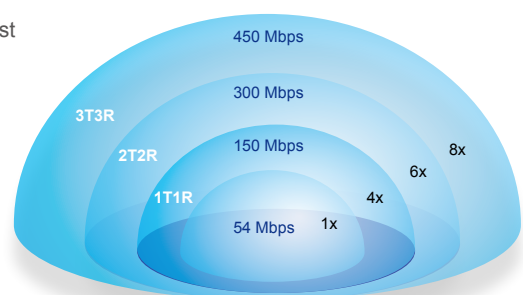


LCD Size	19"
Resolution	1280 x 1024
Brightness	300 nits
Optional High-Brightness	600 nits
Backlight	LED
Contrast Ratio	2000:01:00
Viewing Angle	89/89/89/89
Surface Treatment	Anti-Glare
Operation Life (Hrs)	50000

Wi-Fi 3T3R Wireless LAN

The IBS-19A integrates a 3T3R 802.11a/b/g/n dual-band WLAN to ensure the highest data transmission rate and most stable wireless connection in hospital environments.

- PCIe interface high speed WLAN
- IEEE 802.11a/b/g/n
- Dual-band 2.4GHz/5GHz
- 3 antenna, 3 transmitters, 3 receivers
- 20MHz / 40 MHz bandwidth
- Max. 450 Mbps link rate for 40MHz channel



Innovative LED Dash Light System for Patient Room Visual Management

PACSmate IBS-19A series is the industry-first all-in-one medical computer integrated with high-brightness true color LED Dash Light System which provides maximum flexibility and unlimited possibilities for visual notification in patient bedside, patient room facility and nursing stations. The exclusive LED Dash Light System consists of three LED light bars with a total of 33 light sections which provides ultimate possibilities for configuration of different visual notifications for all kinds of occasions in the healthcare environment.

The innovative LED Dash Light System can replace the traditional LED dome light for more flexibility as well as saving costs and maintenance efforts.



- High-brightness easy-to-see LED dash lights
- 24-bit true color LED provides a total of 1.67 million colors (256 preset colors)
- 33 light sections, each light section can be configured independently.
- 100% software programmable colors, light duration, flash rates and light patterns
- Provide PACSmate LED Dash Light System simulation software for quick and easy configuration and preview of the light script.
- Provide software API for software vendors with easy integration of all control commands to any specific healthcare application software. Software vendors are free to take the advantage of the PACSmate LED Dash Light System, creating additional values for the healthcare applications.

PACSmate LED Dash Light System Simulation Software

33 Light Buttons
Group Select Buttons
Function Buttons

Duration
(1-20 sec)

Scripts

256 Color

Color	Duration	Scripts
1	1	1, 2, 3, 4, 5, 6, 7, 8, 9, 10, 11, 12, 13, 14, 15, 16, 17, 18, 19, 20, 21, 22, 23, 24, 25, 26, 27, 28, 29, 30, 31, 32, 33
2	1	1, 2, 3, 4, 5, 6, 7, 8, 9, 10, 11, 12, 13, 14, 15, 16, 17, 18, 19, 20, 21, 22, 23, 24, 25, 26, 27, 28, 29, 30, 31, 32, 33
3	1	1, 2, 3, 4, 5, 6, 7, 8, 9, 10, 11, 12, 13, 14, 15, 16, 17, 18, 19, 20, 21, 22, 23, 24, 25, 26, 27, 28, 29, 30, 31, 32, 33
4	1	1, 2, 3, 4, 5, 6, 7, 8, 9, 10, 11, 12, 13, 14, 15, 16, 17, 18, 19, 20, 21, 22, 23, 24, 25, 26, 27, 28, 29, 30, 31, 32, 33

Flexible and Easy Installation

HDD quick access
HDD can be accessed from the independent cover without opening the whole system

Hybrid I/O sets
Two sets of I/O connectors facing downward and backward for flexible integration.

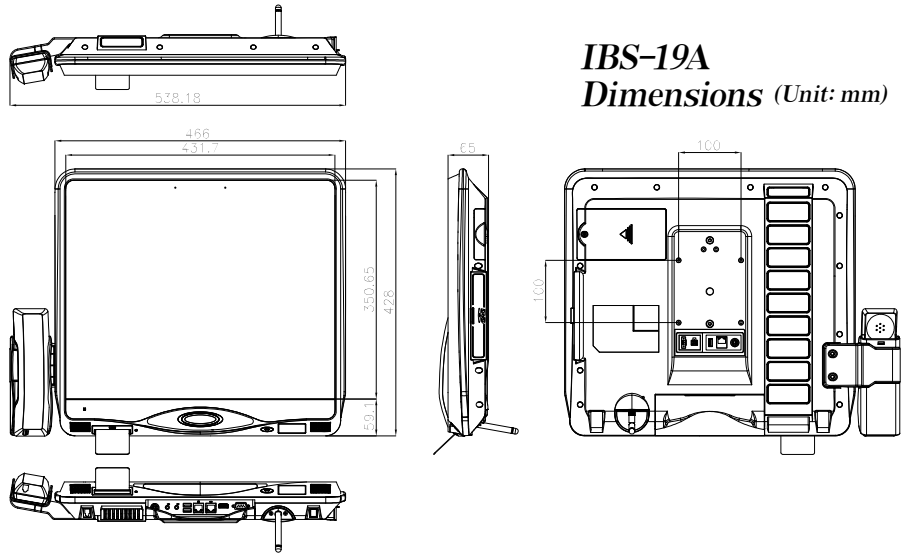
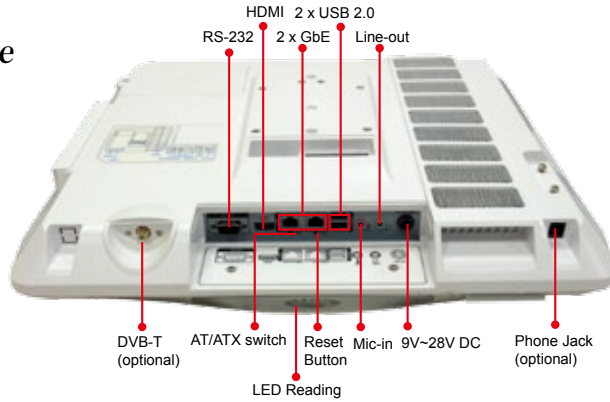
VESA 100 mounting
With the hybrid I/O design, the IBS-19A can be mounted onto a wall, ceiling or desktop stand with the standard VESA 100 interface.

Handset bracket mounting

Handset connector (RJ-11)

DVB-T antenna connector

Rich I/O Interface



IBS-19A
Dimensions (Unit: mm)

Ordering Information

Part No.	Description
IBS-19A3L-P/2G/32G-R10	19" Medical Panel PC, Intel® H61 platform, with Pentium® G6xxT CPU (2.2GHz above), TDP 35W, 2GB DDR3 RAM, 320GB HDD, Wireless 802.11a/b/g/n, Touchscreen, Slim DVD-RW, AC to DC 19V Power Adapter, R10.
IBS-19A3D-P/2G/32G-R10	19" Medical Panel PC, Intel® H61 platform, with Pentium® G6xxT CPU (2.2GHz above), TDP 35W, 2GB DDR3 RAM, 320GB HDD, Wireless 802.11a/b/g/n, Touchscreen, Slim DVD-RW, AC to DC 19V Power Adapter, DICOM GSDF Calibrated, R10.
IBS-19A3S-P/2G/32G-R10	19" Medical Panel PC, Intel® H61 platform, with Pentium® G6xxT CPU (2.2GHz above), TDP 35W, 2GB DDR3 RAM, 320GB HDD, Wireless 802.11a/b/g/n, Touchscreen, Slim DVD-RW, LED Dash Light, RFID, Smart Card Reader, AC to DC 19V Power Adapter, R10.
IBS-19A3L-i3/2G/32G-R10	19" Medical Panel PC, Intel® H61 platform, Core™ i3 21xxT (2.5Ghz above), TDP 35W, 2GB DDR3 RAM, 320GB HDD, Wireless 802.11a/b/g/n, Touchscreen, Slim DVD-RW, AC to DC 19V Power Adapter, R10.
IBS-19A3D-i3/2G/32G-R10	19" Medical Panel PC, Intel® H61 platform, Core™ i3 21xxT (2.5Ghz above), TDP 35W, 2GB DDR3 RAM, 320GB HDD, Wireless 802.11a/b/g/n, Touchscreen, Slim DVD-RW, AC to DC 19V Power Adapter, DICOM GSDF Calibrated, R10.
IBS-19A3S-i3/2G/32G-R10	19" Medical Panel PC, Intel® H61 platform, Core™ i3 21xxT (2.5Ghz above), TDP 35W, 2GB DDR3 RAM, 320GB HDD, Wireless 802.11a/b/g/n, Touchscreen, Slim DVD-RW, LED Dash Light, RFID, Smart Card Reader, AC to DC 19V Power Adapter, R10.
IBS-19A3L-i5/2G/32G-R10	19" Medical Panel PC, Intel® H61 platform, Core™ i5 2390T 2.7GHz, TDP 35W, 2GB DDR3 RAM, 320GB HDD, Wireless 802.11a/b/g/n, Touchscreen, Slim DVD-RW, AC to DC 19V Power Adapter, R10.
IBS-19A3D-i5/2G/32G-R10	19" Medical Panel PC, Intel® H61 platform, Core™ i5 2390T 2.7GHz, TDP 35W, 2GB DDR3 RAM, 320GB HDD, Wireless 802.11a/b/g/n, Touchscreen, Slim DVD-RW, AC to DC 19V Power Adapter, DICOM GSDF Calibrated, R10.
IBS-19A3S-i5/2G/32G-R10	19" Medical Panel PC, Intel® H61 platform, Core™ i5 2390T 2.7GHz, TDP 35W, 2GB DDR3 RAM, 320GB HDD, Wireless 802.11a/b/g/n, Touchscreen, Slim DVD-RW, LED Dash Light, RFID, Smart Card Reader, AC to DC 19V Power Adapter, R10.

Options

Item	Part No.	Item	Part No.
Handset	IBSOPT-HS-R10	Smart Card Reader	IBSOPT-SCR-R10
Mifare RFID Reader	IBSOPT-RFID-R10	Arm	ARM-31-RS
Wall Mounting Kit	AFLWK-19B	Stand	STAND-300SW-RS/STAND-A19/STAND-A21-R10/STAND-C19

Packing List

Item	Part No.	Q'ty	Description
Utility CD	7B000-000773-RS	1	Drivers and User Manual
Power Adapter	63040-010120-010-RS	1	PMP120-13-2, 90-264VAC Input, 120W, 19VDC output
Power Cord	32702-000200-100-RS	1	European, 1830mm
Pen	43125-0002C0-00-RS	1	For Resistive Touch
Mounting Bracket	41120-0310C0-00-RS	1	Mount Bracket
Infrared Remote Controller	7Z000-SLPCB005-RS	1	

POC-17i

17" Medical Panel PC features Intel® Core™ i7/i5/i3 mobile processor with Intel® HM55 chipset

POC-19i

19" Medical Panel PC features Intel® Core™ i7/i5/i3 mobile processor with Intel® HM55 chipset



Features

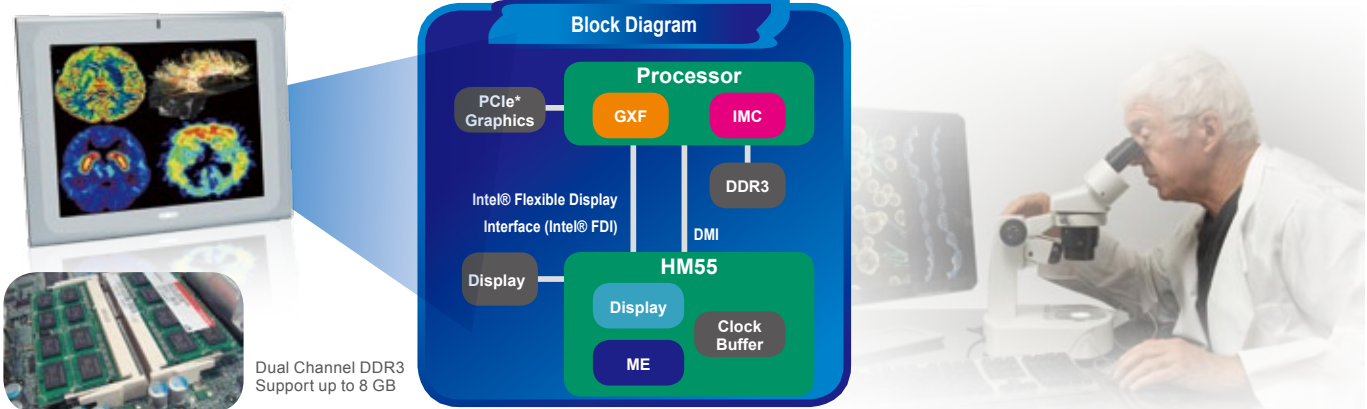
- 17"~19" multi-functional panel PC with touchscreen
- Powered by high-performance Intel® mobile Core™ i7/ i5/ i3 and Celeron® processor with Intel® HM55 chipset
- System memory supports DDR3 SDRAM SO-DIMM up to 8 GB
- HDMI interface provides second display with vivid image quality
- 802.11a/b/g/n high speed wireless
- Dual gigabit Ethernet



Specifications

Model		POC-17i	POC-19i
LCD Touch Specification	LCD Size (inch)	17"	19"
	Max. Resolution	1280 (W) x 1024 (H)	
	Brightness (cd/m ²)	380	350
	Contrast Ratio	800:1	1000:1
	LCD Color	16.7M	
	Viewing Angle (H-V)	170°/160°	
	Touch Screen	5-wire resistive type	
System	CPU	Socket G (PGA989A) Intel® Core™ i7-620M 2.66G / Core™ i5-520M 2.4G / Core™ i3-350M 2.26G / Celeron® P4500 1.86G	
	Chipset	Intel® HM55	
	Memory	Two 204-pin 800/1066 MHz DDR3 dual-channel SO-DIMM (system max. 8GB)	
	I/O Ports	1 x RS-232 by DB-9 2 x GbE LAN by RJ-45 1 x HDMI port 1 x VGA port by DB-15 1 x Power switch	1 x RS-232 or RS-422/485 by DB-9 4 x USB connector 1 x Audio jack (line-out) 1 x Reset button 1 x Power jack
	Drive Bay	1 x 2.5" SATA HDD bay for SATA storage devices	
	Audio	AMP 3W + 3W (internal speaker)	
	LED Function	One power on/off LED on front panel	
	OSD Function	Five buttons(LCD on/off, Light +/-, Audio +/-)	
Wireless	Wi-Fi	802.11a/b/g/n	
Physical	Construction Material	Anti-bacteria plastic front frame	
	Mounting	Panel, Wall, Rack, Stand and Arm VESA 100 mm x 100 mm	Panel, Wall, Stand and Arm VESA 100 mm x 100 mm
	Net Weight	6.0 kg	6.2 kg
	Dimensions (WxHxD) (mm)	428 x 350 x 76	470 x 383 x 79
Environment	Operating Temperature (°C)	0°C~40°C	
	IP Level	IP 64 compliant front panel	
Power	Power Requirement	DC 12V input	
Power Adapter		Medical Grade. AC 90V~264VAC input to DC 12V output	

The Best Performance Grade with Intel® Mobile Core™ i7/ i5/ i3



Block Diagram

Processor

- PCle* Graphics
- GXF
- IMC
- DDR3

Intel® Flexible Display Interface (Intel® FDI)

DMI

HM55


- Display
- ME
- Clock Buffer

Dual Channel DDR3 Support up to 8 GB

802.11a/b/g/n Ready with Invisible Antenna

The POC-17i/19i series has two GbE LAN connectors and wireless 802.11a/b/g/n network connection, enabling better connection quality through accurate network selection. The powerful 802.11a/b/g/n wireless connection increases redundancy and ensures reliable network for real-time medical record processing.

	802.11a	802.11b	802.11g	802.11n
Data Rate (Mbps)	54	11	54	54
Range (Radius Indoor)	35 Meters	38 Meters	38 Meters	250 Meters
Range (Radius Outdoor)	120 Meters	140 Meters	140 Meters	250 Meters
Radio Frequency	5.15 GHz to 5.85 GHz	2.4 GHz to 2.5 GHz	2.4 GHz to 2.5 GHz	2.4 GHz or 5.0 GHz



27 times faster than 802.11b, no cables or installation fees



Ordering Information

Part No.	Description
17"	POC-17i-i7/2G/320G-R10 17" Medical Panel PC, with Core i7-620M 2.66GHz, 2 GB DDR3 RAM, 320 GB HDD, wireless 802.11a/b/g/n, touchscreen, power adapter, RoHS
	POC-17i-i5/2G/320G-R10 17" Medical Panel PC, with Core i5-520M 2.4GHz, 2 GB DDR3 RAM, 320 GB HDD, wireless 802.11a/b/g/n, touchscreen, power adapter, RoHS
	POC-17i-i3/2G/320G-R10 17" Medical Panel PC, with Core i3-350M 2.26GHz, 2 GB DDR3 RAM, 320 GB HDD, wireless 802.11a/b/g/n, touchscreen, power adapter, RoHS
	POC-17i-P45/2G/320G-R10 17" Medical Panel PC, with Celeron P4500 1.86GHz, 2 GB DDR3 RAM, 320 GB HDD, wireless 802.11a/b/g/n, touchscreen, power adapter, RoHS
19"	POC-19i-i7/2G/320G-R10 19" Medical Panel PC, with Core i7-620M 2.66GHz, 2 GB DDR3 RAM, 320 GB HDD, wireless 802.11a/b/g/n, touchscreen, power adapter, RoHS
	POC-19i-i5/2G/320G-R10 19" Medical Panel PC, with Core i5-520M 2.4GHz, 2 GB DDR3 RAM, 320 GB HDD, wireless 802.11a/b/g/n, touchscreen, power adapter, RoHS
	POC-19i-i3/2G/320G-R10 19" Medical Panel PC, with Core i3-350M 2.26GHz, 2 GB DDR3 RAM, 320 GB HDD, wireless 802.11a/b/g/n, touchscreen, power adapter, RoHS
	POC-19i-P45/2G/320G-R10 19" Medical Panel PC, with Celeron P4500 1.86GHz, 2 GB DDR3 RAM, 320 GB HDD, wireless 802.11a/b/g/n, touchscreen, power adapter, RoHS

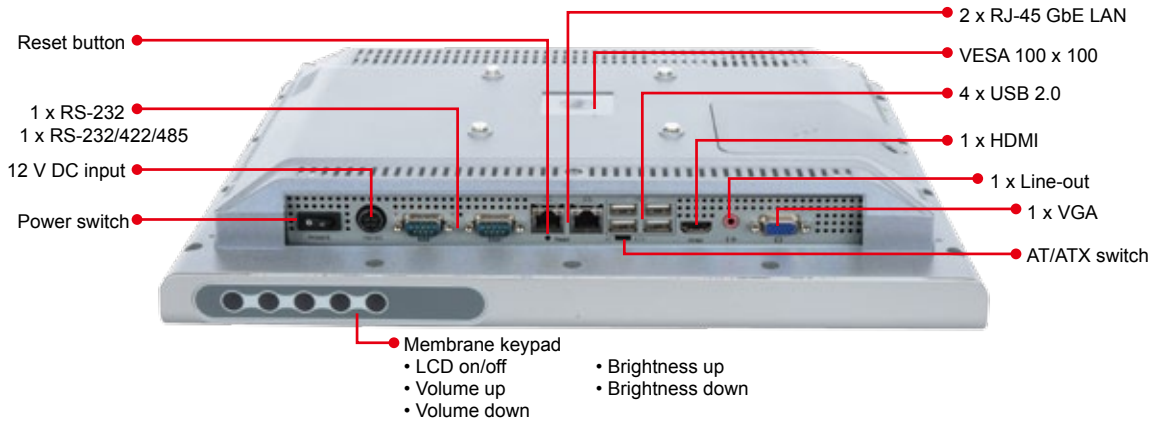
Packing List

Item	Part No.	Q'ty	Description
Utility CD	7B000-000773-RS	1	Drivers and User Manual
Power Adapter	63040-010096-030-RS	1	PMP120-12-S; 90~264VAC Input ; 96W; 12VDC output
Power Cord	32000-000002-RS	1	European, 1830mm
Pen	43125-0002C0-00-RS	1	For Resistive Touch

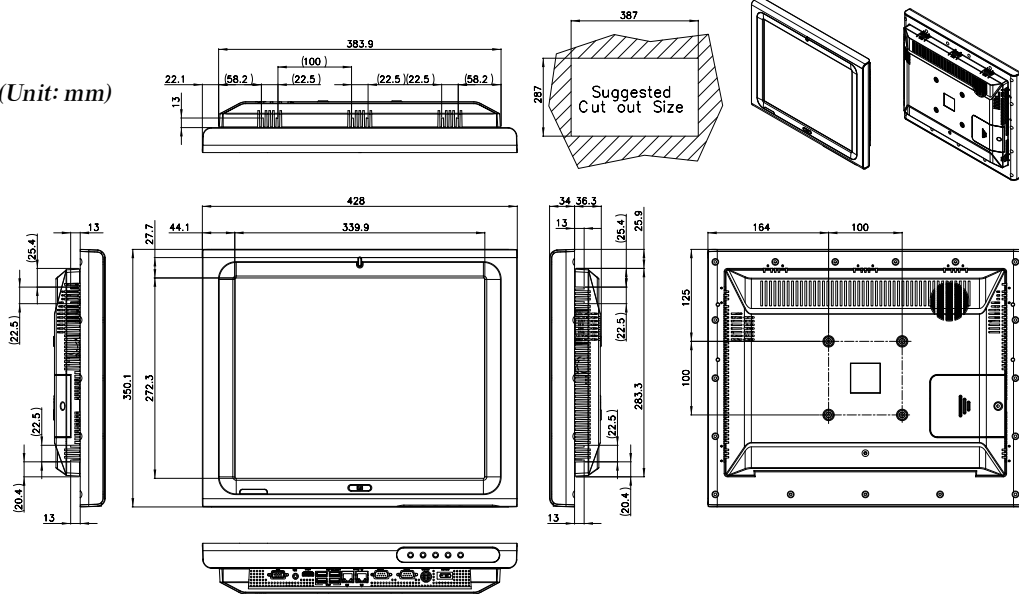
IQ Mounting Options

Item	Part No.
Wall Mount Kit	AFLWK-19B
Arm	ARM-11-RS, ARM-31-RS
Stand	STAND-A19, STAND-A21-R10

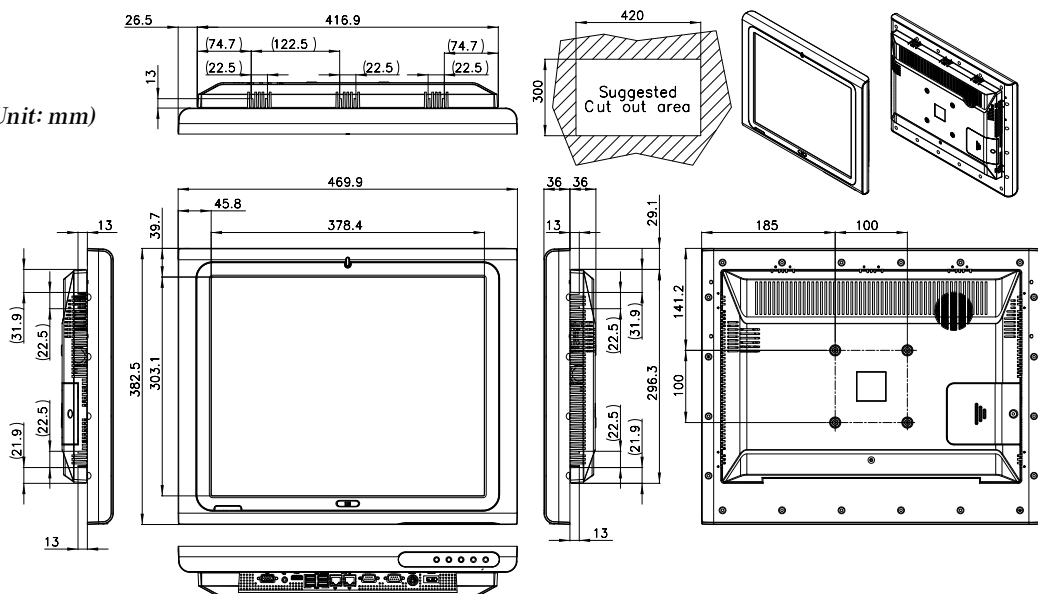
I/O Interface



POC-17i
Dimensions (Unit: mm)



POC-19i
Dimensions (Unit: mm)



POC-517A

17" Medical Panel PC features Socket P Intel® Core™2 Duo Processor



Fanless

Features

- 17" all-in-one medical panel PC
- Intel® GM45 chipset and Core™2 Duo CPU support
- Optical drive for burning images to DVD
- Built-in HDMI and DisplayPort for dual display
- Optional HSDPA module for mobile connection
- One CompactFlash® slot for embedded applications



Specifications

Model		POC-517A
LCD Touch Specification	LCD Size (inch)	17"
	Max. Resolution	1280 (W) x 1024 (H)
	Brightness (cd/m²)	380
	Contrast Ratio	1000:1
	LCD Color	16.7M
	Viewing Angle (H-V)	170°/160°
	Touch Screen	5-wire resistive type
System	CPU	Intel® Core™2 Duo Socket P (T9400-2.53G / T7500-2.2G/ P8400-2.26G)
	Chipset	Intel® GM45 + ICH9M
	Memory	Two 2.0 GB (max.) DDR2 SO-DIMM (system max. 4.0 GB)
	I/O Ports	6 x USB 2.0 2 x RS-232 2 x GbE LAN 1 x VGA 1 x DisplayPort 1 x Audio 1 x HDMI 1 x Power inlet connector
	Drive Bay	1 x 2.5" SATA HDD 1 x IDE CF card 1 x Slim type DVD combo
	Audio	2 x 3W AMP
	LED Function	One power on/off LED on front panel
	OSD Function	Five buttons (LCD on/off, Light +/-, Audio +/-)
	Wireless	Wi-Fi
System Cooling		Fanless
Physical	Construction Material	Anti-bacteria plastic front frame
	Mounting	Wall, Stand and Arm VESA 100mm x 100mm
	Net Weight	7.0 kg
	Dimensions (WxHxD) (mm)	428 x 350 x 79
Environment	Operating Temperature (°C)	0°C ~ 40°C
	IP Level	IP 65 compliant front panel
Power	Power Requirement	DC 12V input
Power Adapter		Medical Grade, AC 100V~240V input to DC 12V output

New HDMI/DisplayPort Choice

DisplayPort is a digital display interface standard put forth by the Video Electronics Standards Association (VESA). It defines a new license-free, royalty-free, digital audio/video interconnect, intended to be used primarily between a computer and its display monitor. The new HDMI and DisplayPort connectors on the POC-5/A series enable the connection with the latest video device.



Optical Drive for Image Buring

The POC-517A series has an optical drive at the side of the panel, allowing real-time image burning. The built-in optical drive makes POC-5/A series a perfect image processing terminal.



Reliable Touch Screen Design

The POC-517A series are equipped with a reliable 5-wire resistive type touch screen. The touch screen makes medical order entry much easier when used as an information terminal.



IP 65 Front Panel for Best Reliability

The POC-517A series is equipped with an IP 65 compliant dustproof and waterproof front panel, allowing users to clean with disinfectant without damaging the panel.



Powerful Processing Capability

The POC-517A series is supported by Intel® Core™2 Duo processor. The high performance feature enables complex data processing, perfect for 3D image viewing purpose.

Superior Heat Dissipation

The unique heat sink design for the POC-517A series allows air to easily flow through the cooler and reach all the cooling fins.

Bluetooth Module for Perfect Connections

The preinstalled PACSmate Bluetooth module provides a wireless connection to a wide range of medical peripheral devices. High speed data transmission through the USB 2.0 interface is perfect for processing patient data.



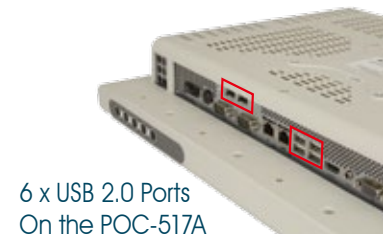
The Best Processing Terminal for Surgery

The sophisticated POC-517A is a high-performance processing terminal for electronic healthcare records. The fanless design ensures the most reliable use in a surgery where the environment is critical. The built-in HDMI and DisplayPort bring dual-display advantage for image comparison. The side optical drive allowing real-time record and image burning is able to meet the requirement of surgical application. The medical certified emission testing ensures no interruption with other medical devices, allowing the most reliable use, even in critical environments like the operating room.



Super Connection Advantage

The POC-517A has six USB ports to connect with numerous medical devices and peripherals, such as printers, barcode readers and scanners. The numerous USB ports allow quick processing of electronic medical record, making the POC-517A a perfect information terminal for e-medical applications.



802.11a/b/g/n Ready with Invisible Antenna

The POC 5/A series has two GbE LAN connectors and wireless 802.11a/b/g/n network connection, enabling better connection quality through accurate network selection. The powerful 802.11a/b/g/n wireless connection increases redundancy and ensures reliable network for real-time medical record processing.

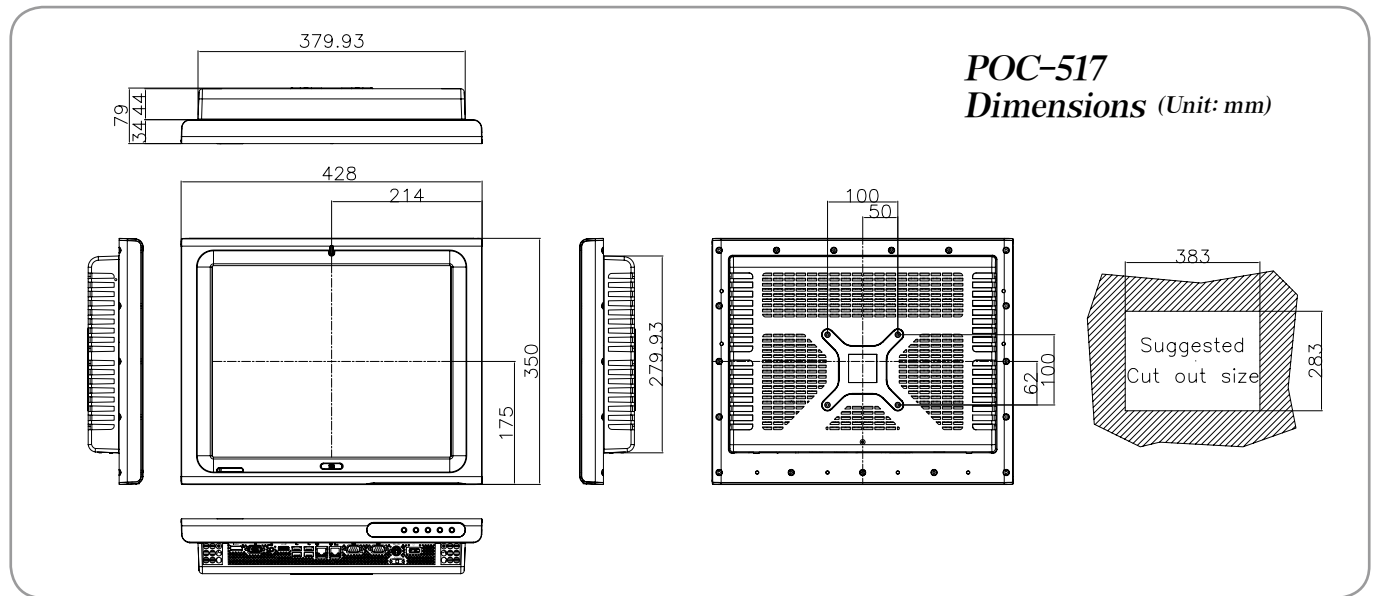
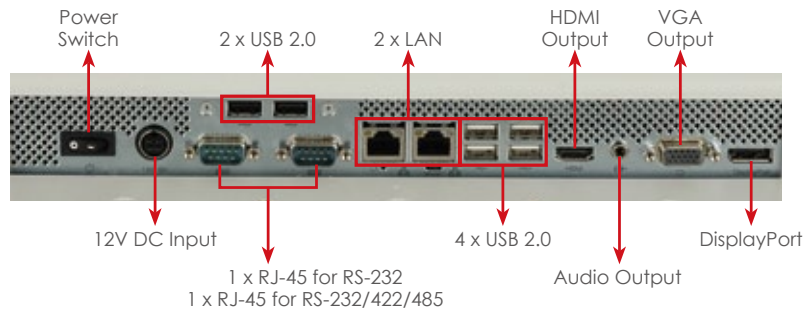


27 times faster than 802.11b, no cables or installation fees



	802.11a	802.11b	802.11g	802.11n
Data Rate (Mbps)	54	11	54	54
Range (Radius Indoor)	35 Meters	38 Meters	38 Meters	250 Meters
Range (Radius Outdoor)	120 Meters	140 Meters	140 Meters	250 Meters
Radio Frequency	5.15 GHz to 5.85 GHz	2.4 GHz to 2.5 GHz	2.4 GHz to 2.5 GHz	2.4 GHz or 5.0 GHz

I/O Interface



Ordering Information

Part No.	Description
POC-517A-P84/OD/2G/320G-R10	17" Fanless Medical Panel PC, with Core™2 Duo 2.26GHz (P8400), 2GB DDR2 RAM, 320GB SATA HDD, Wireless 802.11a/b/g/n, Bluetooth, Touch Screen, Slim DVD-RW, RoHS
POC-517A-T75/OD/2G/320G-R10	17" Fanless Medical Panel PC, with Core™2 Duo 2.2GHz (T7500), 2GB DDR2 RAM, 320GB SATA HDD, Wireless 802.11a/b/g/n, Bluetooth, Touch Screen, Slim DVD-RW, RoHS
POC-517A-T94/OD/2G/320G-R10	17" Fanless Medical Panel PC, with Core™2 Duo 2.53GHz (T9400), 2GB DDR2 RAM, 320GB SATA HDD, Wireless 802.11a/b/g/n, Bluetooth, Touch Screen, Slim DVD-RW, RoHS

IQ Mounting Options

Item	Part No.
Wall Mount Kit	AFLWK-19B
Arm	ARM-11-RS, ARM-31-RS
Stand	STAND-A19, STAND-A21-R10

POC-3174B

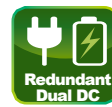
17" Medical Panel PC features Socket P Intel® Core™2 Duo Processor



With UPS Function

Features

- 17" all-in-one medical panel PC
- High performance Intel® Core™2 Duo CPU support
- Built-in battery for UPS function
- Smart AUPS battery monitoring utility
- Network remote management advantage
- User-friendly touch screen



Specifications

Model		POC-3174B
LCD Touch Specification	LCD size (inch)	17"
	Max Resolution	1280 (W) x 1024 (H)
	Brightness (cd/m ²)	380
	Contrast Ratio	1000:1
	LCD Color	16.7M
	Viewing Angle (H-V)	170°/160°
	Touch Screen	5-wire resistive type
System	CPU	Intel® Core™2 Duo Socket P (T7500-2.2G/ Celeron® M 550-2.0G)
	Chipset	Intel® GME965 + ICH8M
	Memory	One 200-pin DDR2 SO-DIMM
	I/O Ports	2 x USB 2.0 3 x RS-232 2 x GbE LAN 1 x VGA 1 x DVI 2 x Audio 2 x PS2 1 x AC Power inlet connector
	Drive Bay	1 x 2.5" SATA HDD 1 x IDE CF card 1 x Slim type DVD combo
	Audio	2 x 3W AMP
	LED Function	Four LED on front panel for System/ Adapter/ Battery/ UPS function
	OSD Function	Five buttons (LCD on/off, Light +/-, Audio +/-)
	Wireless	Wi-Fi
Physical	Construction Material	anti-bacteria Plastic front frame
	Mounting	Wall, Stand and Arm VESA 100mm x 100mm
	Net Weight	8.5 kg
	Dimensions (WxHxD) (mm)	435 x 375 x 123
Environment	Operation Temperature (°C)	0°C ~ 40°C
	IP Level	IP 65 compliant front panel
Power	Power Requirement	DC 12V input
Power Adapter		Medical Grade, AC 100V~240V input to DC 12V output

The Best Integration with Medical Cart

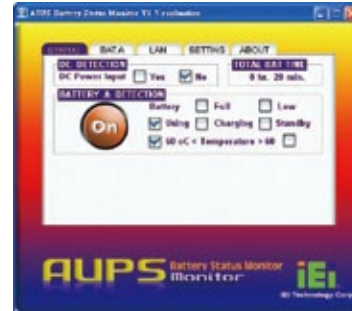
The built-in battery provides the UPS (Uninterruptible Power Supply) function, ensuring the POC-3174B can be reliably used for the medical cart application. The built-in battery allows standby power for data backup and management under sudden power shut-down situations, increasing redundancy for real-time medical record processing. The unique AUPS software facilitates real-time battery monitoring requirement. The network remote management software enables power control for each terminal POC-3174B from a central station, reducing the maintenance cost for the end user.



Power Management by UPS Function

The built-in Li-Ion battery provides power backup during power disruptions, keeping costly and valuable data safe. The smart AUPS software allows users to monitor:

- » current power source
- » charging status
- » battery status
- » battery life



IP 65 Front Panel for Best Reliability

The POC-3174B is equipped with an IP 65 compliant dustproof and waterproof front panel, allowing users to clean with disinfectant without damaging the panel.



Reliable Touch Screen Design

The POC-3174B is equipped with a reliable 5-wire resistive type touch screen. The touch screen makes medical order entry much easier when used as an information terminal.



Powerful Expansion

The POC-3174B has a PCI slot and an Express Card/54 slot, allowing powerful system expansion capability. The expansion slots enable easy connection with video capture cards, communication modules and card reading modules.

Super Connectivity

The POC-3174B supports numerous I/O interfaces, enabling connections with medical devices, such as RFID readers, barcode readers and printers. The POC-3174B is a perfect medical information terminal.

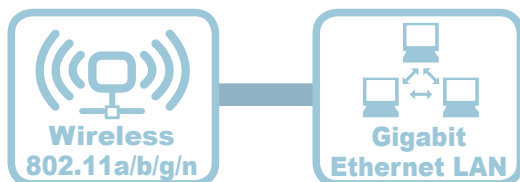


Value-Added Network Connection

The POC-3174B has two Gigabit Ethernet LAN connectors and wireless 802.11a/b/g/n network connection, enabling real-time and reliable medical record transmission.

DVD Writer

The DVD writer on the side panel can be used for writing both DVDs and CDs. High quality images and videos can also be played back using the DVD writer.



Internal Battery

UPS Function

The built-in Li-ion battery provides power backup during power disruptions, keeping costly and valuable data safe. The smart AUPS software allows users to monitor:

- Current power source
- Battery status
- Charging status
- Battery life



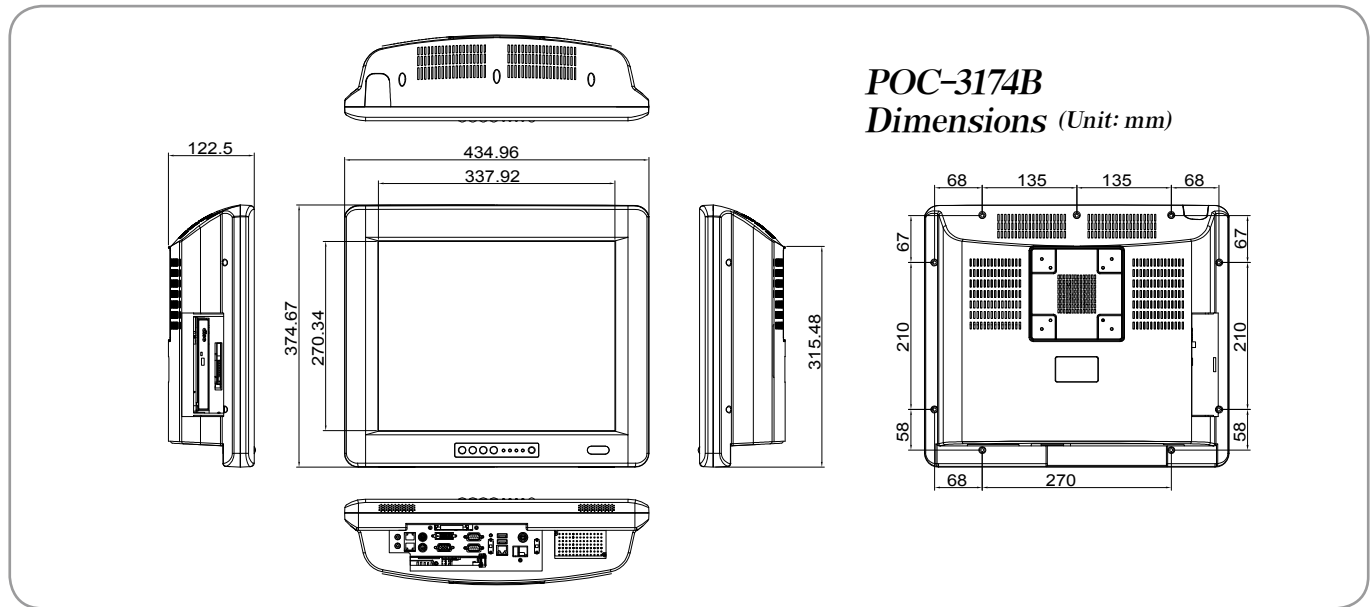
Adapter
DC 12V Power In



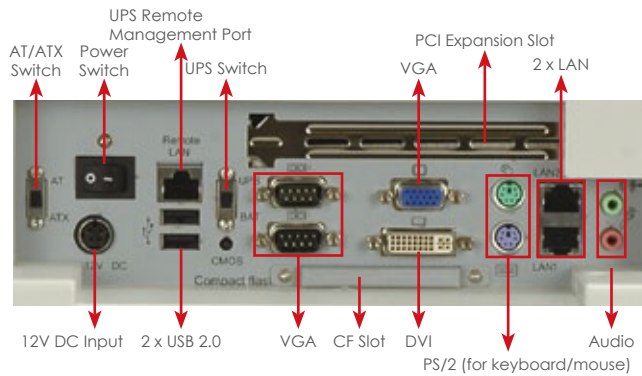
Battery
 • Type: Li-Ion 4S2P
 • Normal Voltage: 14.8V, 3800mAH
 • Backup: 100W/10min



POC-3174B
* Stand is an optional item



I/O Interface



Ordering Information

Part No.	Description
POC-3174B-T75/2G/320G-R12	17" Medical Panel PC, with Core™2 Duo 2.2GHz (T7500), 2GB DDR2 RAM, 320GB HDD, Wireless 802.11a/b/g/n, DVD-RW, Touch Screen, Battery 3800mAH, AC to DC Power Adapter, RoHS
POC-3174B-C55/2G/320G-R12	17" Medical Panel PC, with Celeron® M 2.0GHz (C550), 2GB DDR2 RAM, 320GB HDD, Wireless 802.11a/b/g/n, DVD-RW, Touch Screen, Battery 3800mAH, AC to DC PowerAdapter, RoHS

IQ Mounting Options

Item	Part No.
Arm	ARM-31-RS
Wall Mounting Kit	AFLWK-19B
Stand	STAND-300SW-RS/STAND-A19/STAND-A21-R10/STAND-C19