

RISC Based Panel PC Solution

The IOVU RISC Based PC Series enables the great embedded flexibility for smart factory, building automation, factory control, and medical usage applications. Making use of the low power consumption RISC platform, the IOVU series adopts a fan-less and power efficient design, providing a cost-effective, stable, and easy to use solution to collect, transfer, process, access, and manage data.



Factory Automation



Home Automation



Industrial Control

RISC Based Panel PC Product Line



Windows CE Series

- Powered by Windows® CE6.0
- Built-in Ethernet LAN
- Built-in RS-232/422/485 port
- Resistive type touchscreen
- Low power consumption



Android Series

- Freescale™ i.MX6 Cortex™-A9 quad-core 1.0 GHz
- Projected capacitive touchscreen
- Built-in Wi-Fi + BT
- Android 4.2 OS
- One CAN 2.0 and four GPIO
- Support Power over Ethernet

Selection Guide

Windows CE Series

Platform	4.3"	5.7"	7"
Samsung S3C2416 400 MHz	IOVU-430S		
XScale® PXA310 624 MHz		IOVU-572M	
Samsung S3C6410 ARM11 677 MHz			IOVU-752S

Android Series

Platform	7"	10"	12"	15"	17"
Freescale™ i.MX6 Cortex™-A9 quad-core 1.0 GHz	IOVU-07F-AD	IOVU-10F-AD	IOVU-12F-AD	IOVU-15F-AD	IOVU-17F-AD

1

IEIMobile Solutions

2

Automation Panel PC Solutions

3

Healthcare Panel PC Solution

4

Industrial System

5

ORing Network Communication

6

Automation Control

7

Optional Peripherals

Cortex™-A9 on Freescale™ i.MX 6 Series

■ Freescale™ i.MX6 Cortex™-A9 Panel PC

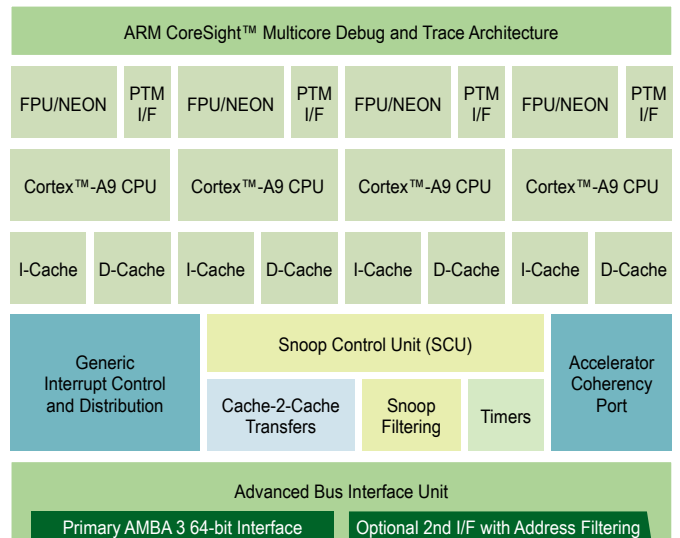
With 12/15/17-inch touchscreen, the IOVU-12/15/17 series wall-mounted PC integrates energy-efficient Freescale™ quad-core processors with Android 4.2 operating system. The IOVU-12/15/17 offers a wide range of wireless communication technologies such as Wi-Fi 802.11b/g/n and Bluetooth 4.0 that allow mobile service providers to stay seamlessly connected. With regard to data capturing functions, the IOVU-12/15/17 supports 10/100/1000 Base-T Ethernet, four digital input, four digital output, one RS-232/485 and one CAN bus, making the IOVU-12/15/17 Android turn-key ready system a perfect HMI solution for industrial field.

- 12/15/17" LED backlight active-matrix TFT
- Projected capacitive touchscreen
- Freescale™ i.MX6 Cortex™-A9 quad-core (1.0GHz) CPU

- Android 4.2 OS
- One 10/100/1000Mbps Power over Ethernet IEEE 802.3at
- CAN 2.0b, 4 x DIO (configurable by software)

i.MX 6 QuadPlus	i.MX 6 Quad
Ultimate Performance • Highly optimized 2D/3D graphics • Enhanced DRAM controller	High Performance • High-end 2D and 3D graphics • Dual stream HD video
i.MX 6 DualPlus	i.MX 6 Dual
Extreme 3D Graphics • Highly optimized 2D/3D graphics • Enhanced DRAM controller	Advanced 3D Graphics • High-end 2D and 3D graphics • Dual stream HD video
i.MX 6 DualLite	i.MX 6 Solo
3D Graphics • Advanced 2D and 3D graphics • HD video	Multimedia • 2D and 3D graphics • HD video
i.MX 6 SoloX	i.MX 6 SoloLite
Secure Processing • With Cortex™-M4 core • 2D and 3D graphics	Multimedia/eReader • 2D graphics • Low power
i.MX 6 UltraLite	i.MX 7 Solo
Efficient and Secure • Cortex™-A7 core • Enhanced security	Ultimate Power Efficiency • Cortex™-A7 with Cortex™-M4 • MIPI CSI/DSI
i.MX 7 Dual	
Efficient Performance • Dual Cortex™-A7 with Cortex™-M4 • EPD panel controller	

■ Cortex™-A9 MPCore



1
IEIMobile
Solutions

2
Automation
Panel
Solutions

3
Healthcare
Panel PC
Solution

4
Industrial
System

5
ORing
Network
Communication

6
Automation
Control

7
Optional
Peripherals

■ Wide Temperature

The IOVU-12/15/17 series supports wide range temperature from -20°C to 60°C and is equipped with IP 65 compliant front panel for harsh environments.

■ Wire or Wireless Connection

The IOVU-12/15/17 series supports 802.11b/g/n and Bluetooth for connecting to various devices, allowing the IOVU to be deployed into diverse applications for smart building or smart factory. In addition, the IOVU series has a Power over Ethernet (PoE, IEEE802.3at) port for providing power and passing data to the system through a single Ethernet cable.

■ External I/O Connectors

The IOVU-12/15/17 series has a 10-pin I/O connector on the bottom panel for connecting external peripheral devices:

- 1 x CAN 2.0
- 4 x GPIO

Pin	1	2	3	4	5
Description	GND	ESD_GPIO1	ESD_GPIO2	GND	ESD_GPIO3
Pin	6	7	8	9	10
Description	ESD_GPIO4	GND	CAN_L	CAN_H	GND

■ DC Input and Terminal Block

The IOVU-12/15/17 equips with two types of 12V ~ 36V DC power input connectors. The locations of the power connectors are shown in the right diagram.

The pinouts of the power terminal block are listed in the following table.

Pin	1	2
Description	DC-IN (12V~36V)	GND



RISC Based Panel PC Selection Guide



LCD Size		4.3"	5.7"	7"	7"
Model Name		IOVU-430S	IOVU-572M	IOVU-752S	IOVU-07F-AD
Display	LCD Color	262 K	262 K	262 K	WSVGA
	Display Resolution	WQVGA	VGA	WVGA	1024(w) X 600(H)
	LCD Brightness (cd/m²)	500	400	500	500 nits
	Dot Pitch (mm)	0.066(H) x 0.198(V)	0.06(H) x 0.18(V)	0.1905(H) x 0.1905(V)	0.05(W) x 0.15(H)
	Viewing Angle (H-V)	140° / 120°	140° / 100°	140° / 130°	150° / 145°
	Backlight MTBF	20000	50000	50000	20000
	Touch Screen	ResistiveType	Resistive Type	Resistive Type	Capacitive Type
	Multimedia Support	MPEG-1/2/4/H.263	MPEG 1	MPEG-4/H.263/H.264	MPEG-2/4, H.263, H.264
System	CPU	Samsung S3C2416 400 MHz	XScale® PXA310 624 MHz	Samsung S3C6410 ARM11 677 MHz	Freescale™ i.MX6 Cortex™-A9 quad core 1.0 GHz
	Operating System	Win CE 6.0	Win CE 6.0	Win CE 6.0	Android 4.2.2
	Bootloader Storage	128MB	128 MB	128 MB	4G eMMC Nand Flash
	RAM	128 MB SDRAM	256 MB DDR2	256 MB DDR2	1GB DDR3 SDRAM on board
	Program Storage Area	Bootloader Storage			
I/O and Communication	I/O Interface	1 x RS-232/422/485 COM port (software configurable) 1 x Reset button 1 x 10/100Mbps LAN 1 x USB 1.1 host 1 x CAN-bus 2.0b 6 x GPIO (voltage range 2.97V~3.63V) 1 x 2-pin terminal block DC input 1 x miniSD card slot	1 x RS-232/422/485 (software configurable) 2 x 10/100Mbps LAN 2 x USB 1.1 host 1 x SD card slot 1 x Reset button 1 x AT mode power switch 1 x 2-pin terminal block DC input	1 x RS-232 COM port (software configurable) 1 x 10/100Mbps LAN (supports PoE) 2 x USB 2.0 host 1 x Reset button 1 x On/Off power switch 1 x Power jack	1 x 10/100/1000 Mbps Ethernet 2 x USB 2.0 Host 1 x RS-232/422/485 support software controllable(DB9) 1 x RS232 Full-Function(DB9) 1 x SD Slot (up to 32GB) 1 x CAN 2.0 4 x DIO 1 x Mic 1 x 2MP front Camera
	Audio	2 x 1W speaker	2 x 1.5W speaker	2 x 1.5W speaker	1 x 1.5W Speaker
	Wireless LAN	802.11a/b/g/n	802.11a/b/g/n	N/A	1 x BT+WiFi Controller for 802.11b/g/n
Dimensions	Construction Material	ABS + PC Plastic	ABS + PC Plastic	Aluminum (Al 6061)	Front panel: ABS+PC Plastic ; Back cover: Metal
	Net Weight (kg)	0.6	0.7	1.2	
	Front Panel Color	Black	Black	Silver	Black
	Dimensions (W x H x D mm)	145 x 104 x 34	180 x 135 x 46	188 x 124 x 40	210(W) x 154(H) x 40.1(D) mm
Environmental and Power	Operating Temperature (°C)	0°C~50°C	-10°C~ 60°C	-10°C~ 60°C	0~50°C
	Front Panel Protection	IP65 compliant	IP64 compliant	IP64 compliant	IP54 compliant
	Power Mode	AT	AT	AT	
	Power Requirement	12~36V DC input	12~36V DC input	9-30V DC input	9~30V DC input
	Power Consumption	7 W	14 W	14 W	12V , 1.55A
	Vibration and Shock	1. Axes: 3 axes (Vertical / Transverse / Longitudinal) 2. 10 ~ 500Hz, 60min/axis 3. Equivalent to Z: 2.18Grms, X: 1.6Grms, Y: 1.96Grms			
	Humidity	5%-90% RH	5%-90% RH	5%-90% RH	5% ~ 90%RH (no-condensing)

- 1 IEIMobile Solutions
- 2 Automation Panel Solutions
- 3 Healthcare Panel PC Solution
- 4 Industrial System
- 5 ORing Network Communication
- 6 Automation Control
- 7 Optional Peripherals

RISC Based Panel PC Selection Guide



LCD Size		10"		12"	15"	17"
Model Name		IOVU-10F-AD	IOBA-10F-AD	IOVU-12F-AD	IOVU-15F-AD	IOVU-17F-AD
Display	LCD Color	16.2M	262k	16.2M	16.2M	16.7M
	Display Resolution	1280(W) x 800(H)	1280(W) x 800(H)	1024(W) x 768(H)	1024(W) x 768(H)	1280(W) x 1024(H)
	LCD Brightness (cd/m ²)	400 nits	300 nits	600 nits	400 nits	350 nits
	Dot Pitch (mm)	0.1695 x 0.1695	0.1695 x 0.1695	0.24 x 0.24	0.297x 0.297	0.264 x 0.264
	Viewing Angle (H-V)	85/85/85/85 Deg.	85/85/85/85 Deg.	160° / 140°	160° / 140°	170° / 160°
	Backlight MTBF	30000	20000	50000	50000	50000
	Touch Screen	Project Capacitive	Project Capacitive	Projected capacitive flat touch	Projected capacitive flat touch	Projected capacitive flat touch
	Multimedia Support	MPEG-2/4, H.263, H.264				
System	CPU	Freescle i.MX6 Cortex A9 Quad-Core 1.0GHz	Freescle i.MX6 Cortex A9 Quad-Core 1.0GHz	Freescle™ i.MX6 Cortex™-A9 quad core 1.0 GHz	Freescle™ i.MX6 Cortex™-A9 quad core 1.0 GHz	Freescle™ i.MX6 Cortex™-A9 quad core 1.0 GHz
	Operating System	Android 4.2.2	Android 5.1	Android 4.2.2	Android 4.2.2	Android 4.2.2
	Bootloader Storage	4G eMMC Nand Flash	8G eMMC Nand Flash	8G eMMC Nand Flash	8G eMMC Nand Flash	8G eMMC Nand Flash
	RAM	1GB DDR3 SDRAM	2GB DDR3 SDRAM	2GB DDR3 SDRAM	2GB DDR3 SDRAM	2GB DDR3 SDRAM
	Program Storage Area	Bootloader Storage				
I/O and Communication	I/O Interface	1 x 10/100/1000 Mbps Ethernet w/ POE (WAN) 2 x USB 2.0 1 x RS-232/422/485 support software controllable(DB9) 1 x RS-232 Full-Function (DB9) 1 x 13.56MHz 1 x DC jack 1 x On/Off power switch 1 x Reset button 1 x SD slot (Hidden)	1 x 10/100/1000 Mbps Ethernet w/ POE (WAN) 1 x 10/100/1000 Mbps Ethernet w/o POE (LAN) 2 x USB 2.0 1 x RS-232/422/485 support software controllable(DB9) 1 x RS-232 Full-Function (DB9) 1 x 13.56MHz 6 x Sensor connectors 8 x DIO 1 x DC jack 1 x Reset button 1 x SD slot (Hidden)	1 x 10/100/1000 Mbps Power over Ethernet 2 x USB 2.0 host 1 x RS-232 full function (DB-9) 1 x RS-232/422/485 by DB-9 (software controllable) 1 x 12V~36V DC terminal block 1 x SD slot (up to 32GB) (Hidden) 1 x CAN 2.0 4 x GPIO 1 x DC jack 1 x On/Off power switch 1 x Reset button	1 x 10/100/1000 Mbps Power over Ethernet 2 x USB 2.0 host 1 x RS-232 full function (DB-9) 1 x RS-232/422/485 by DB-9 (software controllable) 1 x 12V~36V DC terminal block 1 x SD slot (up to 32GB) (Hidden) 1 x CAN 2.0 4 x GPIO 1 x DC jack 1 x On/Off power switch 1 x Reset button	1 x 10/100/1000 Mbps Power over Ethernet 2 x USB 2.0 host 1 x RS-232 full function (DB-9) 1 x RS-232/422/485 by DB-9 (software controllable) 1 x 12V~36V DC terminal block 1 x SD slot (up to 32GB) (Hidden) 1 x CAN 2.0 4 x GPIO 1 x DC jack 1 x On/Off power switch 1 x Reset button
	Audio	1 x 2W Speaker	1 x 2W Speaker	2 x 3W Speaker	2 x 3W Speaker	2 x 3W Speaker
	Wireless LAN	BT4.0 + Wi-Fi Controller for 802.11b/g/n	BT4.0 + Wi-Fi Controller for 802.11 a/b/g/n	BT4.0+WiFi Controller for 802.11 b/g/n	BT4.0+WiFi Controller for 802.11 b/g/n	BT4.0+WiFi Controller for 802.11 b/g/n
	Dimensions	Construction Material: Plastic front cover and metal rear cover Front Panel Color: White Dimensions (W x H x D mm): 293 x 209.5 x 44.49	Construction Material: Plastic front cover and rear cover Front Panel Color: White Dimensions (W x H x D mm): 282.5 x 174.3 x 14.7	Construction Material: Aluminum front cover and sheet metal rear cover Front Panel Color: Black Dimensions (W x H x D mm): 322.2 x 262.2 x 45.5	Construction Material: Aluminum front cover and sheet metal rear cover Front Panel Color: Black Dimensions (W x H x D mm): 378.5 x 303 x 48.2	Construction Material: Aluminum front cover and sheet metal rear cover Front Panel Color: Black Dimensions (W x H x D mm): 408.4 x 341.4 x 54.3
Environmental and Power	Operating Temperature (°C)	0°C ~ 40°C	0°C ~ 50°C	-20°C ~ 60°C	-20°C ~ 60°C	-20°C ~ 60°C
	Front Panel Protection	IP54 compliant	IP64 compliant	IP65 compliant	IP65 compliant	IP65 compliant
	Power Requirement	9~30V	9~30V	12~36V DC	12~36V DC	12~36V DC
	Power Consumption	N/A	N/A	36V @ 0.8A	36V @ 0.72A	36V @ 0.86A
	Vibration and Shock	1. Operating Random Vibration Mode A. Axis: 3 axes (Vertical / Transverse / Longitudinal). B. 10-500 Hz, 60min/axis. C. Equivalent to Z:1.04 Grms X:0.204 Grms Y:0.74 Grms 2. Non Operating Random Mode A. Axis: 3 axes (Vertical / Transverse / Longitudinal). B. 20-1000 Hz, 60min/axis C. 0.04g2/Hz				
	Humidity	5% ~ 90%RH (no-condensing)				

1 IEIMobile Solutions

2 Automation Panel Solutions

3 Healthcare Panel PC Solution

4 Industrial System

5 ORing Network Communication

6 Automation Control

7 Optional Peripherals

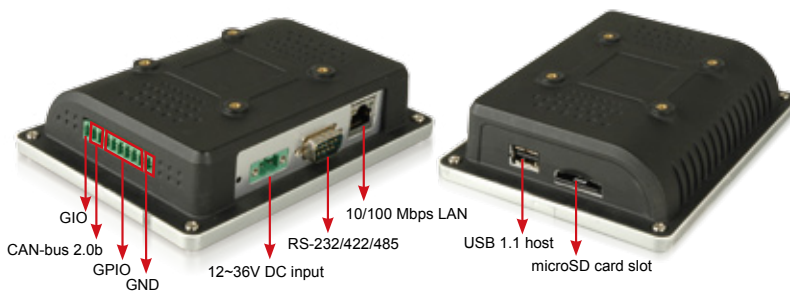
IOVU-430S

4.3" TFT WQVGA LCD with resistive touchscreen

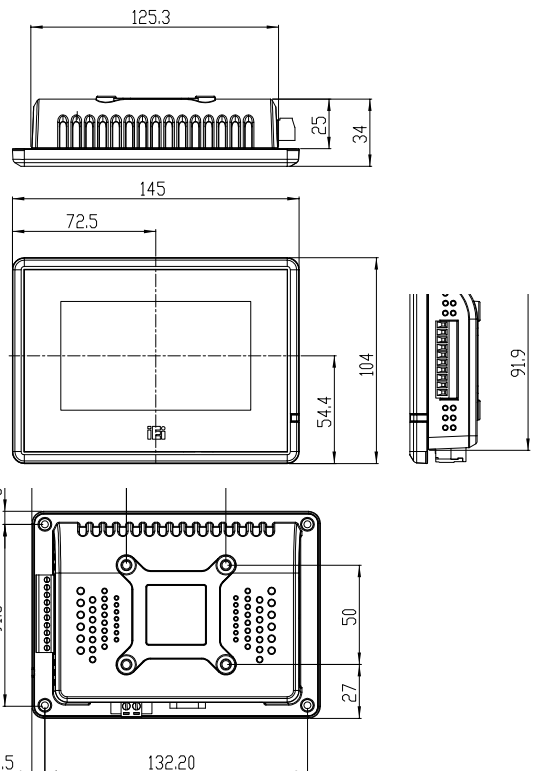


Features

- 4.3" TFT WQVGA LCD with resistive touchscreen
- Samsung S3C2416 400MHz CPU
- Powered by Windows® CE 6.0
- Built-in Ethernet LAN and optional Wi-Fi
- Built-in CAN-bus 2.0b and GPIO
- Built-in RS-232/422/485 Port
- Support .Net Frame Work V3.5



Dimensions (Unit: mm)



Ordering Information

Part No.	Description
IOVU-430S-CE6/ST-R11	RISC Panel PC, 4.3" LCD, ARM S3C2416X40-Y640 400MHz CPU, 128MB SDRAM, Win CE6.0, RoHS
IOVU-430S-CE6/ST/WL-R11	RISC Panel PC, 4.3" LCD, ARM S3C2416X40-Y640 400MHz CPU, 128MB SDRAM with 802.11a/b/g/n Wi-Fi function, Win CE6.0, RoHS

Packing List

1 x IOVU-430S
1 x Null modem cable
1 x Screw kits
1 x Utility CD includes SDK, utilities, and technical document
1 x Touch pen (only for single touch mode)

Options

Part No.	Description
63040-010060-140-RS	Adapter Power;FSP;FSP060-DIBAN2;9NA0605310;;Vin:90~264VAC;60W;Dim:62.0*110*31.5mm;;Cable=1200mm;Erp(NO LOAD 0.21W);Vout:12VDC;Bare Wire;CCL;RoHS
IOVU-430M-IWC/B-R10	In-wall cage (Black)
IOVU-430M-IWC/W-R10	In-wall cage (White)

1
IEIMobile Solutions

2
Automation Panel Solutions

3
Healthcare Panel PC Solution

4
Industrial System

5
ORing Network Communication

6
Automation Control

7
Optional Peripherals

IOVU-572M

5.7" TFT VGA LCD with resistive touchscreen

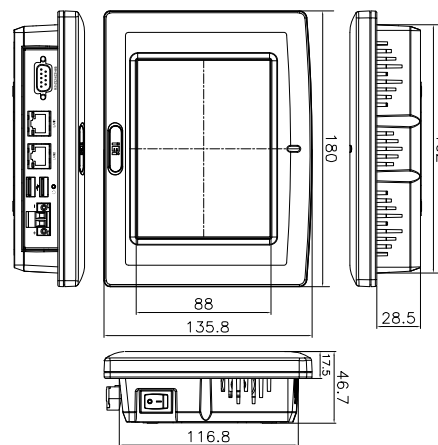
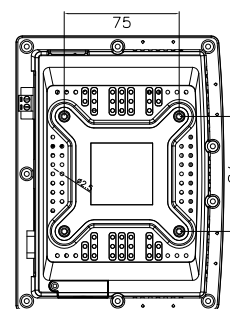


Features

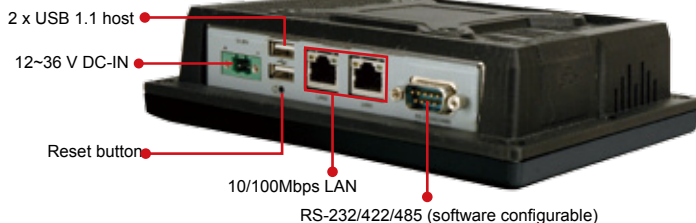
- 5.7" TFT VGA LCD with resistive touchscreen
- XScale® PXA310 624MHz CPU
- Powered by Windows® CE 6.0
- Built-in Ethernet LAN and Wi-Fi
- Built-in RS-232/422/485 Port
- Support .Net Frame Work V3.5



IOVU-572M Dimensions (Unit: mm)



1
IEIMobile Solutions



2
Automation Panel Solutions

Ordering Information

Part No.	Description
IOVU-572M-CE6/-R12	5.7" LCD, Marvell PXA310 624MHZ, built-in Wi-Fi, WIN CE6.0, RoHS
IOVU-572M-CE6/WOWL/-R12	RISC PANEL PC, 5.7" LCD, Marvell PXA310 624MHZ, NO WIFI, WIN CE6.0, RoHS

3
Healthcare Panel PC Solution

Packing List

- 1 x Utility CD includes application tools, SDK, and technical document
- 1 x Null modem cable
- 1 x Touch pen

4
Industrial System

5
ORing Network Communication

Options

Part No.	Description
AFLPK-12	Panel mounting kit
AFLWK-12	VESA 75 wall mounting kit
ARM-11-RS	LCD monitor/PPC arm kit, loading capacity from 3kg~7kg
STAND-B08	LCD MONITOR/PPC STAND, FOR AFL and ACT SERIES, VESA 75, SUPPORT UP TO 5 KG, ROHS
VSTAND-A07	LCD monitor/PPC stand V type for VESA 75, 0~90 degree adjustable hinge and supports up to 2.5 kg
63040-010060-140-RS	Adapter Power; FSP; FSP060-DIBAN2; 9NA0605310;; Vin:90~264VAC; 60W; Dim:62.0*110*31.5mm;; Cable=1200mm; Erp(NO LOAD 0.21W); Vout:12VDC; Bare Wire; CCL; RoHS

6
Automation Control

7
Optional Peripherals

IOVU-752S

7" TFT WVGA LCD with resistive touchscreen

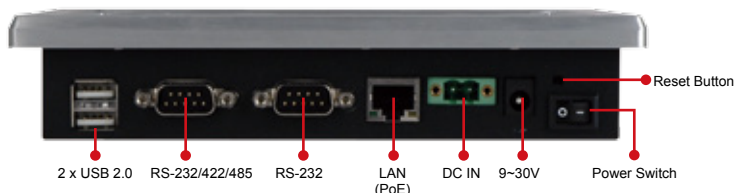
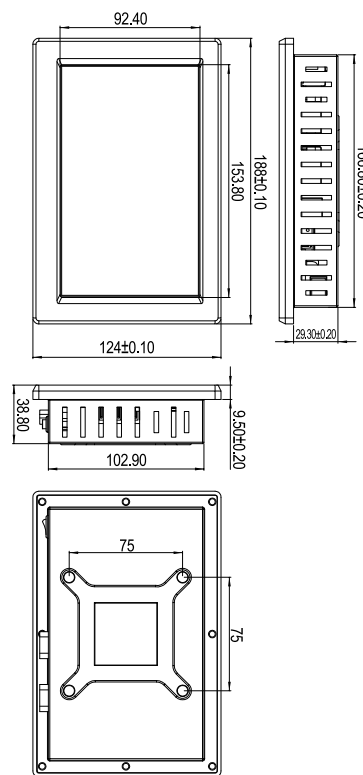


Features

- 7" TFT WVGA LCD with resistive touchscreen
- Samsung S3C6410 ARM11 677MHz CPU
- Powered by Windows® CE 6.0
- Built-in Ethernet LAN
- Built-in RS-232/422/485 Port
- Supports Power over Ethernet (PoE)
- Multimedia support for MPEG-4/H.263/H.264
- Support .Net Frame Work V3.5



IOVU-752S Dimensions (Unit: mm)



Ordering Information

Part No.	Description
IOVU-752S-CE6/-R10	7" LCD, SAMSUNG S3C6410X66-YB40 667MHz with PoE function, WIN CE6.0, RoHS

Packing List

1 x Utility CD includes application tools, SDK, and technical document
1 x Null modem cable
1 x Touch pen
1 x Screw kit

Options

Part No.	Description
AFLPK-12	Panel mounting kit
AFLWK-12	VESA 75 wall mounting kit
ARM-11-RS	LCD monitor/PPC arm kit, loading capacity from 3kg~7kg
STAND-B08	LCD MONITOR/PPC STAND, FOR AFL and ACT SERIES, VESA 75, SUPPORT UP TO 5 KG, ROHS
VSTAND-A07	LCD monitor/PPC Stand V type for VESA 75, 0~90 degree adjustable hinge and support up to 2.5 Kg
63040-010060-130-RS	Adapter Power; FSP; FSP060-DIBAN2; 9NA0605309; Vin: 90~264VAC; 60W; Dim: 62.0*110*31.5mm; Plug=9.5mm; Cable=1500mm; Erp(NO LOAD 0.21W); Vout: 12VDC; Φ2.5/Φ5.5; CCL; RoHS
63040-010060-140-RS	Adapter Power; FSP; FSP060-DIBAN2; 9NA0605310; Vin: 90~264VAC; 60W; Dim: 62.0*110*31.5mm; Cable=1200mm; Erp(NO LOAD 0.21W); Vout: 12VDC; Bare Wire; CCL; RoHS

1
IEIMobile Solutions

2
Automation Panel Solutions

3
Healthcare Panel PC Solution

4
Industrial System

5
ORing Network Communication

6
Automation Control

7
Optional Peripherals

IOVU-07F-AD

7" RISC-based Panel PC



Features

- 7" LED Backlight Color Active Matrix TFT
- Projected Capacitive Touchscreen
- Freescale™ i.MX6 Cortex™-A9 Quad-Core (1.0GHz) CPU
- Android 4.2 OS
- Support 10/100/1000Mbps Power over Ethernet
- Optional Wi-Fi+BT, Camera
- CAN 2.0b, 4 x DIO (configurable by software)

Specifications



Model		IOVU-07F-AD
Display	LCD Size	7 " TFT LCD
	Max. Resolution	1024(W) x 600(H) WSVGA
	Brightness (cd/m ²)	500 cd/m ²
	Viewing Angle	75/75/70/75 Deg.
	Touch Screen	2 point projected capacitive
System	CPU	Freescale™ i.MX6 Cortex™-A9 quad-core 1.0GHz
	Operating System	Android 4.2
	Memory	1GB DDR3 SDRAM
	Boot Flash	4GB eMMC iNAND
Communication	Wireless LAN	Wi-Fi 802.11b/g/n (optional)
	Bluetooth	Bluetooth Class 4.0 + HS (optional)
Data Collection	CAN	Can 2.0b
	Camera	2-megapixel CMOS front camera (optional)
I/O Interface	USB	2 x USB 2.0
	LAN	10/100/1000Mbps Power over Ethernet for POE version
	RS-232	1 x RS-232/422/485 supports software configurable (DB-9) 1 x RS-232 full-function (DB-9)
	DIO	4 x DIO
Environment	Audio	1 x 1.5W speaker
	Operating Temperature	0°C ~ 50°C
	Storage Temperature	-10°C ~ 60°C
	IP Level	IP 54 compliant front panel
	Humidity	5%~90%, non-condensing

1

IEiMobile Solutions

2

Automation Panel Solutions

3

Healthcare Panel PC Solution

4

Industrial System

5

ORing Network Communication

6

Automation Control

7

Optional Peripherals

Ordering Information

Part No.	Description
IOVU-07F-AD-ET-R11	7" TFT-LCD; Freescale™ i.MX6 Cortex™-A9 Quad-Core 1.0 GHz CPU; CAN; Android 4.2
IOVU-07F-AD-WBC-R11	7" TFT-LCD; Freescale™ i.MX6 Cortex™-A9 Quad-Core 1.0 GHz CPU; CAN; Wi-Fi/Bluetooth; Camera; Android 4.2
IOVU-07F-AD-WBC-POE-R11	7" TFT-LCD; Freescale™ i.MX6 Cortex™-A9 Quad-Core 1.0 GHz CPU; CAN; Wi-Fi/Bluetooth; Camera; POE; Android 4.2

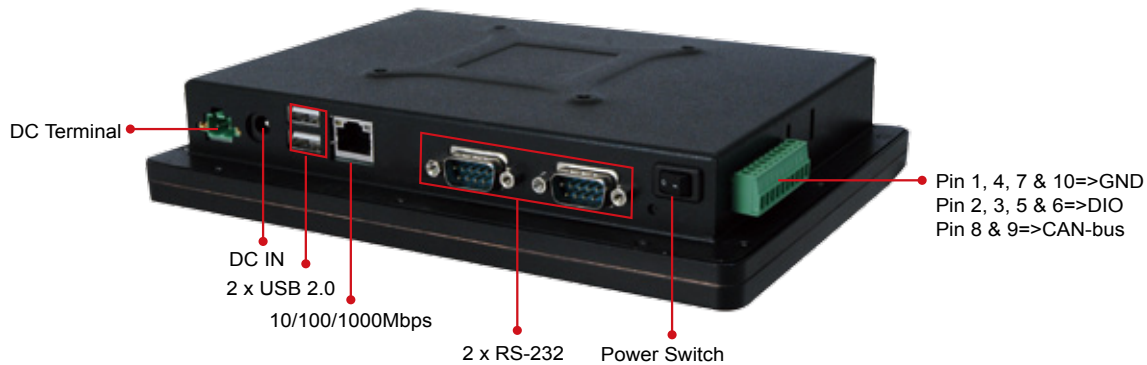
Packing List

1 x Utility CD includes application tools, SDK, and technical document

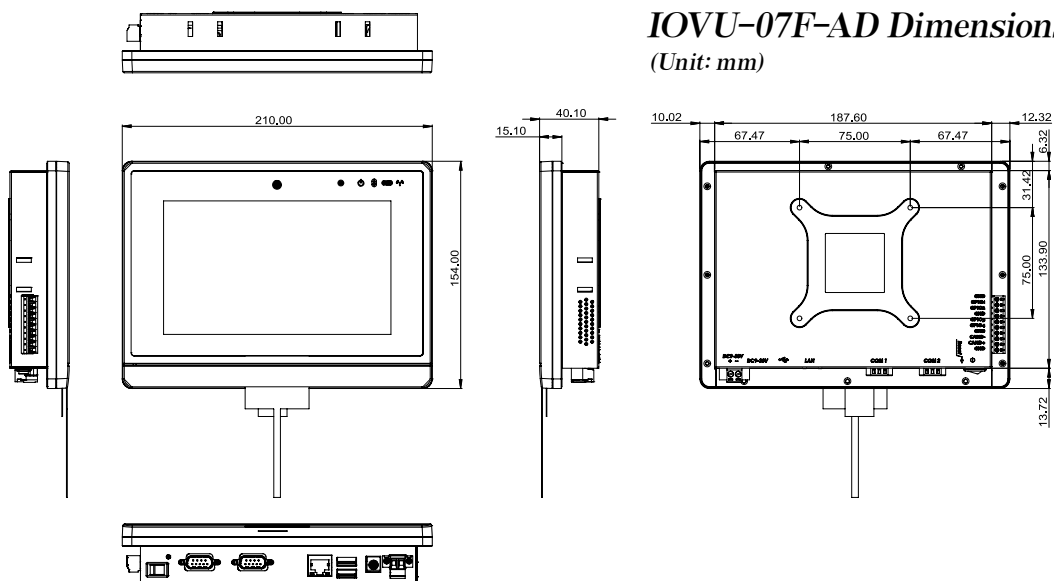
1 x Null modem cable

Options

Part No.	Description
AFLPK-12	Panel mounting kit
AFLWK-12	VESA 75 wall mounting kit
ARM-11-RS	LCD monitor / PPC arm kit, loading capacity from 3 kg ~ 7 kg
STAND-B08	LCD monitor / PPC stand kit for VESA 75 and supports up to 5 kg
VSTAND-A07	LCD monitor / PPC stand V type for VESA 75, 0~90 degree adjustable hinge and supports up to 2.5 kg
63040-010060-130-RS	Adapter Power;FSP;FSP060-DIBAN2;9NA0605309;;Vin:90~264VAC;60W;Dim:62.0*110*31.5mm;Plug=9.5mm;Cable=1500mm;Erp (NO LOAD 0.21W);Vout:12VDC;Φ2.5/Φ5.5;CCL;RoHS
63040-010060-140-RS	Adapter Power;FSP;FSP060-DIBAN2;9NA0605310;;Vin:90~264VAC;60W;Dim:62.0*110*31.5mm;;Cable=1200mm;Erp(NO LOAD 0.21W);Vout:12VDC;Bare Wire;CCL;RoHS



IOVU-07F-AD Dimensions (Unit: mm)



- 1 IEIMobile Solutions
- 2 Automation Panel Solutions
- 3 Healthcare Panel PC Solution
- 4 Industrial System
- 5 ORing Network Communication
- 6 Automation Control
- 7 Optional Peripherals

IOVU-10F-AD

10.1" RISC Base Panel PC



Features

- 10.1" 1280x800 LCD
- Project Capacitive Touch Screen
- CPU: Freescale i.MX6 Cortex-A9 Quad-Core 1GHz
- OS: Android 4.2.2
- Boot Flash: 4GB eMMC Nand Flash
- RAM: 1GB DDR3 SDRAM on board



Specifications

Model	IOVU-10F-AD
LCD Size	10.1" (16:9)
Resolution	1280(W) x 800(H)
Brightness (cd/m2)	400
Contrast Ratio	800:1
LCD Color	16.2M
Pixel Pitch (mm)	0.1695 x 0.1695
Viewing Angle	85/85/85/85 Deg.
Backlight MTBF(hrs)	30000
Touch Screen	Project Capacitive
CPU	Freescale i.MX6 Cortex A9 Quad-Core 1.0GHz
RAM	1GB DDR3 SDRAM
Boot Flash	4GB eMMC Nand Flash
Boot Flash OS Support	Android 4.2.2
Input / Output	1 x 10/100/1000 Mbps 2 x USB 2.0 1 x RS-232/422/485 support software controllable(DB9) 1 x RS-232 Full-Function (DB9) 1 x 13.56MHz 1 x DC jack 1 x On/Off power switch 1 x Reset button 1 x SD slot (Hidden)
Audio	1 x 2W Speaker
Thermal Solution	Fanless
Wireless	BT4.0 + Wi-Fi Controller for 802.11b/g/n
Construction Material	Plastic front cover and metal rear cover
Mounting	Panel, Wall, Stand, VESA Mount 100mm x 100mm
Color	White
Dimensions (WxHxD)(mm)	293x209.5x44.49
Operating Temperature	0°C ~ 40°C
Storage Temperature	-10°C ~ 60°C
Humidity	5%~90% non-condensing
IP Level	IP54 front panel only
Power Requirement	9~30V DC

1

IEIMobile Solutions

2

Automation Panel Solutions

3

Healthcare Panel PC Solution

4

Industrial System

5

ORing Network Communication

6

Automation Control

7

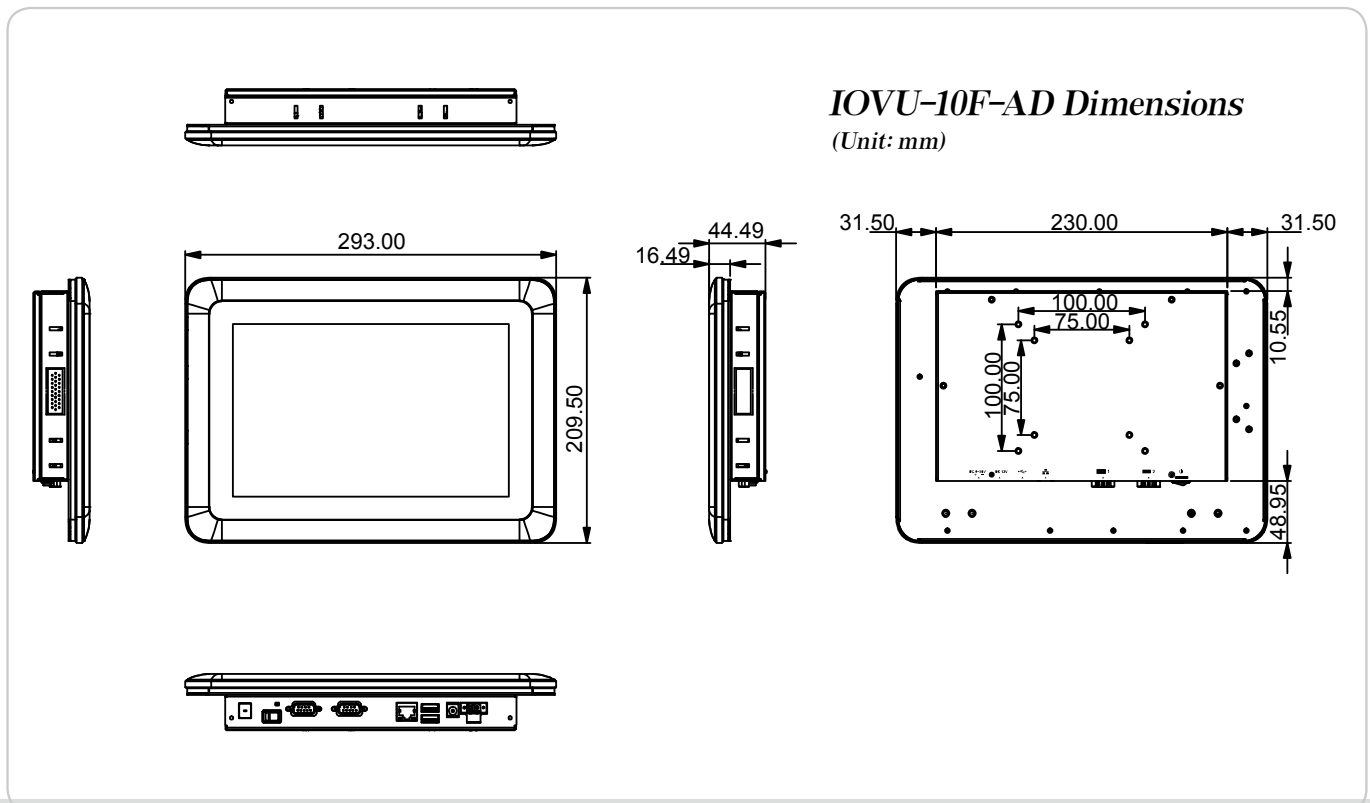
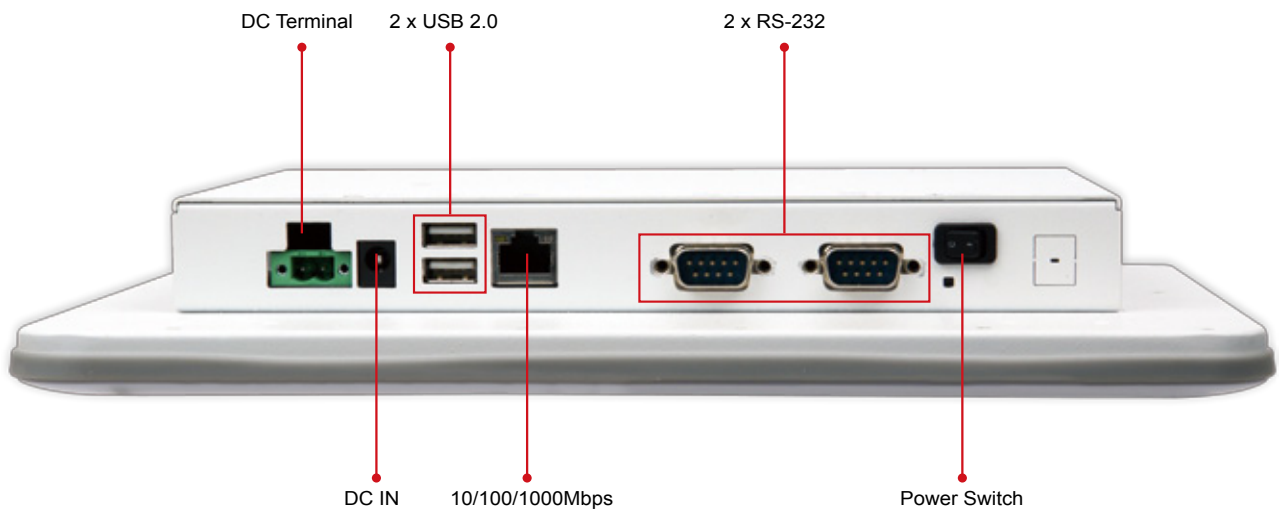
Optional Peripherals

Ordering Information

Part No.	Description
IOVU-10F-AD-WB-ET-R10	10.1" TFT-LCD, Freescale i.MX6 Cortex-A9 QC 1GHz, Wi-Fi/BT, 13.56MHz RFID, Android 4.2

Options

Part No.	Description
Power Adapter	63040-010060-130-RS (Vin:90~264VAC;60W;Vout:12VDC)
ARM	ARM-11-RS
Stand	STAND-A12-RS
Wall Mount Kit	AFLWK-19B
Panel Mount Kit	FPK-01-R10



- 1 IEIMobile Solutions
- 2 Automation Panel Solutions
- 3 Healthcare Panel PC Solution
- 4 Industrial System
- 5 ORing Network Communication
- 6 Automation Control
- 7 Optional Peripherals

IOBA-10F-AD

10.1" RISC Base Panel PC

Preliminary



Features

- 10.1" 1280x800 LCD
- Project Capacitive Touch Screen
- CPU: Freescale i.MX6 Cortex-A9 Quad-Core 1GHz
- OS: Android 5.1
- Boot Flash: 8GB eMMC Nand Flash
- RAM: 2GB DDR3 SDRAM on board
- 6 X IOT Sensor connectors



Specifications

Model	IOBA-10F-AD
LCD Size	10.1 " (16:9)
Resolution	1280(W) x 800(H)
Brightness (cd/m ²)	300
Contrast Ratio	800:1
LCD Color	262K
Pixel Pitch (mm)	0.1695 x 0.1695
Viewing Angle	85/85/85/85 Deg.
Backlight MTBF(hrs)	20000
Touch Screen	Project Capacitive
CPU	Freescale i.MX6 Cortex A9 Quad-Core 1.0GHz
RAM	2GB DDR3 SDRAM
Boot Flash	8GB eMMC Nand Flash
Boot Flash OS Support	Android 5.1
Input / Output	1 x 10/100/1000 Mbps Ethernet w/ POE (WAN) 1 x 10/100/1000 Mbps Ethernet w/o POE (LAN) 2 x USB 2.0 1 x RS-232/422/485 support software controllable(DB9) 1 x RS-232 Full-Function (DB9) 1 x 13.56MHz 6 x Sensor connectors 8 x DIO 1 x DC jack 1 x Reset button 1 x SD slot (Hidden)
Audio	1 x 2W Speaker
Camera	1 x 5.0MP CMOS webcam
Thermal Solution	Fanless
Wireless	BT4.0 + Wi-Fi Controller for 802.11 a/b/g/n
Construction Material	Plastic front cover and rear cover
Mounting	Panel, Wall,
Color	White
Dimensions (WxHxD) (mm)	282.5 x 174.3 x 14.7
Operating Temperature	0°C ~ 50°C
Storage Temperature	-10°C ~ 60°C
Humidity	5%~90% non-condensing
IP Level	IP64 front panel only
Power Requirement	9~30V DC

1

IEIMobile Solutions

2

Automation Panel Solutions

3

Healthcare Panel PC Solution

4

Industrial System

5

ORing Network Communication

6

Automation Control

7

Optional Peripherals

Options

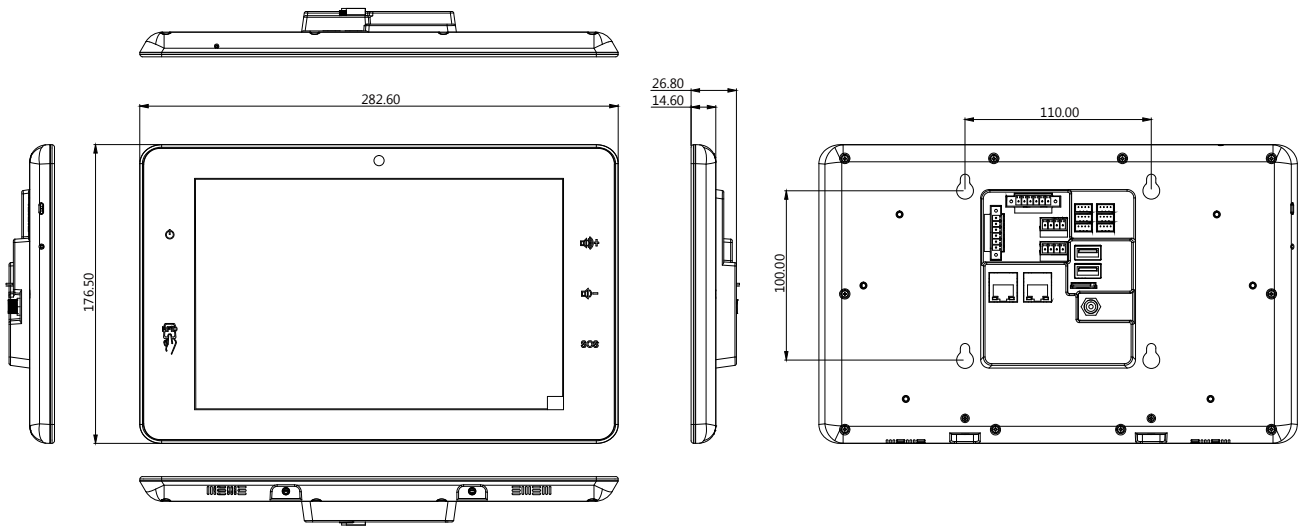
Item	IOBA-10F-AD
Power Adapter	63040-010060-130-RS (Vin:90~264VAC;60W;Vout:12VDC)
Panel Mount Kit	FPK-01-R10

Ordering Information

Part No.	Description
IOBA-10F-AD-R10	10.1" Freescale i.MX6 Cortex-A9 QC 1.0GHz; POE 802.3at; COM port; DIO; 4pin sensor connector; Front 5M Camera; NFC; Android 5.1; RoHS
IOBA-10F-AD-ET-R10	10.1" Freescale i.MX6 Cortex-A9 QC 1.0GHz; POE 802.3at; COM port; Front 5M Camera; Android 5.1; RoHS

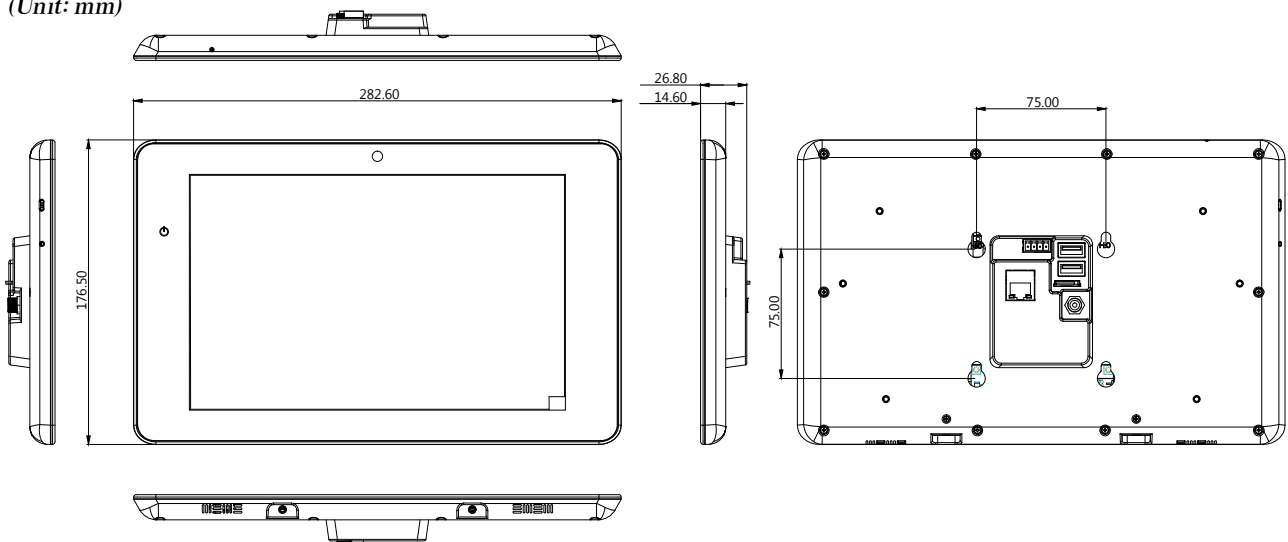
IOBA-10F-AD Dimensions

(Unit: mm)



IOBA-10F-AD-ET Dimensions

(Unit: mm)



1

IEIMobile Solutions

2

Automation Panel Solutions

3

Healthcare Panel PC Solution

4

Industrial System

5

ORing Network Communication

6

Automation Control

7

Optional Peripherals

IOVU-12F-AD

12" Freescale™ i.MX6 Cortex™-A9 Quad Core 1.0 GHz

IOVU-15F-AD

15" Freescale™ i.MX6 Cortex™-A9 Quad Core 1.0 GHz

IOVU-17F-AD

17" Freescale™ i.MX6 Cortex™-A9 Quad Core 1.0 GHz



Features

- Freescale™ i.MX6 Cortex™-A9 Quad Core 1.0 GHz
- Aesthetic ultra-thin bezel for seamless panel mount installation
- Projected Capacitive Touchscreen
- Robust IP65 aluminum front bezel
- Build-in Wi-Fi+BT & PoE
- Android 4.2 OS
- One CAN 2.0 and four GPIO
- 12V~36V wide range DC power input

Specifications



Model	IOVU-12F-AD	IOVU-15F-AD	IOVU-17F-AD
Size	12" (4:3)	15" (4:3)	17" (4:3)
Resolution	1024(W) x 768(H)	1024(W) x 768(H)	1280(W) x 1024(H)
Brightness (cd/m ²)	600	400	350
Contrast Ratio	700 : 1	700 : 1	800 : 1
LCD Color	16.2M	16.2M	16.7M
Pixel Pitch (mm)	0.24 x 0.24	0.297x 0.297	0.264 x 0.264
Viewing Angle (H-V)	160° / 140°	160° / 140°	170° / 160°
Backlight MTBF(hrs)	50000	50000	50000
Touchscreen	Projected capacitive flat touch	Projected capacitive flat touch	Projected capacitive flat touch
CPU	Freescale™ i.MX6 Cortex™-A9 quad core 1.0 GHz		
RAM	2GB DDR3 SDRAM		
Boot Flash	8G eMMC Nand Flash		
OS Support	Android 4.2.2		
Input / Output	1 x 10/100/1000 Mbps Power over Ethernet 2 x USB 2.0 host 1 x RS-232 full function (DB-9) 1 x RS-232/422/485 by DB-9 (software controllable) 1 x 12V~36V DC terminal block 1 x SD slot (up to 32GB) (Hidden) 1 x CAN 2.0 4 x GPIO 1 x DC jack 1 x On/Off power switch 1 x Reset button		
Audio	2 x 3W Speaker		
Thermal Solution	Fanless		
Wireless	BT4.0+WiFi Controller for 802.11 b/g/n		
Construction Material	Aluminum front cover and sheet metal rear cover		
Mounting	Panel, Wall, Stand, VESA Mount 100mm x 100mm		
Color	Black		
Dimensions (WxHxD) (mm)	322.2 x 262.2 x 45.5	378.5 x 303 x 48.2	408.4 x 341.4 x 54.3
Operating Temperature (°C)	-20°C ~ 60°C		
Storage Temperature (°C)	-30~70°C		
Humidity	5% to 90% (non-condensing)		
IP Level	IP 65 compliant front panel		
Power Requirement	12~36V DC		
Power Consumption	36V @ 0.8A	36V @ 0.72A	36V @ 0.86A

1

IEIMobile Solutions

2

Automation Panel Solutions

3

Healthcare Panel PC Solution

4

Industrial System

5

ORing Network Communication

6

Automation Control

7

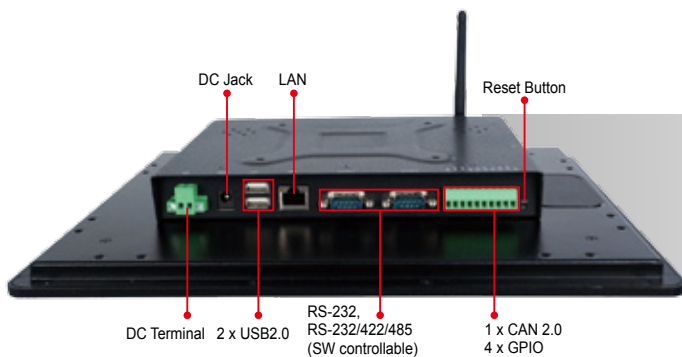
Optional Peripherals

Options

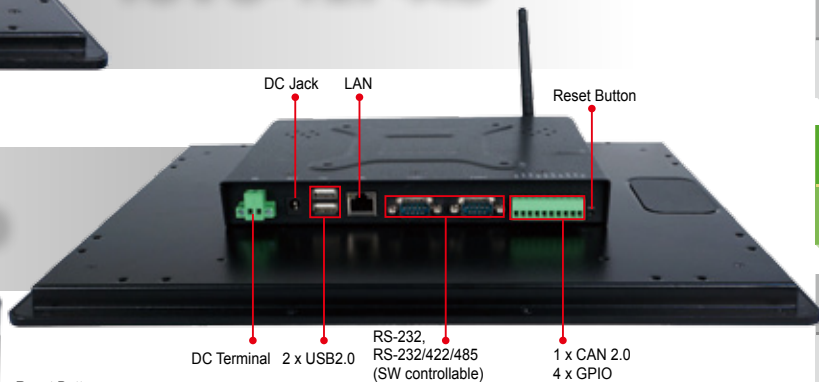
Item	IOVU-12F-AD	IOVU-15F-AD	IOVU-17F-AD
Power Adapter	63040-010060-130-RS (Vin:90~264VAC;60W;Vout:12VDC)		
ARM	ARM-11-RS	ARM-31-RS	ARM-31-RS
Stand	STAND-A12-RS	STAND-A19-RS STAND-B19-RS	STAND-C19-RS STAND-A21-RS
Wall Mount Kit	AFLWK-19B		
Panel Mount Kit	FPK-01-R10		

Ordering Information

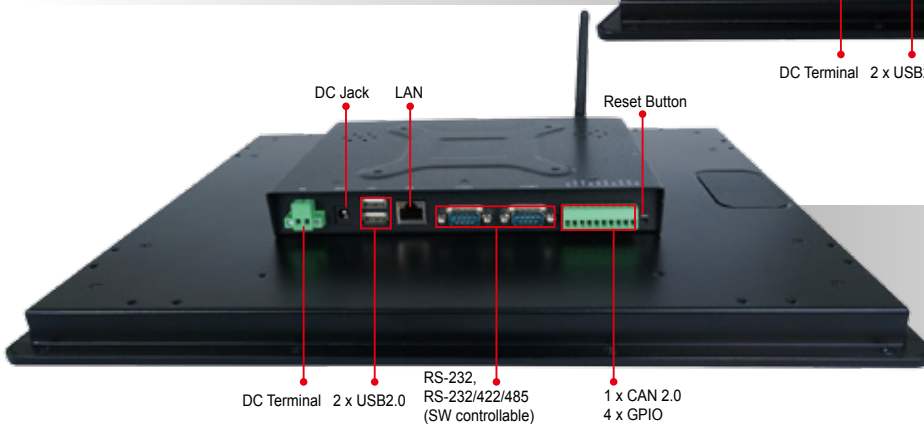
Part Number	Description
12" IOVU-12F-AD-R10	12" TFT-LCD; Freescale™ i.MX6 Cortex™-A9 1.0 GHz; WiFi/Bluetooth; POE 802.3 at; Android 4.2 ,RoHS
15" IOVU-15F-AD-R10	15" TFT-LCD; Freescale™ i.MX6 Cortex™-A9 1.0 GHz; WiFi/Bluetooth; POE 802.3 at; Android 4.2 ,RoHS
17" IOVU-17F-AD-R10	17" TFT-LCD; Freescale™ i.MX6 Cortex™-A9 1.0 GHz; WiFi/Bluetooth; POE 802.3 at; Android 4.2 ,RoHS



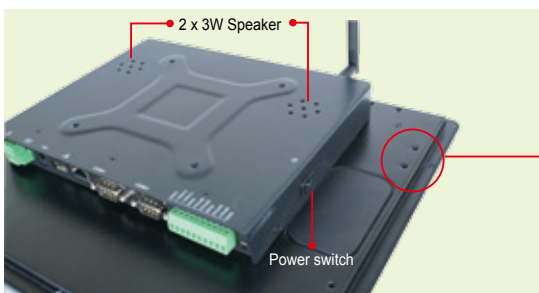
IOVU-12F-AD



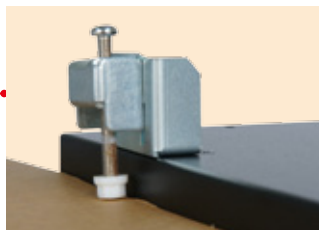
IOVU-15F-AD



IOVU-17F-AD



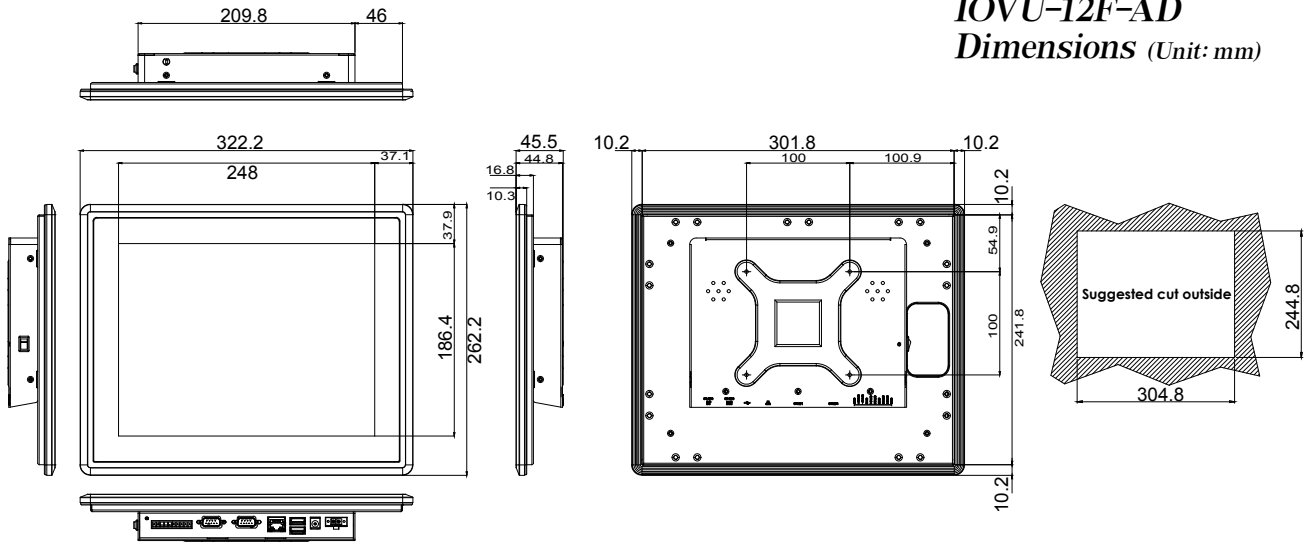
■ New Panel Mount Screw Design



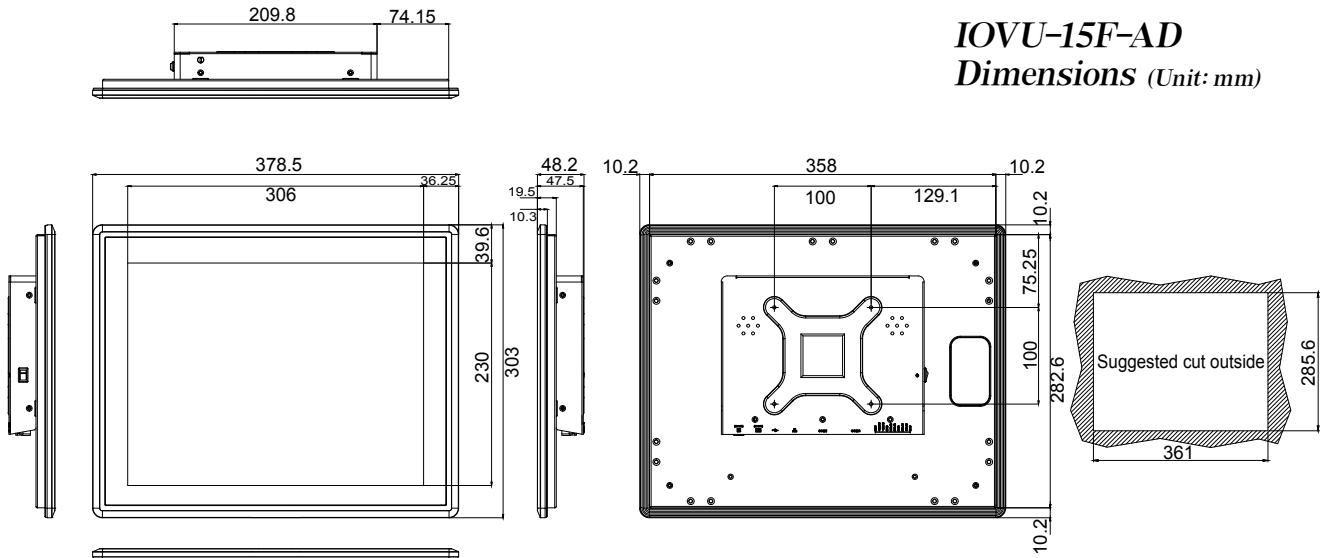
The IOVU series is shipped with the new panel mount screws allowing users to fasten either with screwdrivers or hands.

- 1 IEIMobile Solutions
- 2 Automation Panel Solutions
- 3 Healthcare Panel PC Solution
- 4 Industrial System
- 5 ORing Network Communication
- 6 Automation Control
- 7 Optional Peripherals

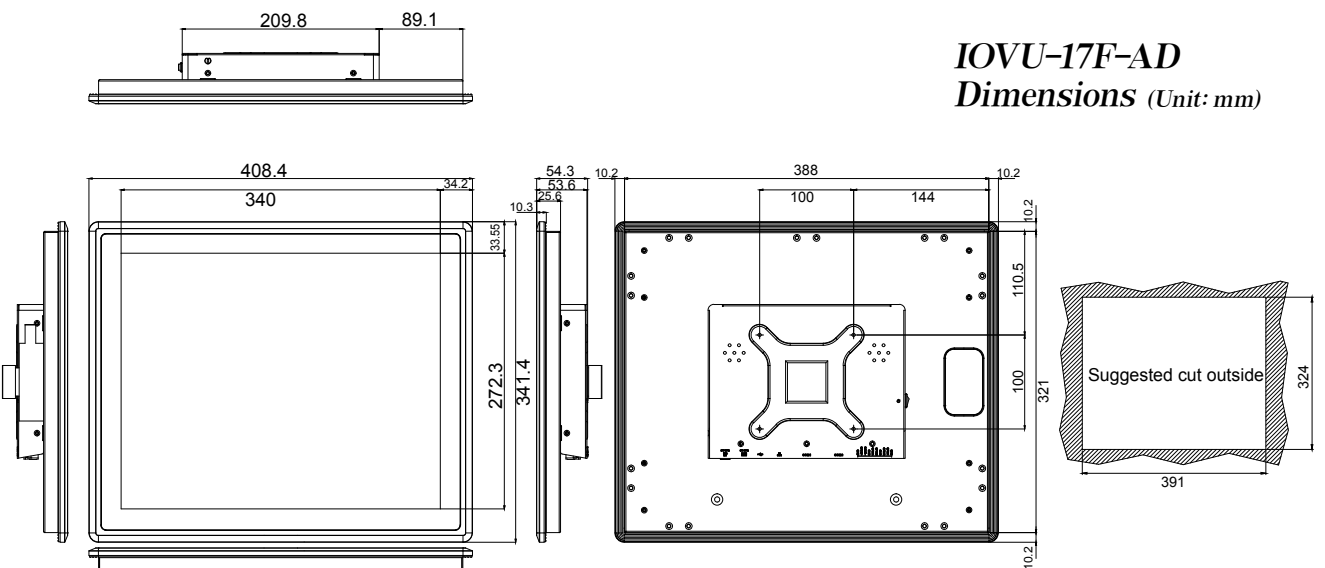
IOVU-12F-AD
Dimensions (Unit: mm)



IOVU-15F-AD
Dimensions (Unit: mm)



IOVU-17F-AD
Dimensions (Unit: mm)



1
IEIMobile
Solutions

2
Automation
Panel
Solutions

3
Healthcare
Panel PC
Solution

4
Industrial
System

5
ORing
Network
Communication

6
Automation
Control

7
Optional
Peripherals