

AFOLUX Vertical Market Panel PC

The AFOLUX all-in-one PPC series is based on an integrated multi-functional design. Its new vertical market capability allows a wide variety of applications to be easily integrated, from high performance KIOSKS RFID solutions and more.

A. Public Information Solutions



Printer PC - EP-308A

- 8" Panel PC integrated with 2" easy-loading thermal printer
- Small footprint satisfies limited space requirements

Model	LCD Size	CPU	Thermal Printer
EP-308A	8.0"	Intel® 945GSE / Atom™ N270 Processor	•



Mini Kiosk - IMK-571R

- 5.7" Panel PC integrated with wide scanning angle 1D/2D barcode module
- Supports PoE (Power Over Ethernet) agile deployment

Model	LCD Size	CPU	1D/2D Barcode Scan	PoE	RFID (Optional)	MSR (Optional)
IMK-571R	5.7"	RMI Alchemy™ AU1250	•	•	•	•

B. In-Wall Mount Solutions



AFOLUX 4 Series

- In-wall mounting design allows the system to be flush with the wall with no visible wall mount
- Changeable face plate and face plate skin sticker available to match diverse decoration styles
- One digital I/O (4 inputs / 4 outputs)

Model	LCD Size	CPU	Changeable Faceplate	Digital Input / Output	Wide Power Requirement
AFL 4 Series	8.0" / 8.4" / 10.4" / 12.1"	Intel® 945GSE / Atom™ N270 Processor	•	4 x Digital Input / 4 x Digital Output	10~28VDC

C. RFID Collector Solutions



ACT Series

- Integrated RFID reader for MIFARE 13.56 MHz or EM 125 KHz RFID tag

Model	LCD Size	CPU	RFID Reader (EM / Mifare)	Relay Output	Digital Input / Output	Wiegand Slave Reader Port	Changeable Faceplate
ACT-457A	5.7"	RMI Alchemy™ AU1250	•	2 x Relay Output	2 x Digital Input	-	•



AFOLUX Vertical Market Panel PC

Selection Guide



Model		Mini Kiosk	Printer PC	RFID Collector Solutions
		IMK-571A	EP-308A	ACT-457A
Display	LCD Size	5.7"	8.0"	5.7"
	Max Resolution (W x H)	640 x 480	800 x 600	640 x 480
	Brightness (cd/m ²)	400	250	400
	Max. Colors	262K	262K	262K
	Viewing Angle (H-V)	140°/160°	140° / 130°	140° / 100°
	Backlight MTBF (hrs)	50000 (LED backlight panel)	30000 (LED backlight)	50000 (LED backlight)
Motherboard	CPU	RMI Alchemy™ AU1250 500MHz	Intel® Atom™ N270 1.6GHz CPU	RMI Alchemy™ AU1250 500MHz CPU
	Chipset	--	Intel® 945GSE + ICH7M	--
	RAM	256MB DDR2 SDRAM	Supports one 400MHz / 533MHz DDR2 SO-DIMM (2GB max.)	256MB DDR2 SDRAM
I/O Ports and Switches		1 x RS-232 COM port 1 x RJ-45 for 10/100Mbps LAN (With on-board PoE design) 2 x USB 2.0 1 x Stereo audio jack	1 x RJ-45 for RS-232 COM port 1 x RJ-45 for RS-232/422/485 COM port 1 x RJ-45 for Gigabit LAN 4 x USB 2.0 1 x VGA port	1 x RS-232 COM port 1 x RS-422/485 COM port 1 x RJ-45 for 10/100Mbps LAN 2 x USB 2.0
Digital Input/Output		--	1 x RJ-12,12V cash drawer port	2 x Relay output 2 x Digital input
Drive Bay	SSD	--	CF Type II	--
	HDD	--	--	--
	CD-ROM	--	--	--
Wireless Connection	Wi-Fi	IEEE 802.11b/g (internal PCIe Mini interface)	--	IEEE 802.11 b/g (optional) (internal PCIe Mini interface)
Audio/Video Device	Audio	AMP 1.5W + 1.5W (Internal speakers)	AMP 1.5W + 1.5W (Internal speakers)	AMP 2W + 2W
	Webcam	--	--	1 x 300K pixel camera (internal USB interface)
	Microphone	--	--	1 x Digital microphone (internal USB interface)
RFID Reader		--	--	EM 125KHz MIFARE 13.56MHz
1D / 2D Barcode Scanner		1D / 2D barcode scanner	--	--
Thermal Printer		--	2" Thermal Printer	--
Physical	Mounting	Wall, stand and arm (VESA 100mm x 100mm)	VESA 100mm	In-wall mount, VESA 75mm x 75mm
System Cooling		Fanless	Fanless	Fanless
Environment	Operating Temperature (°C)	0°C~50°C	0°C~40°C	-10°C~60°C
	Storage Temperature (°C)	-20°C~60°C	-20°C~60°C	-20°C~70°C
Power Requirement		12~24VDC	12VDC	12VDC

AFOLUX Vertical Market Panel PC

Selection Guide



Model		In-Wall Mount Solutions			
		AFL-408B	AFL-408A	AFL-W410A	AFL-412A
Display	LCD Size	8.0"	8.4"	Wide 10.2"	12.1"
	Max Resolution (W x H)	800 x 600	800 x 600	1024 x 600	1024 x 768
	Brightness (cd/m ²)	250	450	400	500
	Max. Colors	262K	262K	262K	262K
	Viewing Angle (H-V)	140° / 130°	160° / 140°	140° / 110°	160° / 160°
	Backlight MTBF (hrs)	30000 (LED backlight)	50000 (LED backlight)	40000	50000 (LED backlight)
Motherboard	CPU	Intel® Atom™ N270 1.6GHz CPU			
	Chipset	Intel® 945GSE + ICH7M			
	RAM	Supports one 400MHz / 533MHz DDR2 SO-DIMM (2GB max.)			
I/O Ports and Switches		1 x RJ-45 for RS-232 COM Port 1 x RJ-45 for RS-232/422/485 COM Port 1 x RJ-45 for Gigabit LAN 5 x USB 2.0 (4 in the rear, 1 in front panel) 1 x VGA Port			
Digital Input/Output		1 x DIO (4in / 4out)	1 x DIO (4in / 4out)	1 x DIO (4in / 4out)	1 x DIO (4in / 4out)
Drive Bay	SSD	CF Type II	CF Type II	CF Type II	CF Type II
	HDD	--	--	--	1 x 2.5" SATA HDD bay
	CD-ROM	--	--	--	--
Wireless Connection	Wi-Fi	IEEE 802.11 b/g/n (internal PCIe Mini interface)			
Audio/Video Device	Audio	AMP 1.5W + 1.5W	AMP 1.5W + 1.5W	AMP 1.5W + 1.5W	AMP 1.5W + 1.5W
	Webcam	--	300K pixels camera	300K pixels camera	300K pixels camera
	Microphone	--	1 x Digital microphone (internal USB interface)	1 x Digital microphone (internal USB interface)	1 x Digital microphone (internal USB interface)
IR Remote Control		LCD On/Off, System Power On/Off, Volume Up/Down, Brightness Up/Down			
Physical	Mounting	In-wall mount, VESA 75mm x 75mm / 100mm x 100mm	In-wall mount, VESA 75mm x 75mm / 100mm x 100mm	In-wall mount, VESA 75mm x 75mm / 100mm x 100mm	In-wall mount, VESA 75mm x 75mm / 100mm x 100mm
System Cooling		Fanless	Fanless	Fanless	Fanless
Environment	Operating Temperature (°C)	-10°C~50°C	-10°C~50°C	-10°C~50°C	-10°C~50°C
	Storage Temperature (°C)	-20°C~60°C	-20°C~60°C	-20°C~60°C	-20°C~60°C
Power Requirement		10~28VDC	10~28VDC	10~28VDC	10~28VDC

Mini Kiosk Panel PC

IMK-571R

1D/2D Code Reading

PoE

- 5.7 inch VGA TFT touch panel LCD with LED backlight
- RMI Alchemy™ MAE multimedia platform
- 10/100Mbps Ethernet with on-board PoE (Power over Ethernet)
- Built-in stereo speakers
- Wi-Fi 802.11 b/g and wired network connectivity
- Watchdog timer
- Wide-angle, 1D/2D barcode scanner
- Default 2GB miniSD for data storage
- Optional MSR+SCR card reader
- Optional RFID Mifare reading module



1. Reliable Multimedia Platform with RMI AU1250 Microprocessor

Powered by RMI Alchemy™ AU1250 microprocessor with MAE (Multimedia Acceleration Engine), IMK-571R achieves great performance with its versatile multimedia support including most available video and audio types (MPEG1/2/4, DivX and WMV9).

- Video codecs inside, rich media support at full D1 resolution
- 15W low power consumption system
- 0°C~50°C wide temperature range



FORMAT	STREAM TYPE	AUDIO FORMAT	SUPPORTED BIT RATES
MPEG-1	System	MPEG	8 Mbps
MPEG-2	Program	MPEG	10 Mbps
	Transport	MPEG	8 Mbps
WMV9	Unencrypted only	WMA	2.5 Mbps
	CBR w/o filters, 720x480	WMA	2.5 Mbps
	VBR w/o filters, 720x480	WMA	2.5 Mbps
DivX	Unencrypted only/ no subtitles - V3.11	MP3/AAC/MPEG	4 Mbps
	V4	MP3/AAC/MPEG	4 Mbps
	V5	MP3/AAC/MPEG	4 Mbps
MPEG-4 MP4ISO/EIC 14496-2.	Advanced Simple Profile – level 5	AAC	3 Mbps
MPEG-4 AVI	Advanced Simple Profile – level 5	MP3, AC-3	4 Mbps



Full D1 (720 x 480)

Advertising platform maximizes customer satisfaction and ROI

- Play multimedia video to attract the attention of customers and make shopping more interesting
- At DVD rental stores, customers can watch movie previews by scanning DVD barcodes

2. Applications



Self-service

Allows customer to check price, obtain product related information or motivate them with promotional messages



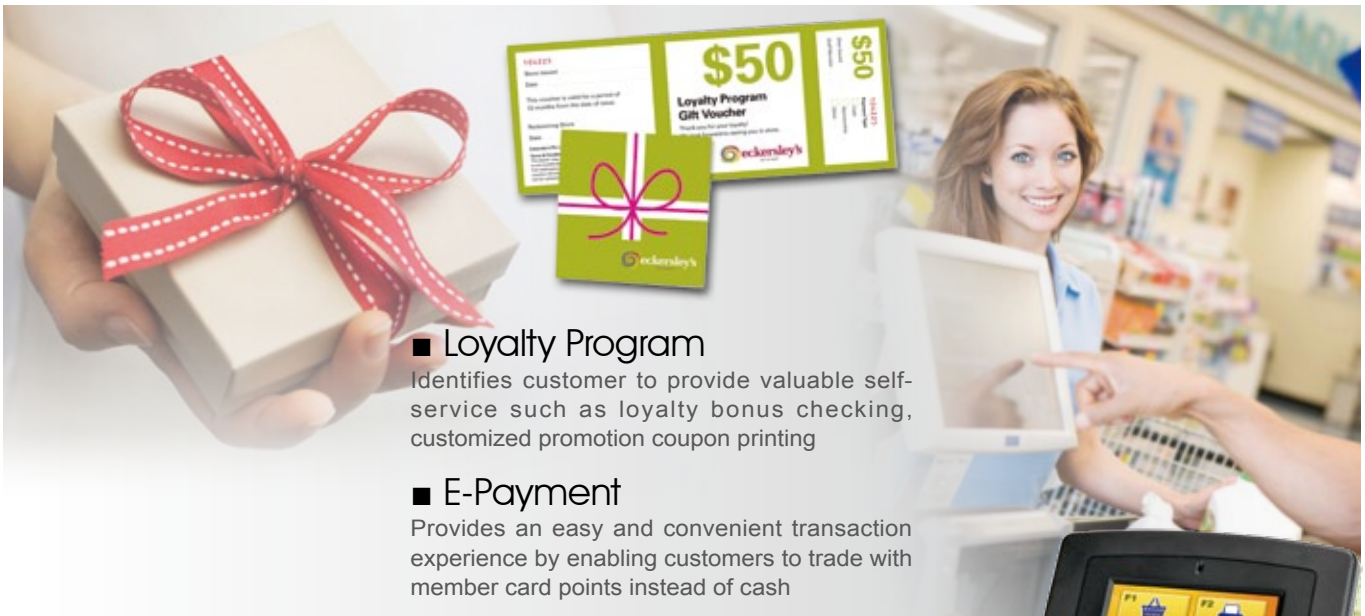
Customer loyalty program

Customer can access their loyalty card to see their accumulated credit and reward programs



Production line information

Operator can scan barcode on WIP carrier to get production information and update production status



■ **Loyalty Program**

Identifies customer to provide valuable self-service such as loyalty bonus checking, customized promotion coupon printing

■ **E-Payment**

Provides an easy and convenient transaction experience by enabling customers to trade with member card points instead of cash

3. Built-in 1D/2D Barcode Scanner

- Accurately decodes all 1D and 2D codes, even wrinkled, damaged or poorly printed
- 1.23-megapixel CMOS sensor captures high resolution images for decoding
- 50° / 37.5° (H/V) large scanning area



2D Barcode

A 2D (two-dimensional) barcode is a graphical image that stores information both horizontally.

- Greater storage than is possible with the 20-character capacity of a unidimensional barcode.
- Faster data access allows for quicker response codes.

Technology	1D Code	2D Code
Read Condition	20 to 25 characters	100 to about 7,089 characters



4. Identification / Payment Card Empowered Models

■ **IMK-571R-CE5/MIFARE/-R10**

RFID Reader Feature

- ISO14443A (MIFARE) UID (Read Only) and block date Read/Write
- Reading Distance : 3-5cm (Card dependent)
- Supports up to 115.2Kbps data rate
- PWR, ACT LED Indicators

■ **IMK-571R-CE5/MSR/-R10**

Magnetic Card Reader Feature

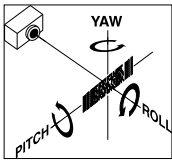
- Reading Track : ISO1,2,3 (IATA, ABA, THRIFT, MINTS)
- Card Standard : ANSI, ISO, ABA
- Beeper Reading Indicator



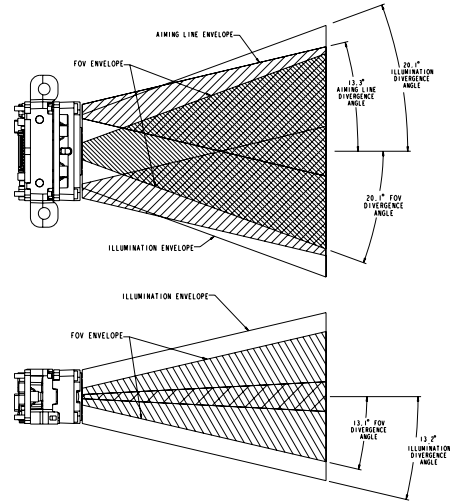
6. Barcode Capability

IMK-571R is equipped with the leading Metrologic IS4920 scanner engine. IS4920 is a decoded miniature area imaging scan engine designed to scan 1D and 2D bar codes. It features a megapixel imaging sensor, a wide angle lens design, integrated illumination and aiming, and industrial leading decoding software and delivers a fast and aggressive scanning performance.

Features	Benefits
Powered by Adaptus® Imaging Technology	Adaptus Imaging Technology delivers leading technologies and utilizes Honeywell's continuous commitment to provide superior data capture solutions
Point-and-Shoot Scanning Ease of Use	Available in high visibility LED and laser aimer versions makes reading linear and full matrix codes quick and easy with industry-leading motion tolerance, low light sensitivity, and broad depth of reading distances
Durable	Incorporates industrial grade image sensor technology which are designed with no moving parts, these imagers can withstand rugged applications
Decoding	Read all major linear, stacked linear, and matrix bar codes, as well as machine-readable OCR fonts, quickly and easily
Fifth Generation Image Processing	Industry-leading image processing performance. In addition to reading bar codes well, these products also capture crisp digital images.



Barcode Reading Angles		
Pitch	Skew	Tilt
40° @ 0° tilt and 0° skew	40° @ 0° tilt and 0° pitch	360° @ 0° pitch and 10° skew
PS : The scanner may not operate under conditions of specular reflection: +/- 5° (assuming Pitch & Skew @ 0° tilt only)		



Window Size Diagram (Laser Aimer)

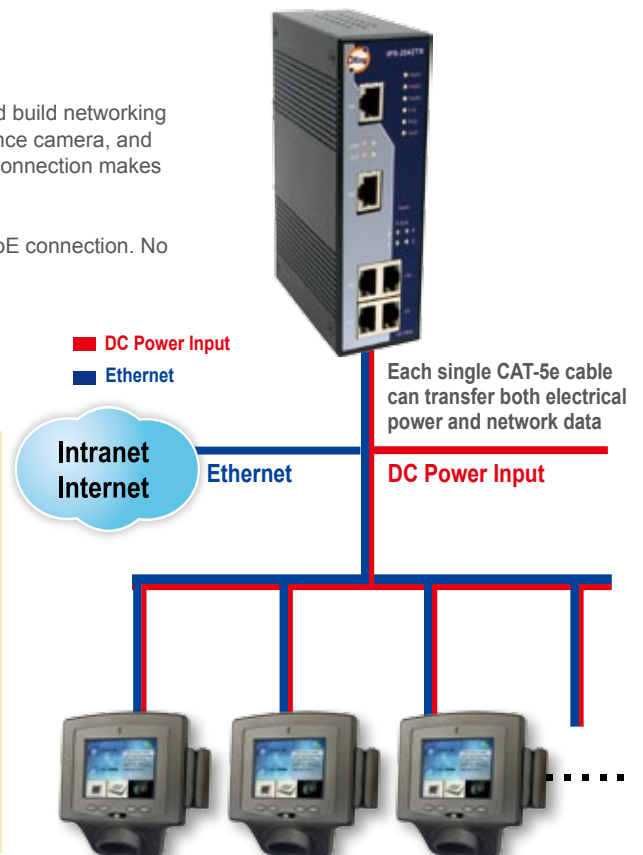
Bar Code Element Width	Depth of Field (In the Field of View)			
	Start (From Engine Face)	End (From Engine Face)	Total	
1D (Code 39)	.203 mm 8 mil	89 mm (3.5")	193 mm (7.6")	104 mm (3.1")
	.254 mm 10 mil	81 mm (3.2")	234 mm (9.2")	153 mm (6")
	.381 mm 15 mil	53 mm (2.1")	325 mm (12.8")	272 mm (10.7")
PDF417	.168 mm 6.6 mil	114 mm (4.5")	159 mm (6.25")	45 mm (1.75")
	.254 mm 10 mil	79 mm (3.1")	229 mm (9.0")	150 mm (5.9")
Data Matrix	.381 mm 15 mil	58 mm (2.3")	259 mm (10.2")	201 mm (7.9")

7. Power over Ethernet (PoE)

What is the Benefit of PoE?

- PoE is a revolutionary feature changing the way manufacturers design and build networking products. The need for PoE has been largely driven by the VoIP, surveillance camera, and Panel PC industry, but the benefits spread much further. The single data connection makes it cheaper and easier to install.
- Power is supplied to the IMK-571R panel PC and peripherals through a PoE connection. No additional power supply is needed which reduces engineering costs.

Power Input Options



8. IMK Runtime Demo



■ IMK Runtime Demo:

IMK Runtime Demo is a pre-installed application which introduces the functions of the IMK-571R to new users

■ Product Inquiry:

In this mode the user can scan pre-defined product barcodes, view relative product information, and check barcode type

■ Receipt Print:

Print receipts in product inquiry mode by pressing the print button when prompted

■ Access Control:

Access control allows users to read magnetic cards and display pre-defined personal information

9. IMK Merchandise Manager

■ IMK Merchandise Manager

IMK Merchandise Manager provides a friendly interface for the administrator to maintain and manage product information on an IMK-571R in the network.

■ Find IMK-571R in Your Network

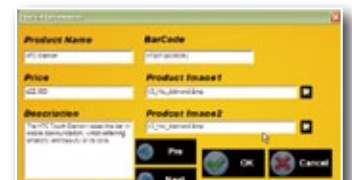
Use Find IMK-571R to search and list all available IMK-571R in the network. Then select the IMK-571R which you want to upload or download product information files from.

■ Upload/Download Product Information File

When executing the download command, IMK Merchandise grabs the product information file from the previously selected IMK-571R and generates local sub folders with different device names. When execute upload command, IMK Merchandise will transfer the product information file in sub folders named after the device name onto the relative IMK-571R.

■ Edit Product Information File

User can select and open the product information file (*.xml) to edit content. In editing mode, the user can add and remove product items or edit product details. Then using 'Apply to all' generate sub folders named after selected IMK-571R devices and imitate the product information file with the edited content into the folders.



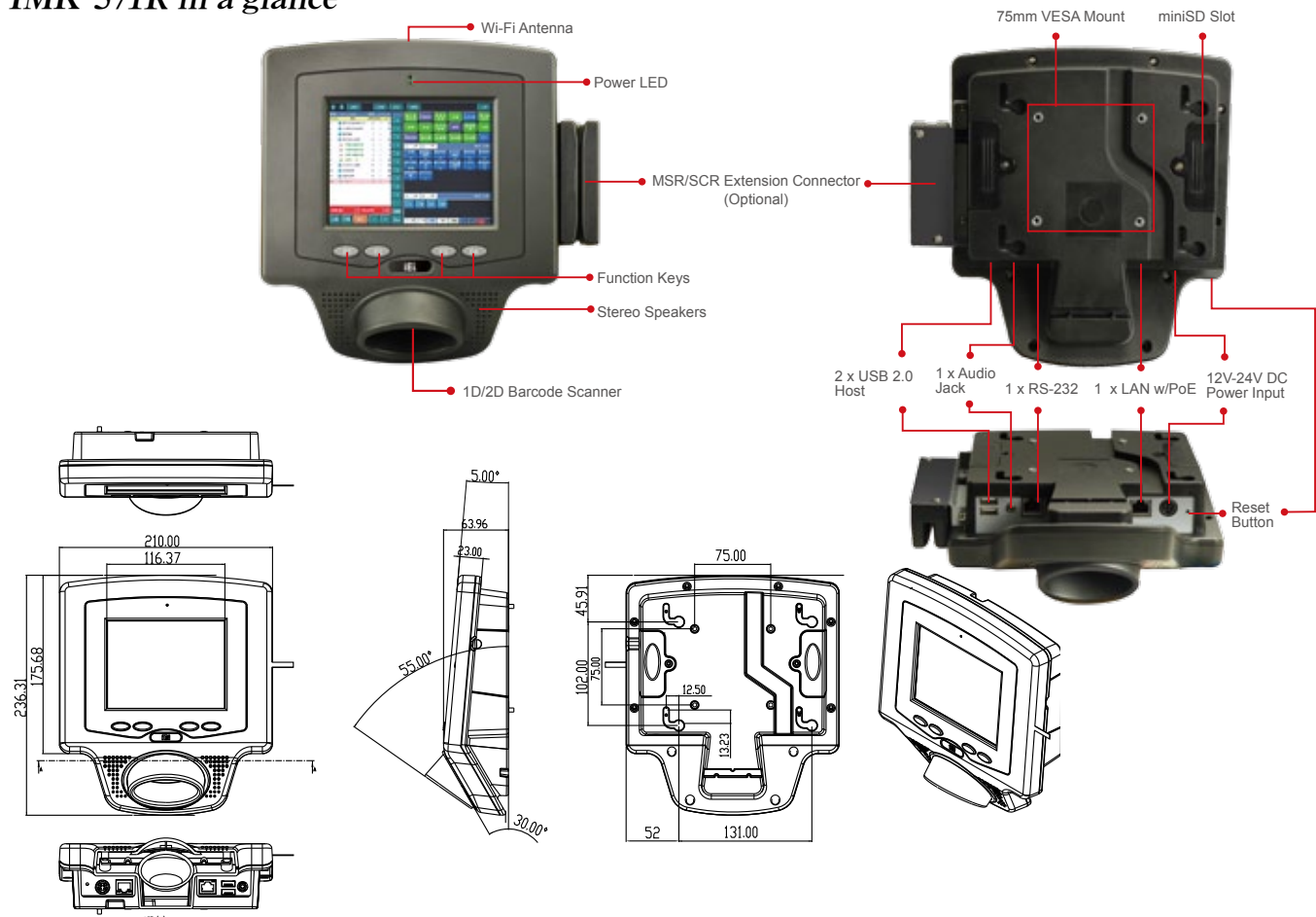
IMK Web Configurator

IMK Web Configurator is a Web-based utility which allows users to access IMK-571R and modify the settings via a web browser interface at anytime and in any place, anywhere without any PC client application installed. It makes management of IMK-571R in the network very easy and convenient for IT administrator while minimizing system maintenance costs and time.

- System Setting: User can inquire system information and set up Ethernet and Wireless parameters. Remote restart option allows users to restart the system once any abnormal circumstance occurs and a restart procedure is needed.

- Barcode Setting: User can adjust universal barcode parameters and the variables of various barcode types. The available settings will auto change when a specific barcode type is selected on the left side of the screen. User can also use the 'Factory default' function to restore all settings to default when needed.

IMK-571R in a glance



Specifications

Model	IMK-571R MiniKiosk	Connectivity	<ul style="list-style-type: none"> • 10/100Mbps Ethernet with on-board PoE design • Built-in Wi-Fi 802.11 b/g • 1 x RS-232 • 2 x USB host Rev. 2.0 • 1 x Stereo Audio Jack • 2 x Stereo Speaker
Core System	<ul style="list-style-type: none"> • RMI Alchemy™ AU1250 500MHz CPU • 2MB NOR flash for bootloader • 256MB DDR2 • miniSD slot with default 2GB miniSD memory card for OS and user data/program • Watchdog Timer 	Physical Specifications	<ul style="list-style-type: none"> • Operating temperature : 0°C-50°C • Humidity : 5%-90% RH
Display	<ul style="list-style-type: none"> • 5.7" VGA TFT touch panel LCD with LED backlight • Resistive type 4-wire touch screen 	Power	<ul style="list-style-type: none"> • 1 x 12-24V DC power input • 8W power consumption
Data Input and Display	<ul style="list-style-type: none"> • Power LED • 4 x Function keys • 1D/2D barcode scanner • 1 x Reset button • MSR (IMK-571R-CE5/MSR-R10 only) 	OS	<ul style="list-style-type: none"> • Windows® CE 5.0 • Built-in web server • Built-in RDC (Remote Desktop Connection) Thin Client support • SDK for embedded Visual C++
		Utility	<ul style="list-style-type: none"> • IMK Web Configurator • IMK Remote Management Tool • IMK Merchandise Manager
		Demo	<ul style="list-style-type: none"> • IMK Runtime Demo Application

Ordering Information

Part Number	Description
IMK-571R-CE5/-R10	RISC-BASED MINI KIOSK PANEL PC, ALCHEMY™ AU1250 CPU, 5.7" TFT TOUCH PANEL, HONEYWELL IT5180 1D/2D BARCODE SCANNER, WIFI B/G, ON-BOARD PoE, W/O MAGNETIC STRIPE READER, WIN CE5.0, RoHS
IMK-571R-CE5/MSR/-R10	RISC-BASED MINI KIOSK PANEL PC, ALCHEMY™ AU1250 CPU, 5.7" TFT TOUCH PANEL, HONEYWELL IT5180 1D/2D BARCODE SCANNER, WIFI B/G, ON-BOARD PoE, W/ MAGNETIC STRIPE READER, WIN CE5.0, RoHS
IMK-571R-CE5/MIFARE/-R10	RISC-BASED MINI KIOSK PANEL PC, ALCHEMY™ AU1250 CPU, 5.7" TFT TOUCH PANEL, HONEYWELL IT5180 1D/2D BARCODE SCANNER, MIFARE 13.56MHz RFID READER, WIFI B/G, ON-BOARD PoE, W/O MAGNETIC STRIPE READER, WIN CE5.0, RoHS
7Z000-MIFARES50-RS	RFID PROXIMITY, CARD, 13.56MHz, ISO14443A; MIFARE-S50; SIZE: 85.6X 54X 0.76MM, PVC SURFACE; RoHS
AFLWK-12	VESA 75 WALL MOUNT KIT

Packing List

1 x IMK-571R	1 x Utility CD includes SDK, utilities, and technical document
1 x 9-pin RS-232 cable	1 x Touch pen
1 x Screw kit	

8.0" Printer PC

EP-308A

- 8.0" printer PC with Intel® Atom™ processor
- Small footprint satisfies limited space requirements
- Extendable connections for peripheral devices
- Built-in 2" easy-loading thermal printer
- Built-in resistive touch screen
- IP 64 compliant front panel

**Compact Desktop PC
built in thermal printer**



1. Compact Low Profile System

A compact and efficient desktop system is the perfect solution for small and medium business, allowing the business owner to easily manage the business transactions and records. The small footprint EP-308A is perfect for any environment installation.



2. Customer Display Connection via VGA

- * Migrating from vacuum fluorescent display (VFD) to LCD customer display via VGA connection
- * Double screen space
- * Displays retail advertisements and promotions



Customer Display



Customer side display via VGA connection



3. Built-in 2" Easy-Loading Thermal Printer with Auto-cutting

■ High Speed Thermal Printer

The built-in printer can print at 100 mm/s (800 dot line/s) maximum.

■ Auto Cutter

The built-in printer supports full cut or partial cut paper according to user selection.

■ Easy Paper Setting

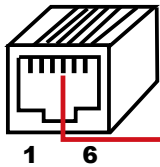
Paper can be easily inserted or the auto-load function can be selected. When a paper jam occurs, simply re-insert the roll of paper.



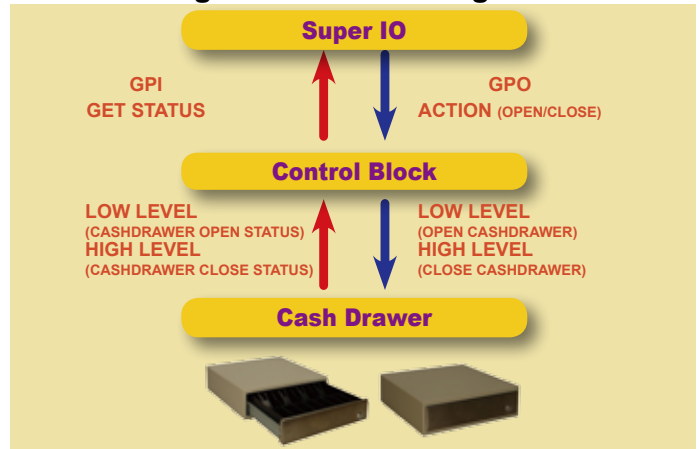
4. Cash Drawer Port via RJ-12 with 12V / 24V Power

Equipped with a digital I/O RJ-12 12 V/24 V port that provides extension for peripherals such as a cash drawer device.

Pin	Assignment
1	Ground
2	CASH_1 (Digital Out Programmable)
3	Digital IN
4	+12V/24V
5	NC
6	Ground

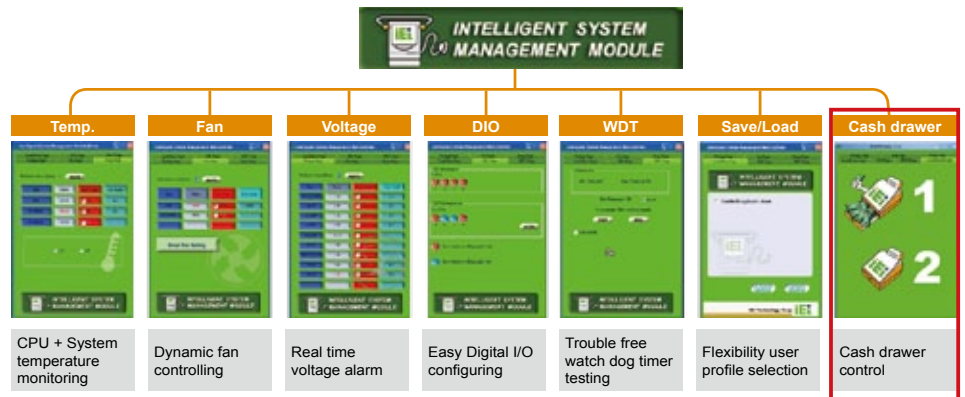


Digital I/O control diagram



5. IEI Intelligent System Management Module (iSMM)

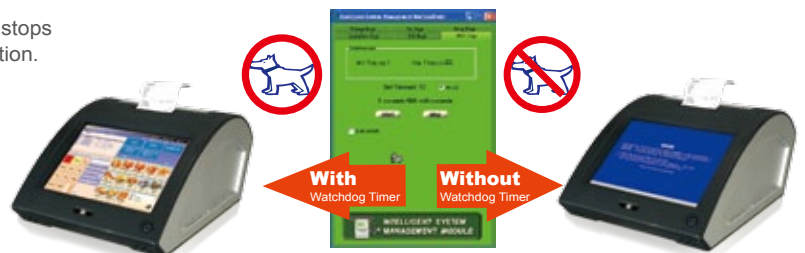
The AFOLUX panel PC is equipped with the IEI patent system management module for tracking system and CPU temperatures, voltages, cooling fan speed, etc. By quickly capturing and reporting health data, users can prevent disasters from system instability or damage.



Cash Drawer Control For POS Application

6. Watchdog Timer Prevents System Lock-up

The watchdog timer will automatically restart the system if it stops responding, ensuring dependability during unattended operation.



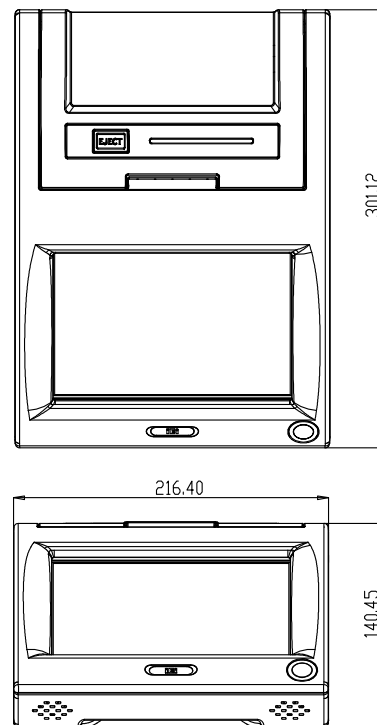
Rear Panel Input/Output



Specifications

Model	EP-308A-N270	
LCD Size	8"	
CPU	Intel® Atom™ 1.6GHz N270 Processor	
Chipset	Intel® 945GSE	
Memory	Built-in 1GB DDR2 Memory System Supports One 200-pin Dual-Channel 667 MHz DDR2 up to 2 GB	
Max. Resolution (W x H)	800 x 600	
Brightness (cd/m ²)	250	
Contrast Ratio	500:1	
LCD Color	262K	
Pixel Pitch (mm)	0.2025(H) x 0.2025(V)	
Viewing Angle (H-V)	130° / 110°	
Backlight MTBF	30000 hrs	
Touch Screen	5-Wire Resistive Type	
HDD	1 x 2.5" SATA HDD	
SSD	1 x CF Type II	
I/O Interface	Display	1 x VGA Port
	Powered USB	4 x USB 2.0
	Powered COM	2 x RJ-45 for RS-232 COM Port
	Cash Drawer Port	1 x RJ-12, 12V Cash Drawer Port
	LAN	1 x RJ-45 for Gigabit LAN
	Wireless	(Optional) IEEE 802.11 b/g/n (Internal PCIe Mini interface)
	Audio	AMP 1.5W + 1.5W (Internal speakers)
	Power Switch	1 x 24V DC-IN Power Jack
Power	Adapter	FSP070-RAA607, VAC:90~264V, 24V/70W
	Output	24V DC
Mounting	VESA 75mm x 75mm / 100mm x 100mm	
Construction	Aluminum Chassis	
Color	Black / Silver or Selected Color	
Operating Temperature (°C)	0°C~40°C	
IP Level	IP64 (Front Panel)	
Safety & EMI	CE / EMC / FCC / UL / BSMI	
Dimensions (WxHxD)	320 x 217 x 141 mm	
Net Weight	2.80 Kg	

EP-308 Dimensions (Unit: mm)



Ordering Information

Part Number	Description
EP-308A-N270/T-R/1GB-R11	8" 250cd/m ² POS PC with Intel® Atom™ N270 1.6GHz, 1GB DDR2 RAM, 10/100BASE-T Ethernet, built-in 2" easy loading thermal printer with auto cutter WPOS/OPOS support only, touch screen, RoHS
EP-308AX-N270/T-R/1GB-R11	8" 250cd/m ² POS PC with Intel® Atom™ N270 1.6GHz, 1GB DDR2 RAM, 10/100BASE-T Ethernet, touch screen, RoHS
EP-308AS-N270/T-R/1GB-R11	8" 250cd/m ² POS PC with Intel® Atom™ N270 1.6GHz, 1GB DDR2 RAM, 10/100BASE-T Ethernet, built-in 2" easy loading thermal printer with auto cutter command mode supported, touch screen, RoHS

Options

Barcode Reader	AFLP-BRW01-U (White color) / AFLP-BRB01-U (Black color)
Customer Display	AFL-CDW01 (White color)/ AFL-CDB01 (Black color)
OS: Windows® XPE	EPCF-308-N270-XPE (4GB CF Card)
OS: Windows® WEPOS	EPCF-308-N270-WEPOSREADY (4GB CF Card)

In-Wall Mount Solutions

AFL-4xxA Series

Customizable Slim Bezel + In-Wall Mount

- 8.0"~15" Highly Customizable All-in-One System**
 The system is extremely configurable. The semi-open frame system equipped with customizable faceplate, and the flexible LCD size options match your diverse style and OEM/ODM project request.
- Easy In-Wall Mount Mechanical Design**
 In-wall mounting just three simple steps: cut-out the panel, install the screw and put on the faceplate
- Fanless Intel® Atom™ Platform**
 An on-board 1.6GHz Intel® Atom™ N270 CPU ensures low power requirements. Metal cast design housing replaces the fan as it helps dissipate heat.
- Changeable Faceplate/Sticker Skin**
 Multiple faceplates/skin stickers available to match decoration styles



1. Customizable Front Bezel

Highly customizable ideal for OED/ODM project

The AFOLUX 4 Series with its metal casing and open front bezel with flexible faceplate options is easy to integrate into your mechanical housing.

Available in 3 color finishes: white, black or gray finish. (Standard model support)



A. Stylish Front Bezel Customization



B. Function Added Front Bezel Customization

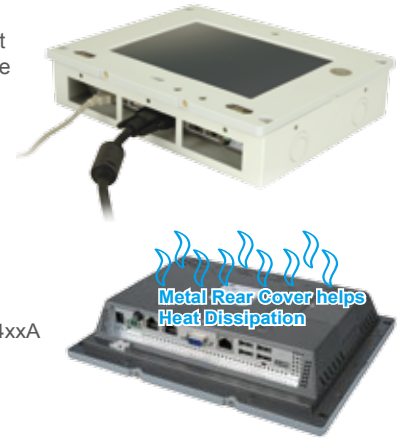


2. Sleek In-Wall Mounting



■ Benefits of In-Wall Mounting:

- In-wall mounting can hide power cord and wall electric outlet, and is flush with the wall.
- Never tire of your fireplace design because it can be customized to suit any decor. Change your front bezel design for a season, any holidays or a party theme.
- Frame allows for a finished look
- Space saving



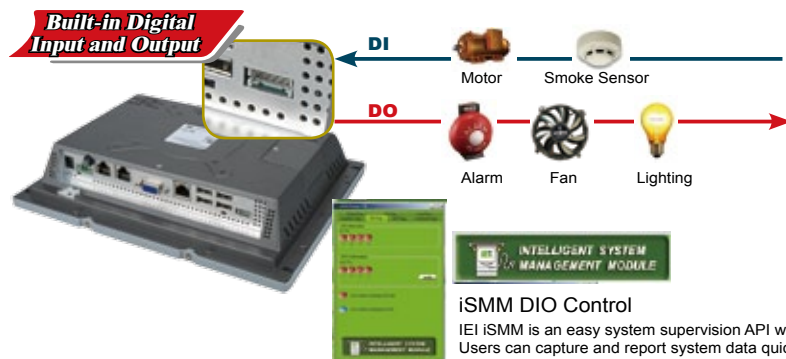
■ In-Wall Cage Available

The IWC series is designed to house the AFL-4xxA 15" panel displays. It comes with knockouts for power and signal cables.

■ In-Wall Mount Residential Automation



3. Digital Input Output ON/OFF Control



The DIO (digital input output) port provides a 4-channel ON/OFF control for the external devices like Relay.

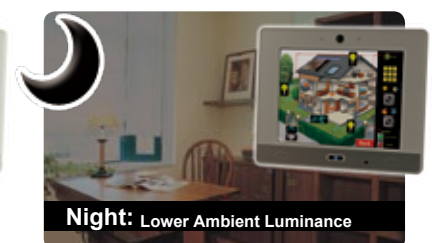
Super IO		
GPI (Get Status)	↑ ↓	GPO Action (Open / Close)
Control Block		
Low Level High Level	↑ ↓	Low Level High Level

4. Built-in Ambient Light Sensor

The built-in ambient light sensor automatically detects the amount of light in the viewing environment and auto-adjusts the brightness of the screen.

Benefits:

- More comfortable viewing decreases eye strain and tiredness
- Reduces power consumption
- Extends lamp lifetime



5. Rich Multimedia Devices Built In

AFOLUX 4 Series integrates with Intel® Atom™ N270 processor down to 0.65W, but has great performance of playing multimedia files and great graphic engine.

- Built-in High Resolution 300K Pixels Webcam
- Built-in High-Performance 2Channel Stereo Speakers, and Microphone



Built-in 300K pixel webcam with digital microphone



Two built-in 1.5W speakers

6. Communication Capabilities



■ Bluetooth (by ATO Request)

The preinstalled Bluetooth module communicates with a wide range of electronic products such as PDAs, cellular phones, printers and barcode readers.



■ Wi-Fi

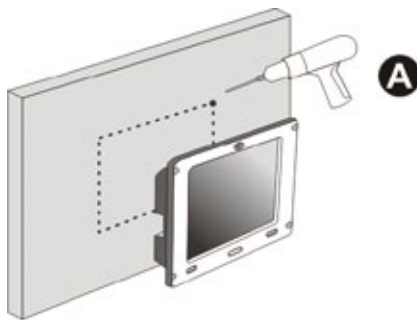
The integrated PIFA antenna on the AFOLUX ensures an uninterrupted wireless connection. PIFA type antennas can receive high-quality and uniform signals in any locations.



7. Easy In-Wall Installation in Minutes

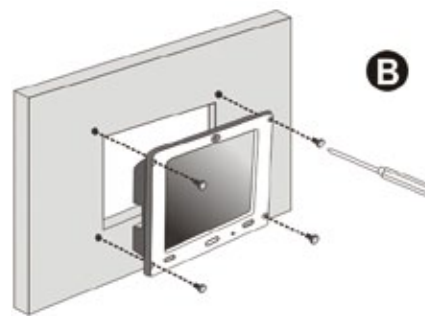
(A) Cut Out the Panel

Select the position on the panel to mount the flat panel PC. Cut out a section of the panel that corresponds to the rear panel dimensions.

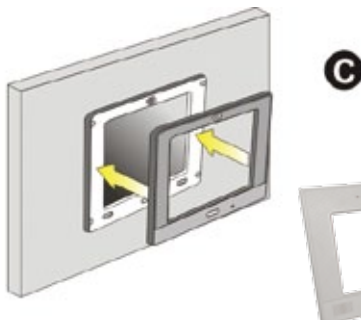


(B) Install the Screws

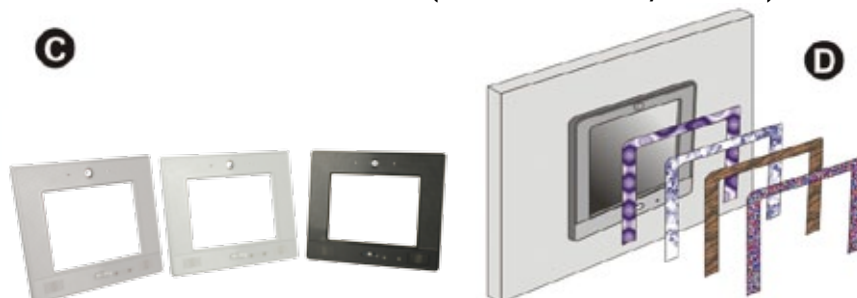
Tighten the screws that pass through the panel mounting holes until the screws are firmly secured to the panel.



(C) Put on the Faceplate



(D) Changeable Faceplate Sticker Skin (Customize by Order)



In-Wall Mounting Solutions

AFL-408A-N270

8.4" SVGA Fanless In-Wall Panel PC

AFL-408B-N270

8.0" SVGA Fanless In-Wall Panel PC

AFL-W410A-N270

Wide 10.2" SVGA Fanless In-Wall Panel PC



Features

- 8" ~ 15" TFT LCD with resistive touch screen
- Fanless system with Intel® Atom™ N270 1.6GHz CPU
- Changeable faceplate and sticker skin
- In-wall mechanism design installs in minutes
- Built-in CMOS camera with digital microphone and two 1.5W speakers for multimedia applications (optional)
- Connect peripheral devices through a built-in Bluetooth connection to reduce the amount of cables in the workspace
- VESA-mountable for flexible mounting and deployment
- Ambient light sensor detects ambient light and adjusts screen settings to optimize viewing
- One Digital I/O (4 input/4 output)
- IEI One Key Recovery solution allows you to create rapid OS backup and recovery (Suggest over 4GB storage capacity)

Specifications

Economical Version

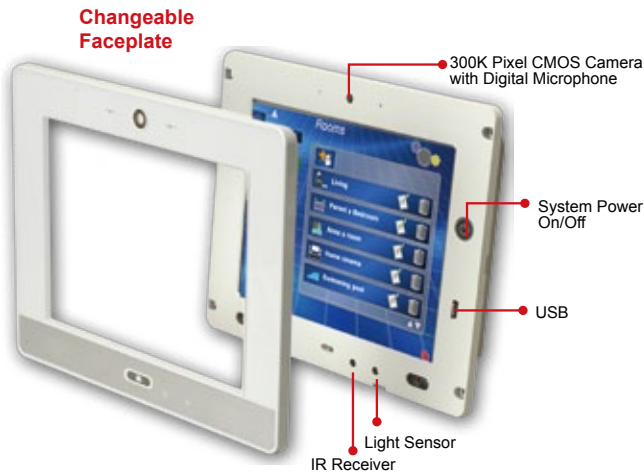
Economical Version

Model		AFL-408A-N270	AFL-408B-N270	AFL-W410A-N270
Display	LCD Size	8.4"	8.0"	10.2"
	Max. Resolution	800 x 600	800 x 600	1024 x 600
	Brightness (cd/m ²)	450	250	400
	Contrast Ratio	600 : 1	500 : 1	400 : 1
	LCD Color	262K	262K	262K
	Pixel Pitch (mm)	0.213(H) x 0.213(V)	0.2025(H) x 0.2025(V)	0.2175(H) x 0.2175(V)
	Viewing Angle (H-V)	160° / 140°	140° / 130°	140° / 110°
	Backlight MTBF (hrs)	50000	30000	40000
Motherboard	CPU	Intel® Atom™ N270 1.6GHz CPU		
	Chipset	Intel® 945GSE + ICH7M		
	RAM	Supports one 400MHz or 533MHz DDR2 SO-DIMM (Max. 2GB)		
I/O Ports and Switches		1 x RJ-45 for RS-232 COM port 1 x RJ-45 for RS-232/422/485 COM port 1 x RJ-45 for Gigabit LAN 5 x USB 2.0 (4 in the rear, 1 in front panel) 2 x Power switch (inside front panel & rear cover) 1 x Reset button 1 x DIO (4in / 4out) 1 x Terminal block for 10~28VDC input 1 x VGA port 1 x Power jack	1 x RJ-45 for RS-232 COM port 1 x RJ-45 for RS-232/422/485 COM port 1 x RJ-45 for Gigabit LAN 5 x USB 2.0 (4 in the rear, 1 in front panel) 2 x Power switch (inside front panel & rear cover) 1 x Reset button 1 x DIO (4in / 4out) 1 x Terminal block for 10~28VDC input 1 x VGA port 1 x Power jack	1 x RJ-45 for RS-232 COM port 1 x RJ-45 for RS-232/422/485 COM port 1 x RJ-45 for Gigabit LAN 5 x USB 2.0 (4 in the rear, 1 in front panel) 2 x Power switch (inside front panel & rear cover) 1 x Reset button 1 x DIO (4in / 4out) 1 x Terminal block for 10~28VDC input 1 x VGA port 1 x Power jack
	Drive Bay	SSD	CF Type II	
Other Function	Watchdog Timer	Software programmable supports 1~255 sec. system reset		
	Audio	AMP 1.5W + 1.5W (Internal speakers)		
	Wi-Fi	1 x Wireless LAN 802.11 b/g/n module (internal PCIe Mini interface)		
	Webcam and Digital Microphone	1 x 2-megapixel camera with digital microphone (internal USB interface)	--	1 x 2-megapixel camera with digital microphone (internal USB interface)
	Remote Control	1 x remote controller (LCD on/off; system power on/off; volume; brightness)		
Physical	LED Function	1 x Power ON/OFF LED on front panel		
	Construction Material	ABS + PC plastic front frame		
	LED Function	1 x Power ON/OFF LED on front panel		
	Mounting	Panel, wall VESA 75mm x 75mm / 100mm x 100mm		
	Front Panel Color	Black (black U) / White (apple white) / Gray (422C)		
Environment	Dimensions (WxHxD) (mm)	263.2 x 221.2 x 54.4	263.2 x 221.2 x 54.4	313.83 x 222.13 x 52.5
	Operating Temperature (°C)	-10°C ~50°C		
	Storage Temperature (°C)	-20°C ~60°C		
	Net Weight	0.8 Kg	0.8 Kg	1.5 Kg
	IP Level	IP63		
	EMC	CE, FCC		
Touch Screen	4-wire resistive type (touch controller IC is on board)		5-wire resistive type (touch controller IC is on board)	
Power Adapter	P/N: 63000-FSP036RAB608-RS / 36W power adapter / Input: 90VAC~264VAC, 50/60Hz / Output: 12VDC			
Power Requirement	10~28VDC	10~28VDC	10~28VDC	
Power Consumption	25W	25W	28W	

In-Wall Mounting Solutions

AFL-412A-N270

12.1" XGA Fanless In-Wall Panel PC



Features

- 8" ~ 15" TFT LCD with resistive touch screen
- Fanless system with Intel® Atom™ N270 1.6GHz CPU
- Changeable faceplate and sticker skin
- In-wall mechanism design installs in minutes
- Built-in CMOS camera with digital microphone and two 1.5W speakers for multimedia applications (optional)
- Connect peripheral devices through a built-in Bluetooth connection to reduce the amount of cables in the workspace
- VESA-mountable for flexible mounting and deployment
- Ambient light sensor detects ambient light and adjusts screen settings to optimize viewing
- One Digital I/O (4 input/4 output)
- IEI One Key Recovery solution allows you to create rapid OS backup and recovery (Suggest over 4GB storage capacity)

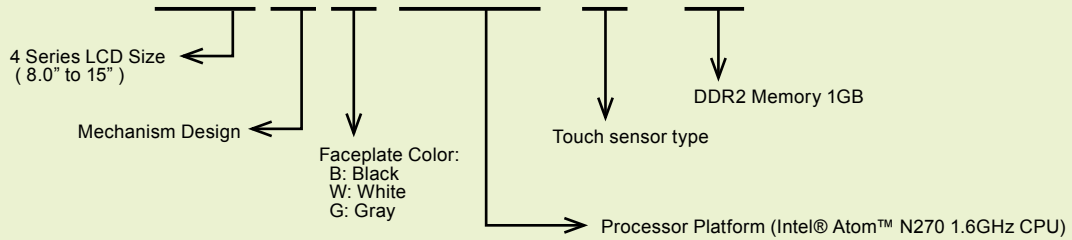


Specifications

Model		AFL-412A-N270	
Display	LCD Size	12.1"	
	Max. Resolution	1024 x 768	
	Brightness (cd/m ²)	500	
	Contrast Ratio	700 : 1	
	LCD Color	262K	
	Pixel Pitch (mm)	0.3075(H) x 0.3075(V)	
	Viewing Angle (H-V)	160° / 160°	
	Backlight MTBF (hrs)	50000	
Motherboard	CPU	Intel® Atom™ N270 1.6GHz CPU	
	Chipset	Intel® 945GSE + ICH7M	
	RAM	Supports one 400MHz or 533MHz DDR2 SO-DIMM (Max. 2GB)	
I/O Ports and Switches		1 x RJ-45 for RS-232 COM Port 1 x RJ-45 for RS-232/422/485 COM Port 1 x RJ-45 for Gigabit LAN 5 x USB 2.0 (4 in the rear, 1 in front panel) 2 x Power switch (inside front panel & rear cover) 1 x Reset button 1 x DIO (4in / 4out) 1 x Terminal block for 10~28VDC input 1 x VGA port 1 x Power jack	
	Drive Bay	HDD Drive Bay	1 x 2.5" SATA HDD bay
		SSD	CF Type II
	Other Function	Watchdog Timer	Software programmable supports 1~255 sec. system reset
		Audio	AMP 1.5W + 1.5W (Internal speakers)
		Wi-Fi	1 x Wireless LAN 802.11 b/g/n module (internal PCIe Mini interface)
		Webcam and Digital Microphone	1 x 2-megapixel camera with digital microphone (internal USB interface)
		Remote Control	1 x Remote controller (LCD on/off; system power on/off; volume; brightness)
	Physical	LED Function	1 x Power ON/OFF LED on front panel
		Construction Material	ABS + PC plastic front frame
		LED Function	1 x Power ON/OFF LED on Front Panel
Mounting		Panel, Wall VESA 75mm x 75mm / 100mm x 100mm	
Front Panel Color		Black (black U) / White (apple white) / Gray (422C)	
Environment	Dimensions (WxHxD) (mm)	339 x 276 x 51.6	
	Operating Temperature (°C)	0°C ~40°C with 2.5 SATA HDD / -10°C ~50°C with CF Card or SATA interface 2.5" SSD HDD	
	Storage Temperature (°C)	-20°C ~60°C	
	Net Weight	1.8 Kg	
Touch Screen	IP Level	IP63	
	EMC	CE, FCC	
		Resistive type 5-wire (touch controller IC is on board)	
Power Adapter		P/N: 63000-FSP050DBAB1405-RS 50W power adapter Input: 90VAC~264VAC, 50/60Hz Output: 12VDC	
	Power Requirement	10~28VDC	
	Power Consumption	32W	

AFL-4xxx In-Wall PPC Product Line Naming Rule

AFL- 408 A B-N270 / R / 1G - R21

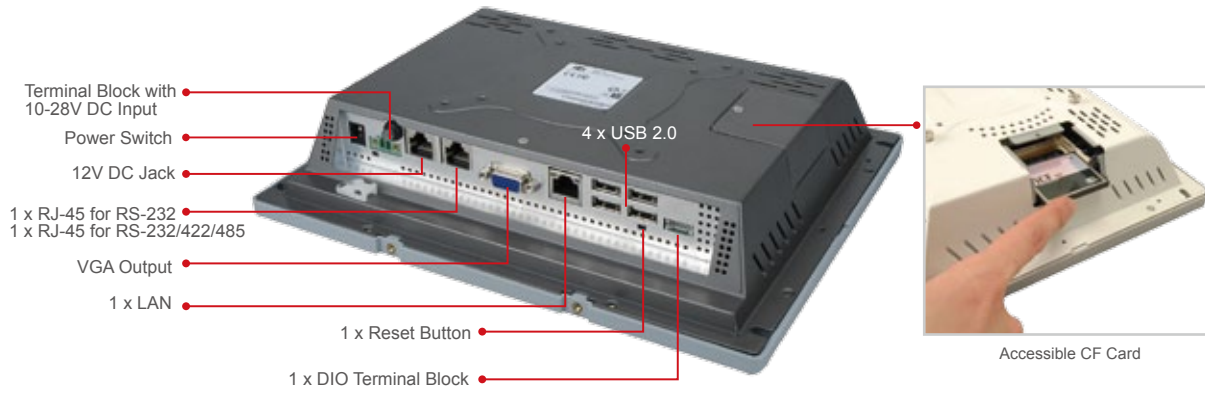


Ordering Information

Model	Description
8"	AFL-408BB-N270/R/1G-R23 8.0" 250 cd/m ² , 800x600 fanless In-wall panel PC with Intel® Atom™ N270 1.6GHz CPU, 1GB DDR2 RAM, AT/ATX mode, 802.11b/g/n wireless, touch screen, 10-28VDC wide range, black color, R23
	AFL-408BW-N270/R/1G-R23 8.0" 250 cd/m ² , 800x600 fanless In-wall panel PC with Intel® Atom™ N270 1.6GHz CPU, 1GB DDR2 RAM, AT/ATX mode, 802.11b/g/n wireless, touch screen, 10-28VDC wide range, white color, R23
	AFL-408BG-N270/R/1G-R23 8.0" 250 cd/m ² , 800x600 fanless In-wall panel PC with Intel® Atom™ N270 1.6GHz CPU, 1GB DDR2 RAM, AT/ATX mode, 802.11b/g/n wireless, touch screen, 10-28VDC wide range, gray color, R23
8.4"	AFL-408AB-N270/R/1G-R23 8.4" 450 cd/m ² , 800x600 fanless In-wall panel PC with Intel® Atom™ N270 1.6GHz CPU, 1GB DDR2 RAM, AT/ATX mode, 802.11b/g/n wireless, 2-megapixel Camera W/Microphone, touch screen, 10-28VDC wide range, black color, R23
	AFL-408AW-N270/R/1G-R23 8.4" 450 cd/m ² , 800x600 fanless In-wall panel PC with Intel® Atom™ N270 1.6GHz CPU, 1GB DDR2 RAM, AT/ATX mode, 802.11b/g/n wireless, 2-megapixel Camera W/Microphone, touch screen, 10-28VDC wide range, white color, R23
	AFL-408AG-N270/R/1G-R23 8.4" 450 cd/m ² , 800x600 fanless In-wall panel PC with Intel® Atom™ N270 1.6GHz CPU, 1GB DDR2 RAM, AT/ATX mode, 802.11b/g/n wireless, 2-megapixel Camera W/Microphone, touch screen, 10-28VDC wide range, gray color, R23
10.2"	AFL-W410AB-N270/R/1G-R31 10.2" 400 cd/m ² , 1024x600 fanless In-wall panel PC with Intel® Atom™ N270 1.6GHz CPU, 1GB DDR2 RAM, AT/ATX mode, 802.11b/g/n wireless, touch screen, 10-28VDC wide range, black color, R31
	AFL-W410AW-N270/R/1G-R31 10.2" 400 cd/m ² , 1024x600 fanless In-wall panel PC with Intel® Atom™ N270 1.6GHz CPU, 1GB DDR2 RAM, AT/ATX mode, 802.11b/g/n wireless, touch screen, 10-28VDC wide range, white color, R31
	AFL-W410AG-N270/R/1G-R31 10.2" 400 cd/m ² , 1024x600 fanless In-wall panel PC with Intel® Atom™ N270 1.6GHz CPU, 1GB DDR2 RAM, AT/ATX mode, 802.11b/g/n wireless, touch screen, 10-28VDC wide range, gray color, R31
12.1"	AFL-412AB-N270/R/1G-R23 12.1" 500 cd/m ² , 1024x768 fanless In-wall panel PC with Intel® Atom™ N270 1.6GHz CPU, 1GB DDR2 RAM, AT/ATX mode, 802.11b/g/n wireless, 2megapixel Camera W/Microphone, touch screen, 10-28VDC wide range, black color, R23
	AFL-412AW-N270/R/1G-R23 12.1" 500 cd/m ² , 1024x768 fanless In-wall panel PC with Intel® Atom™ N270 1.6GHz CPU, 1GB DDR2 RAM, AT/ATX mode, 802.11b/g/n wireless, 2megapixel Camera W/Microphone, touch screen, 10-28VDC wide range, white color, R23
	AFL-412AG-N270/R/1G-R23 12.1" 500 cd/m ² , 1024x768 fanless In-wall panel PC with Intel® Atom™ N270 1.6GHz CPU, 1GB DDR2 RAM, AT/ATX mode, 802.11b/g/n wireless, 2megapixel Camera W/Microphone, touch screen, 10-28VDC wide range, gray color, R23

ISMM Support Functions

	Voltage	Fan	Smart Fan	Temperature	DIO	WDT	Beep
AFL-408A-N270	V			V	V	V	V
AFL-408B-N270							
AFL-W410A-N270	V			V	V	V	V
AFL-412A-N270	V			V	V	V	V



Options

Model	AFL-408A-N270	AFL-408B-N270	AFL-W410A-N270	AFL-412A-N270
Wall Mounting Kit	AFLWK-12			
Arm	ARM-11-RS / ARM-31-RS			
Stand	STAND-B08 / STAND-100-RS		STAND-A12-RS / STAND-100-RS	
V-STAND	VSTAND-A10			VSTAND-A12
9~30VDC to 12VDC Converter Module	IDD-930160-KIT			
OS	OS: Win CE 5.0 (128 MB CF Card)			
	OS: Win CE 6.0 (128 MB CF Card)			
	OS: Win XPE (1 GB CF Card)			
	OS: Linux (2 GB CF Card)			
DC 12V Input UPS	AUPS-A10-R10			
DC 9~36V Input UPS	AUPS-A20-R10			
Faceplate (Black Color)	AFLFP-408A-B-R10	AFLFP-408B-B-R10	AFLFP-W410A-B-R10	AFLFP-412A-B-R10
Faceplate (White Color)	AFLFP-408A-W-R10	AFLFP-408B-W-R10	AFLFP-W410A-W-R10	AFLFP-412A-W-R10
Faceplate (Gray Color)	AFLFP-408A-G-R10	AFLFP-408B-G-R10	AFLFP-W410A-G-R10	AFLFP-412A-G-R10
In-Wall Cage (Optional)	AFLIWC-408-R10	AFLIWC-408-R10	AFLIWC-W410-R10	AFLIWC-412-R10
Bluetooth V2.0+EDR	AFL-BT-KIT01-R10	N/A	N/A	AFL-BT-KIT01-R10

Note: Win CE application without digital microphone function

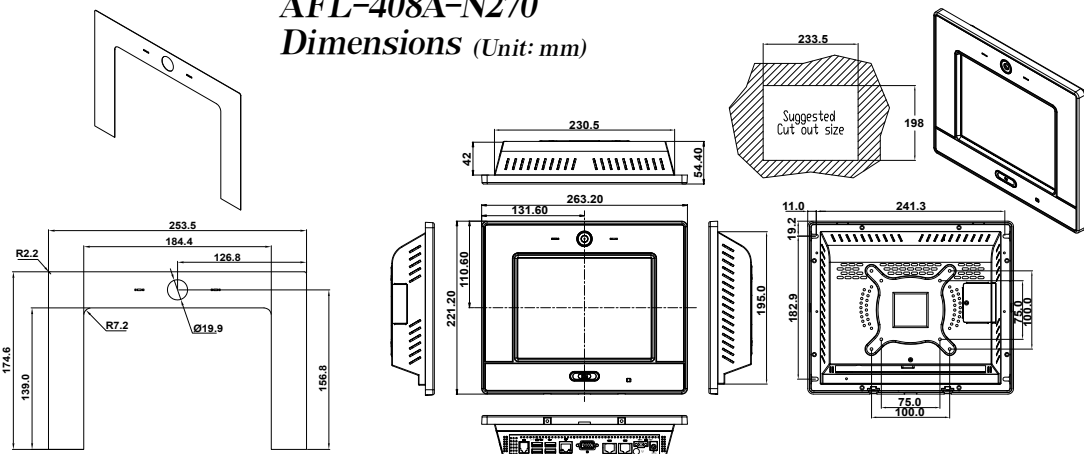
Packing List

Item	P/N	Q'ty	Specifications
Screws	44233-030081-RS	4	M3; ϕ 8mm
Power Adapter	63000-FSP036RAB608-RS 63000-FSP050DBAB1405-RS 63000-FSP060DBAB1553-RS	1	90 ~ 264V 12v; 36W / 50W / 60W
Power Cable	32000-000002-RS	1	1750mm, European Standard
User's Manual CD	7B000-000087-RS	1	
Touch Pen	43125-0002C0-RS	1	
Remote Control Unit	7Z000-8T00320ICP05G-RS	1	
One Key Recovery CD		1	

Changeable Faceplate:

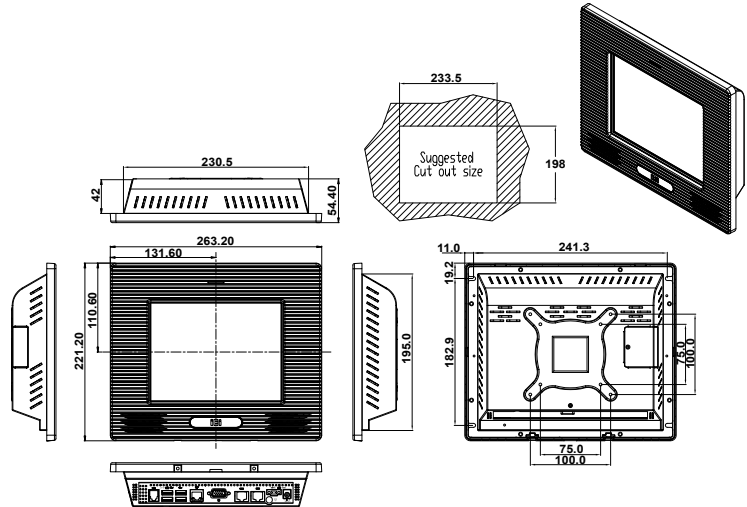
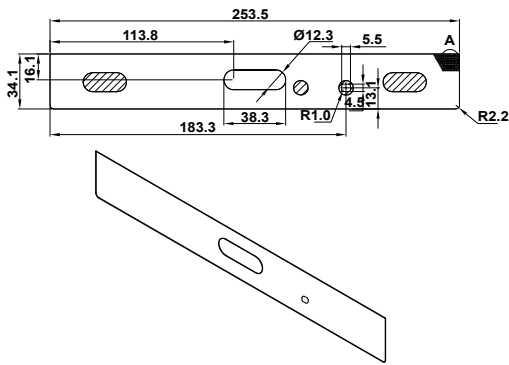


AFL-408A-N270 Dimensions (Unit: mm)



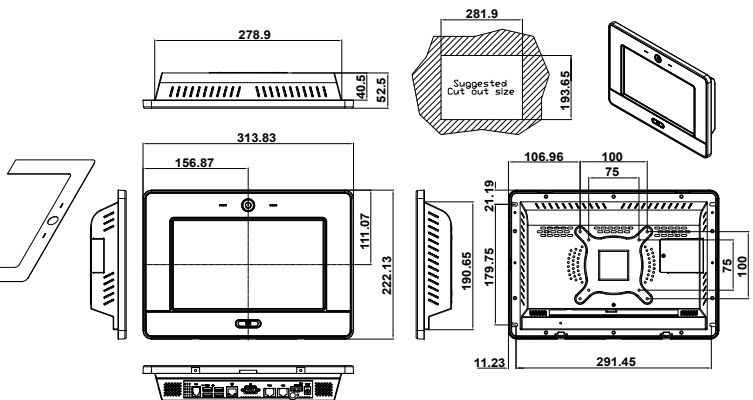
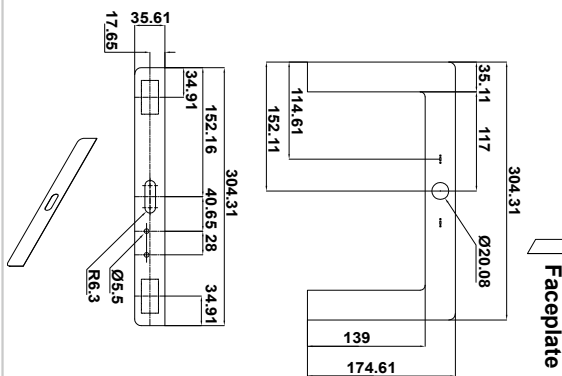
AFL-408B-N270

Dimensions (Unit: mm)



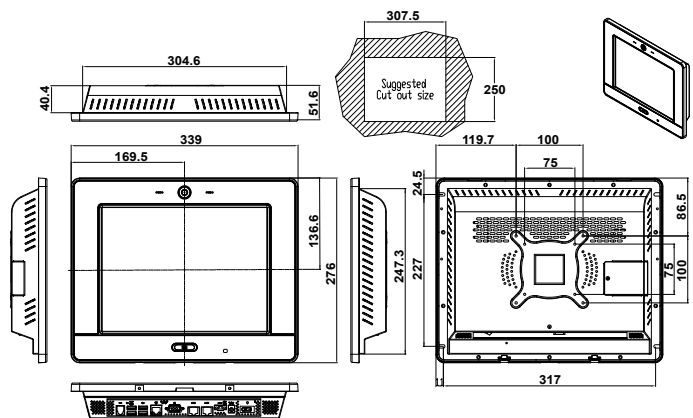
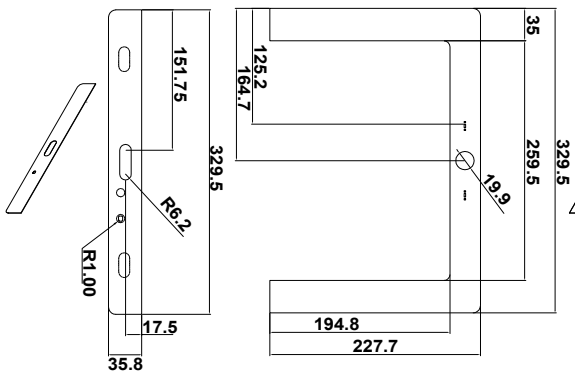
AFL-W410A-N270

Dimensions (Unit: mm)



AFL-412A-N270

Dimensions (Unit: mm)



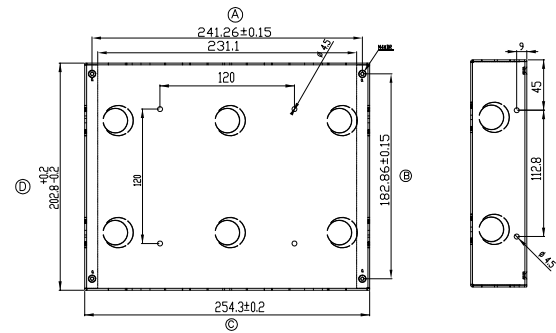
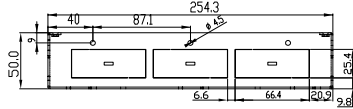
In-Wall Cage



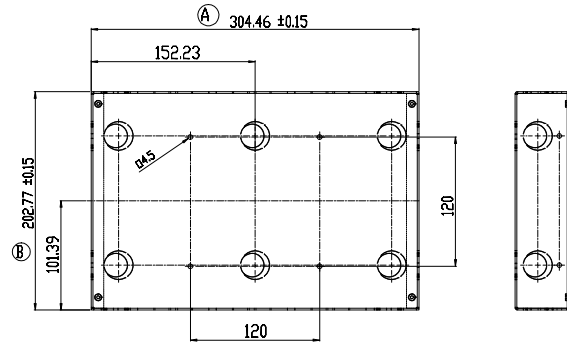
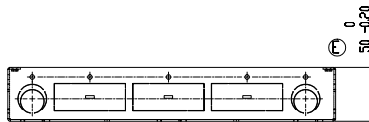
- Cable routing along frame and through knockouts
- Frame allows for a finished look
- Fits: 8.0"- 15" panel displays
- Color: White

Remove appropriate electrical conduit knockouts prior to installation of the cage.

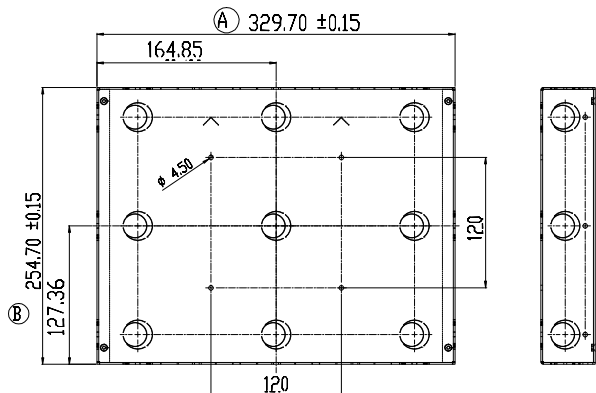
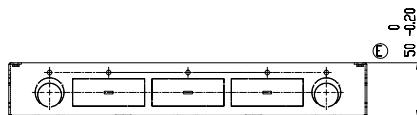
AFLIWC-408A/B-R10 Dimensions (Unit: mm)



AFLIWC-W410A-R10 Dimensions (Unit: mm)



AFLIWC-412A-R10 Dimensions (Unit: mm)



RFID Collector Solutions

ACT-457A

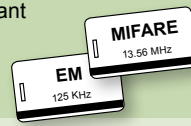
5.7" RISC-based RFID Panel PC

PoE
IEEE802.3at

CMOS Digital Camera with Microphone

Features

- 5.7" TFT touch color screen, full interface display, all operations can be done directly on the touch screen
- Integrating with RMI Alchemy™ AU1250 500MHz media processor provides hardware decoding for MPEG1/2/4, DivX and WMV9
- Dual 125KHz-EM/13.56MHz-Mifare RFID reading capacity
- Built-in open door relay, alarm relay and exit button input
- Windows® CE5.0 operating system support
- IP64 front panel watertight and dustproof is the perfect solution for harsh environments
- Optional IEEE802.3at Power Over Ethernet (PoE) compliant



Low Power, High Multimedia Performance

Integrated with RMI Alchemy™ technology to enable users to play DVD quality video efficiently at full-frame rates with low power consumption. The integrated MAE (Media Acceleration Engine) supports common digital video formats including MPEG1, 2, 4, DivX, and WMV9, and delivers full D1 resolution without the need for a DSP or specialized coding.

Multi Video/Audio Format Support Table			
Format	Stream Type	Audio Format	Supported Bit Rates
MPEG-1	System	MPEG	8 Mbps
	Program	MPEG	10 Mbps
MPEG-2	Transport	MPEG	8 Mbps
	Unencrypted only	WMA	2.5 Mbps
WMV9	CBR w/o filters, 720x480	WMA	2.5 Mbps
	VBR w/o filters, 720x480	WMA	2.5 Mbps
DivX	Unencrypted only / no subtitles - V3.11	MP3/AAC/MPEG	4 Mbps
	V4	MP3/AAC/MPEG	4 Mbps
	V5	MP3/AAC/MPEG	4 Mbps
MPEG-4 MP4 ISO/EIC 14496-2	Advanced Simple Profile – level 5	AAC	3 Mbps
MPEG-4 AVI	Advanced Simple Profile – level 5	MP3, AC-3	4 Mbps



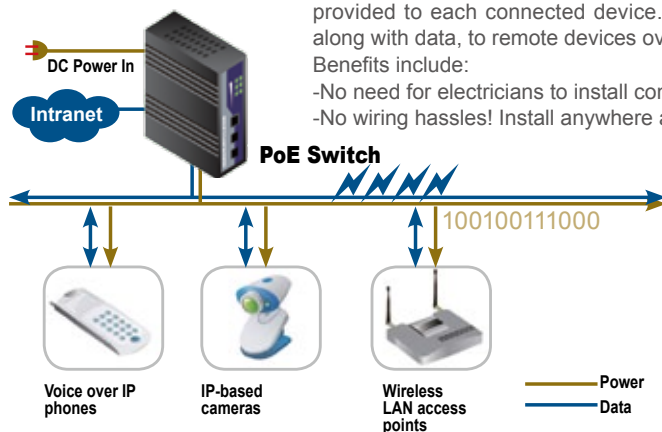
6.2W Only

PoE Power Reduces Cost of System Installation

The ACT-457A is IEEE 802.3at compliant. The IEEE 802.3at PoE standard ensures that 25W of DC power is provided to each connected device. PoE Technology describes a system to safely transfer electrical power, along with data, to remote devices over standard category 5e cable in an Ethernet network.

Benefits include:

- No need for electricians to install conduit, electrical wiring, and outlets throughout the enterprise.
- No wiring hassles! Install anywhere a RJ-45 jack is present.



PoE
IEEE802.3at

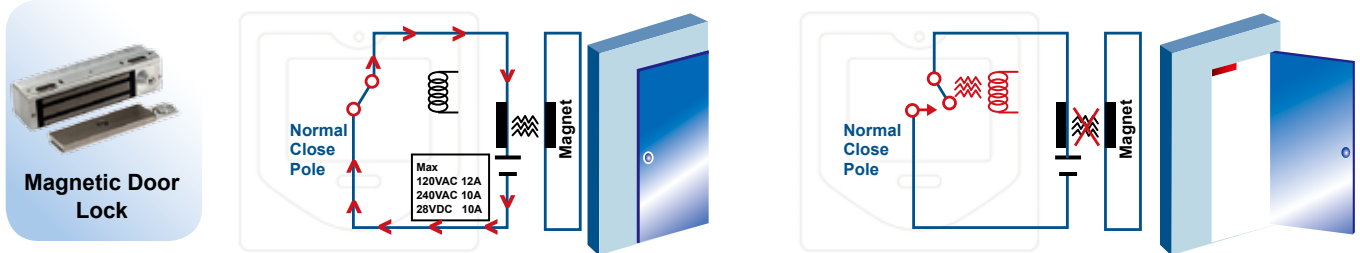


How Does the Relay Switch Work in the ACT-457A?

The ACT-457A has two built-in output controls. Electricity flows through one circuit while the other circuit controls the flow of electricity. When the electromagnet is energized, it exerts a force on the armature that overcomes the pull of the spring and moves the contact. The contact is then complete or the circuit is broken. When the electromagnet is de-energized, the contact returns to its original position.

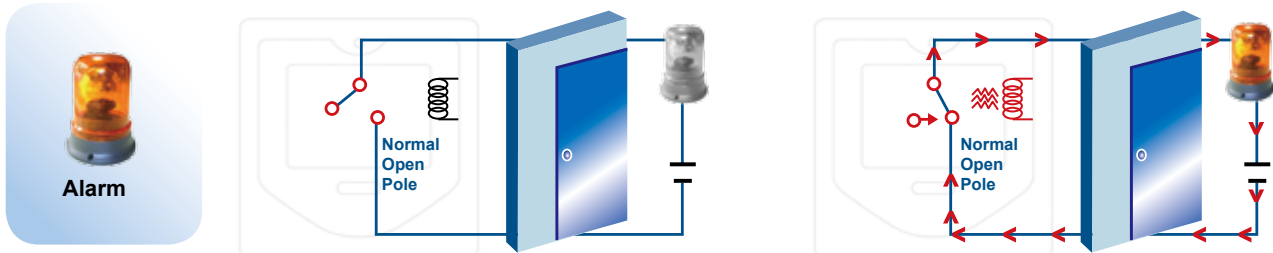
Normal Close Example:

In its normal state, the relay is typically closed. When the electromagnet is energized, it will open and break the circuit.



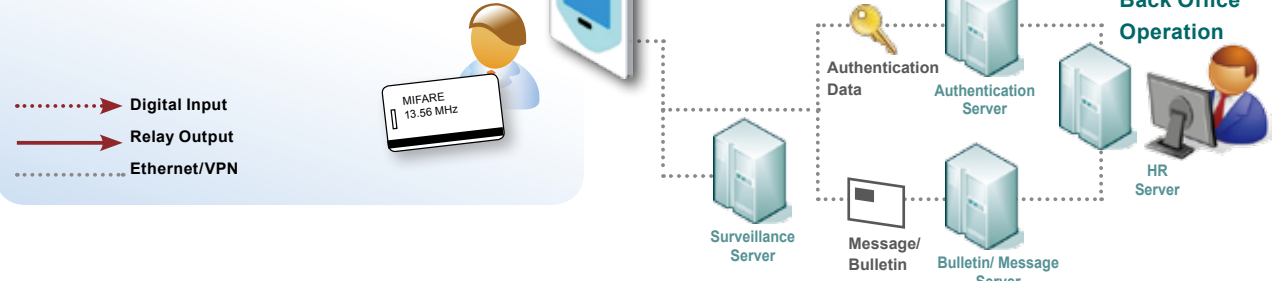
Normal Open Example:

When the relay is open, there is no connection between the two wires until the relay receives a signal (outside source energizes the relay) to close. Simply put, an open relay is the same as a light switch that is turned off, and will always be off until turn on.



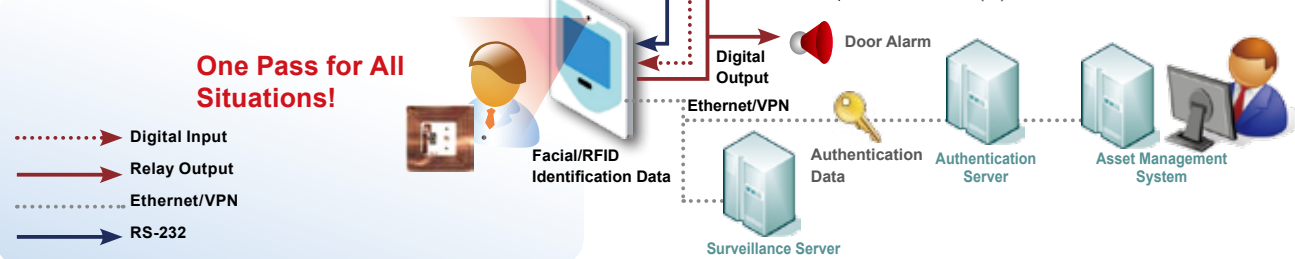
EM Application Access Control

When a user is identified by RFID sensor, their personal access information will be automatically stored and backed up on the surveillance server. At the same time, identification data will be sent to the back-end system for processing. Authentication server will confirm with a valid list and feedback the result via Ethernet.



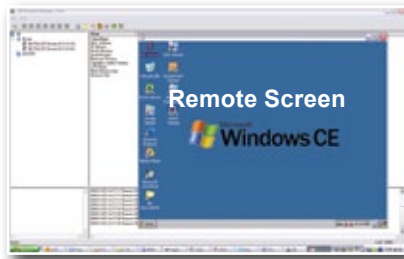
Mifare Application Restrict Assets

What is MIFARE®?
MIFARE is a contact-less smart card technology owned by Philips. MIFARE technology is based on ISO 14443A and operates at a frequency of 13.56 MHz. Its application segments range from identification, access control, payment and billing systems, and many more.



Remote Management Tool

IEI RMT allows remote management of several ACT terminals at the same time via a network. You can quickly access distributed ACT terminals from anywhere in the world and control/resolve issues remotely!



IEI RMT Tool

Input the IP address range on the Internet, the management system will automatically scan the distributed ACT terminals in the desired range.

Web-based Configurator

Allows users to access ACT-457A and modify the settings on a web browser interface anytime, anywhere without installing any applications. It makes management of ACT-457A easy and convenient for IT administrators and reduces your system maintenance costs.



System Setting

User can recall system information and set up Ethernet and Wireless parameters using the system setting menu. The remote restart option allows users to restart the system when any abnormal circumstance occurs and a restart procedure is needed.



Runtime DEMO

ACT Runtime Demo is a pre-installed application which introduces the functions of the ACT-457A to new users.



300K Pixel CMOS Camera

In the video camera window, user can preview video output. The Capture and Open function enables user to capture preview image, save as bitmap file and open.



Access Control by Smart Card or Exit Button

On the home automation page, user can open the magnetic door by pressing the exit button or reading a sample RFID card.



Member Login

User can test the RFID reading function on the member login page. When a sample card is read, the application will identify and display personnel information on the screen. User can edit the valid XML member list file with PC-based utility included on the ACT-457A.

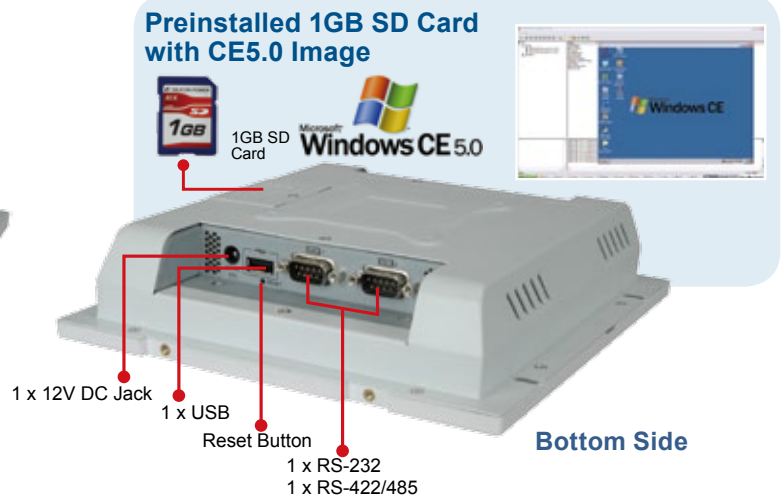
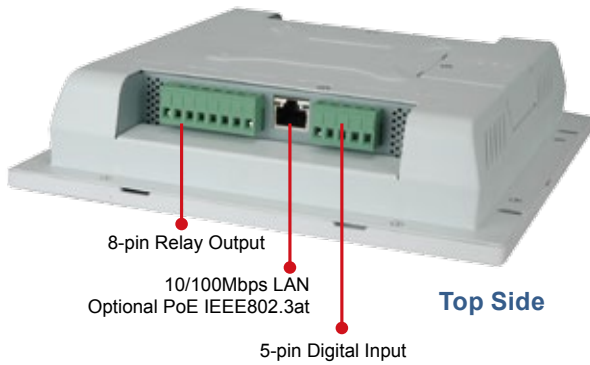


Alarm

Pressing the light button enables the on-screen lights. (Shown: the access door alarm is activated)



I/O Interface

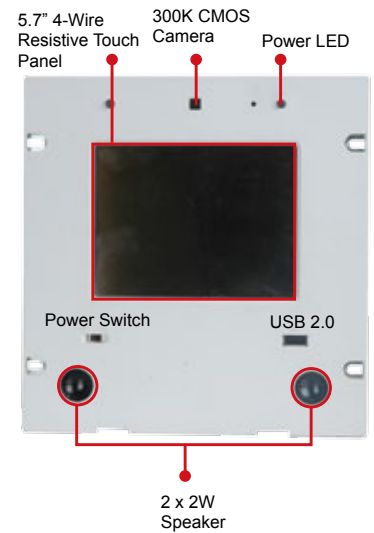
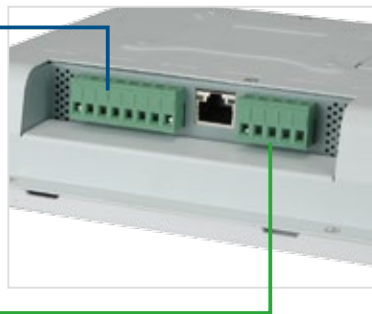


Digital Input/Relay Output Pin Definition

Relay Output

Pin	Assignment
1	+12V
2	Ground
3	Relay Output-1 (For Electronic Lock Common)
4	Relay Output-1 (For Electronic Lock Normal Close)
5	Relay Output-1 (For Electronic Lock Normal Open)
6	Relay Output-2 (For Alarm Normal Open)
7	Relay Output-2 (For Alarm Normal Close)
8	Relay Output-2 (For Alarm Common)

2 Relay Output

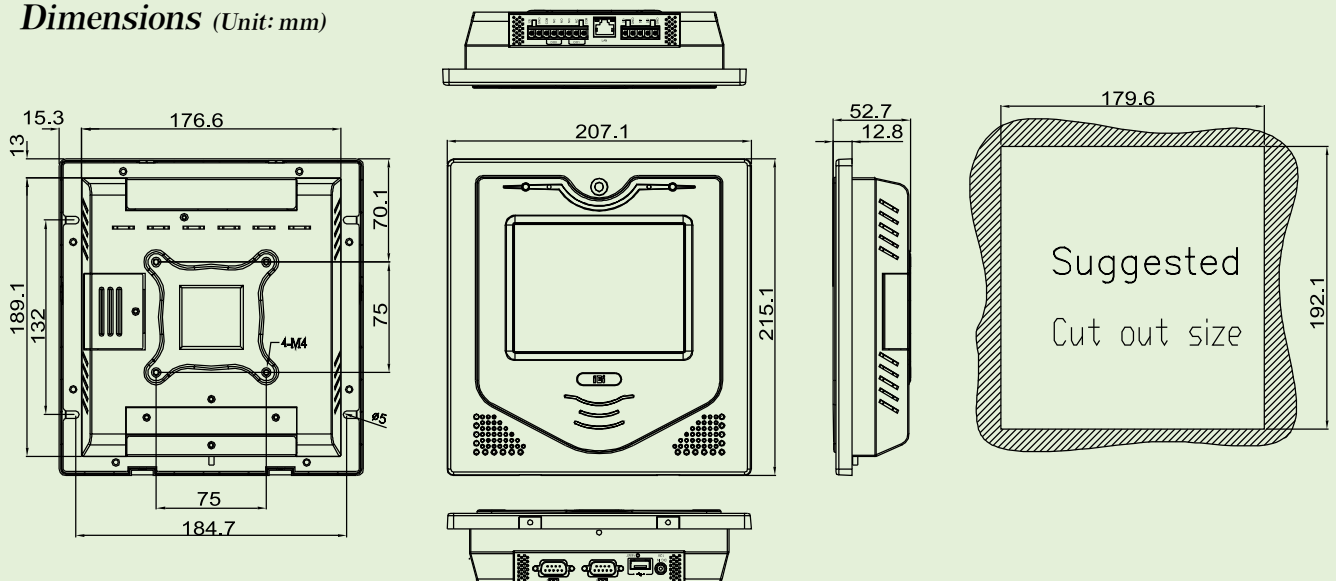


Digital Signal Input

Pin	Assignment
1	Digital Signal Input-1 (For Exit Button)
2	Ground
3	Digital Signal Input-2 (For Door Sensor)
4	Ground
5	Ground

ACT-457A

Dimensions (Unit: mm)



Specifications


Model	ACT-457A-1250				
Display	LCD Size	5.7"	RFID Module	Working Frequency	EM 125KHz and MIFARE 13.56MHz
	Max. Resolution	640 x 480		Reading Range	1~3 cm (Under 13.56MHz)/ 5 cm (Under 125KHz)
	Brightness (cd/m ²)	400	Drive Bay	SSD	SD Card
	Contrast Ratio	300 : 1	Other Features	Watchdog Timer	Software programmable supports 1~255 sec. System reset
	LCD Color	262K		Audio	AMP 2W + 2W
	Pixel Pitch (mm)	0.06(H) x 0.18(V)		Extension	Webcam & Mic Function
	Viewing Angle (H-V)	140°/100°	Physical	LED Function	1 x Power ON/OFF LED on Front Panel
	Backlight MTBF (hrs)	50000 (LED Backlight)		Construction Material	ABS + PC Plastic front frame
Motherboard	CPU	Alchemy™ AU1250 500MHz		Mounting	Panel, Wall, VESA 75mm x 75mm
	Bootloader Storage	2MB		Front Panel Color	Blue & White
	RAM	256MB DDR2 SDRAM	Net Weight	0.7Kg	
	OS/Program Storage	1GB SD card for WIN CE 5.0 OS and user's Program	Dimensions (WxHxD) (mm)	215 x 207 x 52.7	
I/O Ports	1 x RS-232 COM port		Environment	Operating Temperature (°C)	-10°C ~60°C
	1 x RS-422/485 COM port			Storage Temperature (°C)	-20°C ~70°C
	1 x RJ-45 for 10/100Mbps Ethernet with PoE			IP Level	IP64
	2 x USB 2.0			EMC	CE, FCC
	1 x Power jack		Power over Ethernet	Optional IEEE 802.3at (via RJ45 10/100Mbps LAN)	
	1 x Reset button			Touch Screen	Resistive Type 4-Wire
	1 x 5-pin terminal block for signal input		Power Adapter	63000-FSP040DGAA1106-RS	
	2 x Digital Input *			Power: 40W	
	3 x GND			Input: 90VAC~264VAC, 50/60Hz	
	1 x 8-pin terminal block for relay output		Power Requirement	12V DC-IN	
2 x Relay (one NC and one NO contacts for Alarm, one NC and one NO contacts for Lock)		Power Consumption	9W , Maximum 21W (include Max 12V@1A internal Power output)		
1 x 12V 1A max. output (for door control)					
1 x GND					

*Low level(0): 2V MAX., High level (1): +4~+50V

Relay Specifications

Contact Rating	12A 120VAC, 10A 240VAC, 10A 28VDC
Max. switching voltage	240VAC, 60VDC
Max. switching current	12A
Min. switching load	10mA 5VDC

Ordering Information

Model	Description
ACT-457A-1250/T-R/POE/R10 	5.7" 400cd/m ² VGA fanless panel PC with Alchemy™ AU1250 500MHz, touch screen, 3-megapixel camera, MIFARE & EM RFID module, door control, IEEE802.3at PoE, 256MB DDR2, RoHS

Packing List

Item	P/N	Q'ty	Specifications
Self Drill Oval Head Screw	44233-030081-RS	4	M3*8 ;T24
Power Cord	32000-000002-RS	1	1830MM; European Power Cord
Power Adapter	63000-FSP040DGAA1106-RS (40W Power Adapter)	1	VAC: 90V~264V; 40W; 1500MM
Touch Pen	43125-0002C0-00-RS	1	
One Key Recovery CD		1	
Utility CD			

Utility CD includes:

- ACT-457A User Manual
- ACT-457A DEMO AP (w/ source code)
- ACT-457A SDK
 - IEI MIPS Windows® CE standard SDK
 - Record application development guide
 - Camera application development guide
 - DI/DO application development guide
 - RFID configuration guide
- IEI Utilities
 - ACT Remote Management Tool
 - ACT Web-based Configurator



*Preinstalled 1 GB SD card with CE5.0 image