

# IVS-300-ULT3

Vehicle Surveillance System

**New**

## Features

- Intel® Skylake ULT /Baytrail processor
- 4 x PoE IEEE802.3af
- 2x Hot-swappable 2.5" drive bay
- Optional 3G/Wi-Fi
- 2 x RS-232, 1 x Isolated RS-422/485
- 4 x DI/DO
- 1 x HDMI (lockable), 1 x VGA

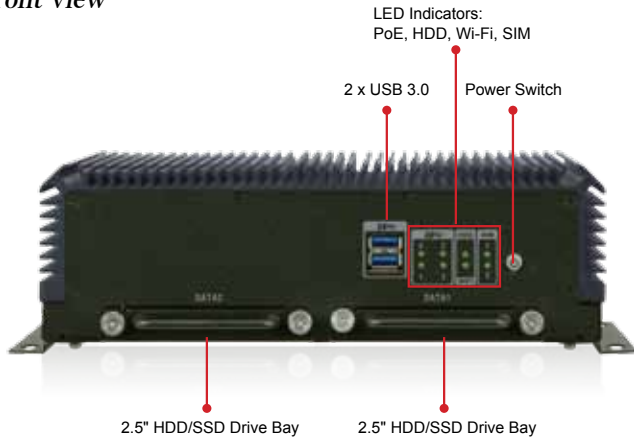


## Specifications

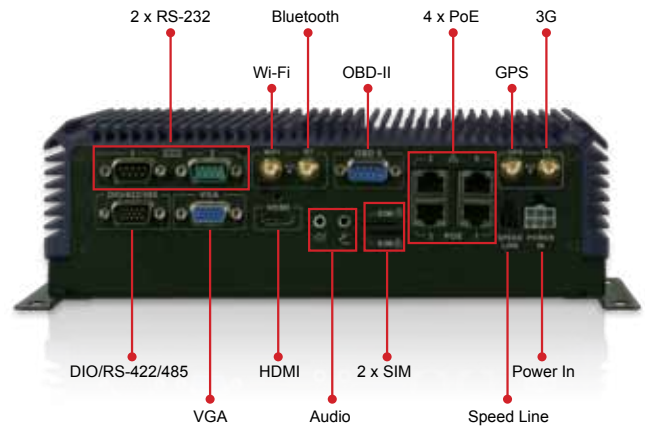
| Model Name             |                         | IVS-300-ULT3   |
|------------------------|-------------------------|--|
| Chassis                | Color                   | Blue C   |
|                        | Dimensions (WxHxD) (mm) | 255 x 80 x 185   |
|                        | System Fan              | Fanless  |
|                        | Chassis Construction    | Extruded aluminum alloy  |
| Motherboard            | CPU                     | Intel® Skylake ULT /Baytrail processor   |
|                        | Chipset                 | SoC  |
|                        | System Memory           | 2 x 204-pin DDR3L SO-DIMM. 1 x 4GB pre-installed   |
| Storage                | Hard Drive              | 2 x 2.5" SATA 6Gb/s SSD removable drive bay  |
| Communication          | WLAN                    | PCIe Mini Wi-Fi 802.11 b/g/n 1T1R optional   |
|                        | Bluetooth               | BT 2.0 (Combo with WWAN)   |
|                        | WWAN                    | PCIe Mini WCDMA/HSDPA/HSUPA optional   |
|                        | GPS                     | On board GPS   |
| I/O Interfaces         | USB 3.0                 | 2  |
|                        | Ethernet                | 4 x RJ-45 PoE IEEE802.3af (Each port max 15.4W)<br>4 x PCIe GbE by Intel® i210-AT  |
|                        | COM port                | 2 x DB-9 RS-232<br>1 x DB-15 isolated RS-422/485   |
|                        | Digital I/O             | Isolated 8-bit digital I/O (4-bit input, 4-bit output)   |
|                        | CAN-Bus/OBD-II          | 1 x DB9 CAN-Bus/OBD-II   |
|                        | Display                 | 1 x VGA, 1 x HDMI  |
|                        | Audio                   | 1 x Mic in, 1 x Line out   |
|                        | SIM                     | 2  |
| Expansions             | Antenna                 | 1 x 3G, 1 x GPS, 1 x BT, 1 x Wi-Fi   |
|                        | PCIe Mini               | 1 x Half-size PCIe Mini (reserved for Wi-Fi)<br>1 x Full-size PCIe Mini (reserved for 3G)<br>1 x Full-size PCIe Mini (only for skylake platform) |
|                        | Indicator               | 8 x LED (4 PoE, 1 HDD, 1 Wi-Fi, 2 SIM)   |
| Led Indicator & Button | Button                  | 1 x Power button   |
|                        | Power Input             | DC 9~36V   |
| Power                  | Consumption             | 12 V @ 8 A<br>(Intel® i5-6300U with 4 GB DDR3 memory & 4 PoE)  |
|                        | Mounting                | Wall mount   |
| Reliability            | Operating Temperature   | -20°C ~ 60°C with air flow   |
|                        | Storage Temperature     | -30°C ~ 70°C   |
|                        | Humidity                | 5% ~ 95%, non-condensing   |
|                        | Operating Shock         | Half-sine wave shock 5G, 11ms, 3 shocks per axis   |
|                        | Operating Vibration     | MIL-STD-810F 514.5C-2 (with SSD)   |
|                        | Weight (Net/Gross)      | 3kg/4.5kg  |
|                        | Safety/EM C             | CE/FCC/E-Mark  |
| OS                     | Supported OS            | Microsoft® Windows® Embedded 8, Microsoft® Windows® Embedded Standard 7 E  |

Fully Integrated I/O

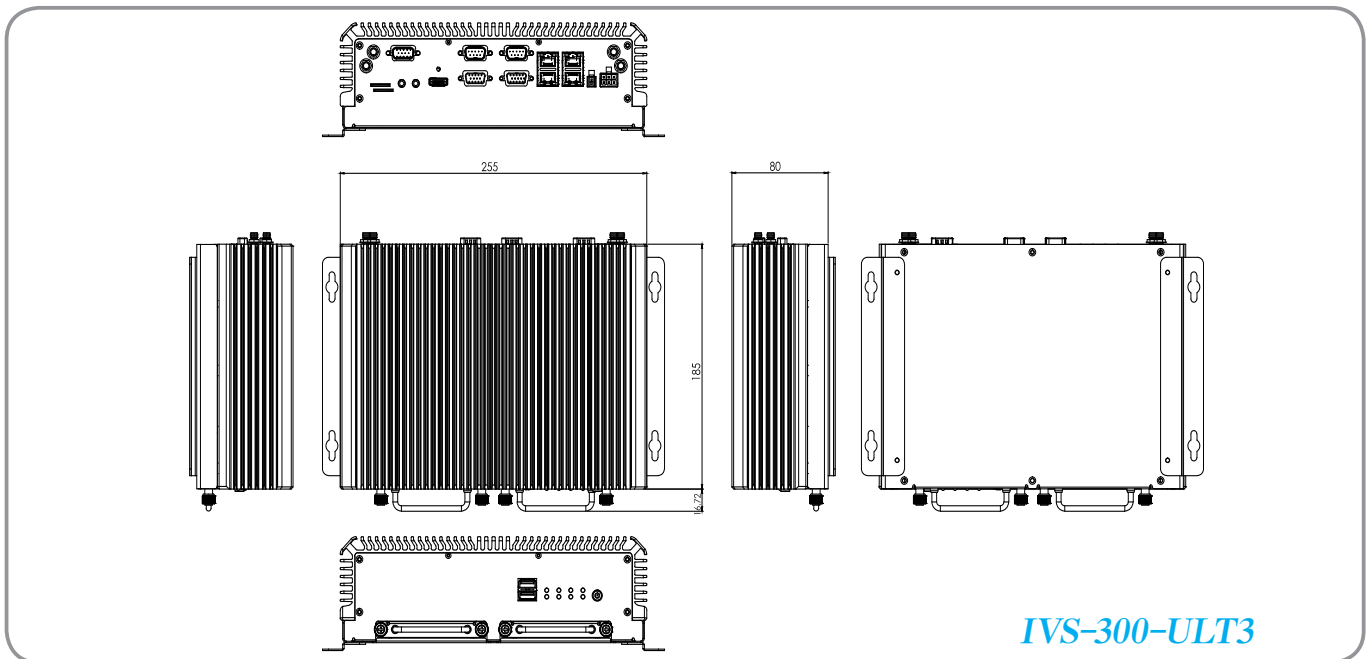
Front view



Rear view



Dimensions (Unit: mm)



Ordering Information

| Part No.               | Description  |
|------------------------|--|
| IVS-300-ULT3-I5/4G-R10 | Fanless embedded system with 6th generation 14nm Intel® Core™ i5-6300U (15W) mobile processor (ULT) with 4GB DDR3L pre-installed memory, PoE, on-board GPS, HDMI, VGA, two 2.5" removable SATA HDD bay, RoHS |
| IVS-300-BT-J1/4G-R10   | Fanless embedded system with Intel® Celeron® Processor J1900 (10W) Processor with 4GB DDR3L pre-installed memory, PoE, on board GPS, HDMI, VGA, two 2.5" removable SATA HDD bay, RoHS                        |

Options

| Part No.                 | Description  |
|--------------------------|--|
| IVS-300-ULT3-WES7E64-R10 | OS Image with Windows® Embedded Standard 7 E 64-bit for IVS-300-ULT3, with DVD-ROM, RoHS   |
| IVS-300-BT-WES7E64-R10   | OS Image with Windows® Embedded Standard 7 E 64-bit for IVS-300-BT, with DVD-ROM, RoHS   |
| IVS-WIFI-KIT01-R10       | 1T1R Wi-Fi module kit for embedded system, IEEE 802.11b/g/n, 1 x Wi-Fi module, 1 x Antenna, RoHS                                     |
| IVS-WIFI-KIT02-R10       | 1T1R Wi-Fi module kit for embedded system, IEEE802.11a/b/g/n/ac Wi-Fi with Bluetooth 4.0/3.0+HS, 1 x Wi-Fi module, 1 x Antenna, RoHS |
| IVS-3G-KIT01-R10         | F260 3G module, BT V2.1, RoHS  |
| IVS-3G-KIT02-R10         | 3G module kit for embedded system, F260, 1 x 3G module, 1 x Antenna, RoHS  |

\*The IVS-300 embedded system only supports one Bluetooth connection. It is suggested not to purchase a Wi-Fi kit together with a WWAN kit that both have Bluetooth function, e.g. IVS-3G-KIT01-R10 with IVS-WIFI-KIT02-R10.

Packing List

| Item            | P/N                 | Qty | Description   |
|-----------------|---------------------|-----|---|
| ACC power cable | 32002-001900-100-RS | 1   | Round cable, power cable, 3000 mm, 16 AWG, (A) MOLEX 5557-04P P=4.2, RoHS   |
| GPS/GSM antenna | 32506-000100-100-RS | 1   | Integration antenna, GPS/GSM, RG 174, 5000 mm/5000 mm, PPF-5423SA5X-999, magnetic mount: φ55 mm x 22mm, 1575.42 MHz/850 MHz/900 MHz/1800 MHz/1900 MHz, 2 x SMA plug, RoHS |
| Utility CD      |                     | 1   | User manual and driver CD   |