

AWK-5232 Series

Industrial IEEE 802.11a/b/g/n dual-radio wireless AP/bridge/client



- > IEEE 802.11a/b/g/n compliant
- > Dual-radio design: 2.4 GHz and/or 5 GHz RF bands
- > Redundant power inputs and PoE+
- > Compliant with essential sections of EN 50155
- > -40 to 75°C operating temperature range (T models)



Introduction

The AWK-5232 Industrial a/b/g/n Wireless AP/bridge/client is an ideal wireless solution for hard-to-wire situations and all mobile equipment which is connected over a TCP/IP network. It can provide a faster connection and wider range than 802.11g models, especially a noticeably stronger connection at distance. With two independent RF modules, the AWK-5232 supports a great variety of wireless configurations and applications, and the redundant wireless connections increase the reliability of the entire wireless network. The AWK-5232 is compliant with the essential sections of EN 50155, covering operating temperature, power input voltage, surge, ESD and vibration. The AWK-5232's two DC power inputs increases the power supply reliability, and it can also be powered via PoE+ for easier deployment.

Specifications

WLAN Interface

Standards:

- IEEE 802.11a/b/g/n for Wireless LAN
- IEEE 802.11i for Wireless Security
- IEEE 802.3 for 10BaseT
- IEEE 802.3u for 100BaseTX
- IEEE 802.3ab for 1000BaseT
- IEEE 802.3at for Power-over-Ethernet Plus
- IEEE 802.1D for Spanning Tree Protocol
- IEEE 802.1w for Rapid STP
- IEEE 802.1Q for VLAN

Spread Spectrum and Modulation (typical):

- DSSS with DBPSK, DQPSK, CCK
- OFDM with BPSK, QPSK, 16QAM, 64QAM
- 802.11b: CCK @ 11/5.5 Mbps, DQPSK @ 2 Mbps, DBPSK @ 11 Mbps
- 802.11a/g: 64QAM @ 54/48 Mbps, 16QAM @ 36/24 Mbps, QPSK @ 18/12 Mbps, BPSK @ 9/6 Mbps
- 802.11n: 64QAM @ 300 Mbps to BPSK @ 6.5 Mbps (multiple rates supported)

Operating Channels (central frequency):

- US: 2.412 to 2.462 GHz (11 channels)
5.18 to 5.24 GHz (4 channels)
- EU: 2.412 to 2.472 GHz (13 channels)
5.18 to 5.24 GHz (4 channels)

Higher Data Rate and Greater Bandwidth

- High-speed wireless connectivity with up to 300 Mbps data rate
- MIMO technology improves data throughput via multiplexed, smart antenna transmissions and receptions
- Channel bonding technology for increased throughput or channel redundancy

Redundancy to Increase System Reliability

- Dual DC power inputs and PoE+
- Immunity against disconnection caused by radio interference

Specifications for Industrial-grade Applications

- 64-bit and 128-bit WEP (Wired Equivalent Privacy)
- Enable/disable SSID broadcasts
- Power filters for access control
- IEEE/802.11X/RADIUS supported
- WPA/WPA2/802.11i supported

JP:

- 2.412 to 2.472 GHz (13 channels, OFDM)
- 2.412 to 2.484 GHz (14 channels, DSSS)
- 5.18 to 5.24 GHz (4 channels for W52)

Security:

- SSID broadcast enable/disable
- Firewall for MAC/IP/Protocol/Port-based filtering
- 64-bit and 128-bit WEP encryption, WPA /WPA2-Personal and Enterprise (IEEE 802.1X/RADIUS, TKIP and AES)

Transmission Rates:

- 802.11b: 1, 2, 5.5, 11 Mbps
- 802.11a/g: 6, 9, 12, 18, 24, 36, 48, 54 Mbps
- 802.11n: 6.5 to 300 Mbps (multiple rates supported)

TX Transmit Power:

- 802.11b: 1 to 11 Mbps: Typ. 18 dBm (± 1.5 dBm)
- 802.11g: 6 to 24 Mbps: Typ. 18 dBm (± 1.5 dBm)
36 to 48 Mbps: Typ. 17 dBm (± 1.5 dBm)
54 Mbps: Typ. 15 dBm (± 1.5 dBm)
- 802.11a: 6 to 24 Mbps: Typ. 17 dBm (± 1.5 dBm)
36 to 48 Mbps: Typ. 16 dBm (± 1.5 dBm)
54 Mbps: Typ. 14 dBm (± 1.5 dBm)

TX Transmit Power MIMO:

- 802.11a/n (20/40 MHz): MCS15 20 MHz: Typ. 13 dBm (± 1.5 dBm)

MCS15 40 MHz: Typ. 12 dBm (± 1.5 dBm)
 802.11g/n (20 MHz):
 MCS15 20 MHz: Typ. 14 dBm (± 1.5 dBm)

RX Sensitivity:

802.11b:
 -92 dBm @ 1 Mbps, -90 dBm @ 2 Mbps, -88 dBm @ 5.5 Mbps, -84 dBm @ 11 Mbps
 802.11g:
 -87 dBm @ 6 Mbps, -86 dBm @ 9 Mbps, -85 dBm @ 12 Mbps, -82 dBm @ 18 Mbps, -80 dBm @ 24 Mbps, -76 dBm @ 36 Mbps, -72 dBm @ 48 Mbps, -70 dBm @ 54 Mbps
 802.11a:
 -87 dBm @ 6 Mbps, -86 dBm @ 9 Mbps, -85 dBm @ 12 Mbps, -82 dBm @ 18 Mbps,
 -80 dBm @ 24 Mbps, -76 dBm @ 36 Mbps, -72 dBm @ 48 Mbps, -70 dBm @ 54 Mbps

RX Sensitivity MIMO:
 802.11a/n:
 -68 dBm @ MCS15 40 MHz, -69 dBm @ MCS15 20 MHz,
 -70 dBm @ MCS7 40 MHz, -71 dBm @ MCS7 20 MHz
 802.11g/n:
 -69 dBm @ MCS15 20 MHz, -71 dBm @ MCS7 20 MHz

Protocol Support

General Protocols: Proxy ARP, DNS, HTTP, HTTPS, IP, ICMP, SNMP, TCP, UDP, RADIUS, SNMP, PPPoE, DHCP
AP-only Protocols: ARP, BOOTP, DHCP, STP/RSTP (IEEE 802.1D/w)

Interface

Default Antennas*: 4 dual-band omni-directional antennas, 2 dBi, RP-SMA (male)
 *Only available with the AWK-5232 model.
Connector for External Antennas:
 AWK-5232: RP-SMA (female)
 AWK-5232-M12: QMA (female)
RJ45 Ports: 2, 10/100/1000BaseT(X), auto negotiation speed, F/H duplex mode, and auto MDI/MDI-X connection (AWK-5232 only)
M12 Ports: 2, 10/100/1000BaseT(X) auto negotiation speed, F/H duplex mode, and auto MDI/MDI-X connection (AWK-5232-M12 only)

Console Port: RS-232 (RJ45-type)

LED Indicators: PWR1, PWR2, PoE+, FAULT, STATE, WLAN1, WLAN2, 100M, 1000M (TP Ports), LAN1, LAN2 (M12 Ports)

Alarm Contact (Digital Output): 1 relay output with current carrying capacity of 1 A @ 24 VDC

Digital Inputs: 2 electrically isolated inputs

- +13 to +30 V for state "1"
- +3 to -30 V for state "0"
- Max. input current: 8 mA

Physical Characteristics

Housing: Metal, IP30 protection

Weight: 1.2 Kg

Dimensions: 74.55 x 135 x 105 mm (2.94 x 5.31 x 4.13 in)

Installation: DIN-Rail mounting (standard), wall mounting (optional)

Environmental Limits

Operating Temperature:

Standard Models: -25 to 60°C (-13 to 140°F)

Wide Temp. Models: -40 to 75°C (-40 to 167°F)

Storage Temperature: -40 to 85°C (-40 to 185°F)

Ambient Relative Humidity: 5% to 95% (non-condensing)

Power Requirements

Input Voltage: 12 to 48 VDC, redundant dual DC power inputs or 48 VDC Power-over-Ethernet Plus (IEEE 802.3at compliant)

*Compliant with EN 50155 on 24 VDC

Connector: 10-pin removable terminal block

Power Consumption: 12 to 48 VDC, 1.5 A (max.)

Reverse Polarity Protection: Present

Standards and Certifications

Safety: UL 60950-1, EN 60950-1

EMC: EN 301 489-1/17, FCC Part 15 Subpart B, EN 55022/55024, IEC 61000-6-2/4

Radio: EN 300 328, EN 301 893

Rail Traffic: EN 50155, EN 50121-1/4

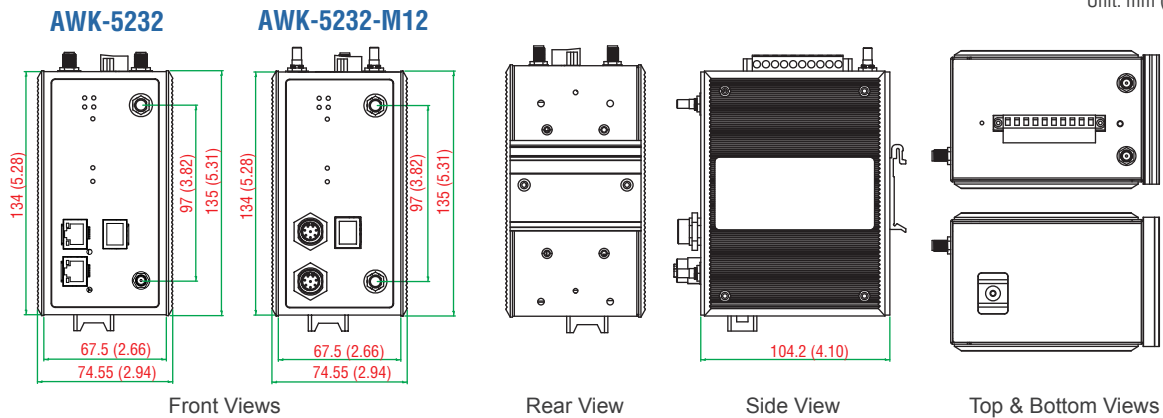
Note: Please check Moxa's website for the most up-to-date certification status.

Warranty

Warranty Period: 5 years

Details: See www.moxa.com/warranty

Dimensions



Ordering Information

Model Name	Available Models		Port Interface		Antenna Interface	
	Standard Temperature (-25 to 60°C)	Wide Temperature (-40 to 75°C)	2, 10/100/1000BaseT(X)		RP-SMA	QMA
AWK-5232						
AWK-5232-US	✓	-	✓	-	✓	-
AWK-5232-EU	✓	-	✓	-	✓	-
AWK-5232-JP	✓	-	✓	-	✓	-
AWK-5232-US-T	-	✓	-	-	-	-
AWK-5232-EU-T	-	✓	-	-	-	-
AWK-5232-JP-T	-	✓	-	-	-	-
AWK-5232-M12						
AWK-5232-M12-US	✓	-	-	✓	-	✓
AWK-5232-M12-EU	✓	-	-	✓	-	✓
AWK-5232-M12-JP	✓	-	-	✓	-	✓
AWK-5232-M12-US-T	-	✓	-	-	-	✓
AWK-5232-M12-EU-T	-	✓	-	-	-	✓
AWK-5232-M12-JP-T	-	✓	-	-	-	✓

Package Checklist

- AWK-5232 wireless AP/bridge/client
- Cable holder with 1 screw
- 2 plastic RJ45 protective caps for LAN & Console ports
- 1 plastic M12-female protective cap (AWK-5232-M12 only)
- DIN-rail kit
- Documentation and software CD
- Quick installation guide (printed)
- Warranty card

Note:
 US: USA band
 EU: Europe band
 JP: Japan band