

Ultra Slim Fanless BOX PC

A Space-saving **and**  
Rich Connections BOX PC



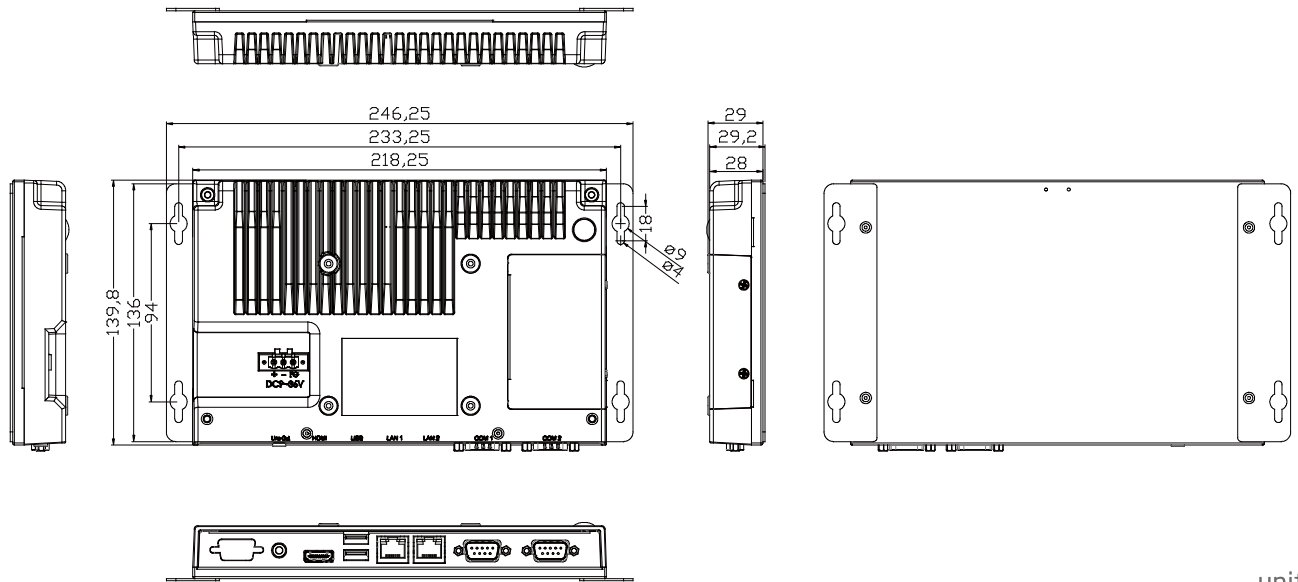
# ACS-2160

## Features

- Intel Atom Processor D2550 1.86GHz , L2 Cache 1MB
- Easy to Attach to Display by VESA 75x75 and 100x100
- Turns Your Display into A Panel PC
- Onboard 2GB DDR3 800 MHz FSB / 4GB (Optional)
- Ultra Slim Fanless Design (Height Less Than 3cm)
- Wide Range 9~36V DC Power Input
- 1 x 1.8" SATA2(Half Size)



# Dimensions



unit:mm

## Specifications

System	
Processor	Intel Atom Processor D2550 1.86GHz , L2 Cache 1MB
System Chipset	Intel NM10 Express Chipset
System Memory	Onboard 2GB DDR III 800MHz / 4GB (Optional)
External I/O Port	2 x USB 2.0 type A 2 x GbE LAN RJ-45 1 x RS-232 DB-9, COM2 1 x DB-9 RS-232/422/485, COM1 (Default RS-232) 1 x Audio Line Out 1 x VGA 1 x 3-pin DC Power input terminal
Storage Space	1 x SD card slot, up to 32GB (Easy Accessible) 1 x SATA Half Slim HDD bay, up to 64GB (Easy Accessible)
Expansion Slot	1 x Internal Mini-PCIe slot half size

System	
Wireless LAN	802.11 b/g/n via Mini-PCIe module card half size (Optional) Rear cover design Antenna hole
OS Support	Windows 32-bit XP Pro, Windows 7 32-bit, Windows CE 6.0, Fedora 14
Power Supply	
Power Input	9~36V/DC
Mechanical	
Construction	Silver aluminum chassis
Dimensions	139.8x246.25x29.2 mm
Mounting	VESA 75x75/100x100, Wall mount
Net Weight	1.8Kg
Enviornmental	
Operation temperature	-20°C to 60°C
Storage temperature	-40°C to 85°C
Storage humidity	10 to 90%@ 40°C, non-condensing
Certification	CE / FCC

## Benefit



**The** ultra slim fanless ACS-2160 is easily to be mounted in a limited space

**Be** able to integrate with a LCD and turns your display into a panel PC function



15F-1, No. 186, Jian Yi Road, Zhonghe Dist., New Taipei City, 235 Taiwan  
Tel: +886-2-82262881 Fax: +886-2-82262883 E-mail: sales@aplex.com.tw

[www.aplex.com.tw](http://www.aplex.com.tw)