

DA-685 Series

rackmount x86 substation computer with VGA, 2 RS-232/422/485 and 6 RS-485 serial ports, 6 LANs, CompactFlash, USB



- > Intel Atom D510 1.66 GHz processor
- > 1 DDR2 SODIMM sockets supporting DDR2 667 up to 2 GB (max.)
- > 6 10/100/1000 Mbps Ethernet ports
- > 2 RS-232/422/485 serial ports (DB9 male)
- > 6 RS-485 serial ports (terminal block)
- > 2 USB 2.0 ports for high speed peripherals
- > CompactFlash socket for storage expansion
- > 1 SATA interface for hard disk drive expansion
- > EMC Level 4 certified



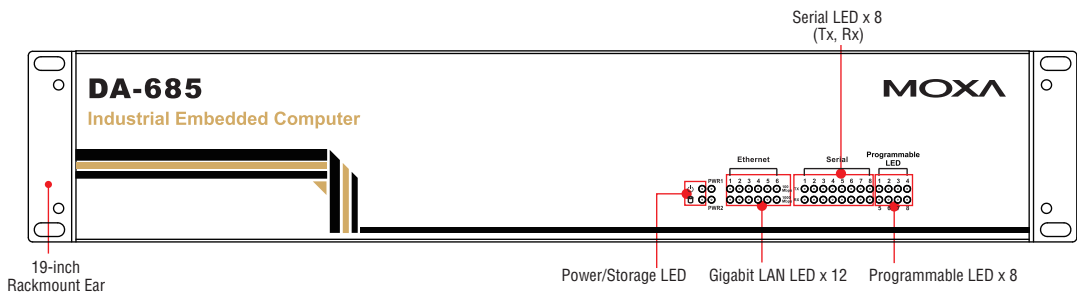
Overview

DA-685 industrial computers excel in a wide array of power automation applications. The DA-685 series is based on the Intel x86 processor and supports VGA, 6 Gigabit Ethernet ports, 2 RS-232/422/485 and 6 RS-485 serial ports, CompactFlash, and USB. The computers come standard in a 19-inch, 2U high form factor, and the Intel Core Duo processor gives them enough punch to perform demanding industrial tasks without consuming a lot of power.

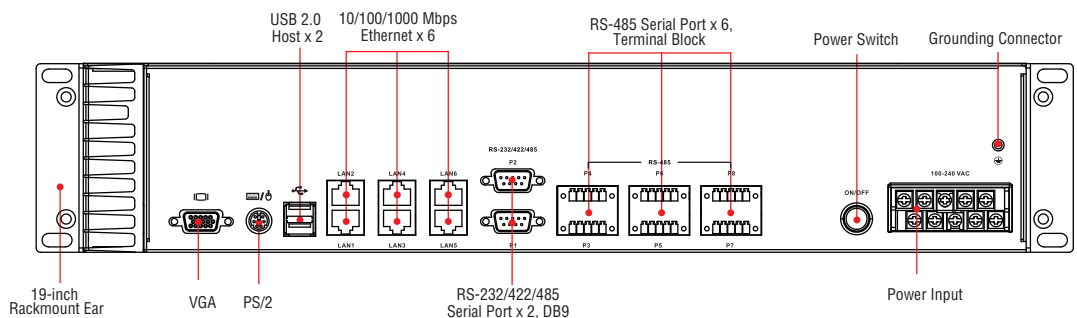
The DA-685 computer are pre-installed with Linux or the Windows Embedded Standard 2009 operating systems, providing a familiar environment for developing sophisticated application software.

Appearance

Front View

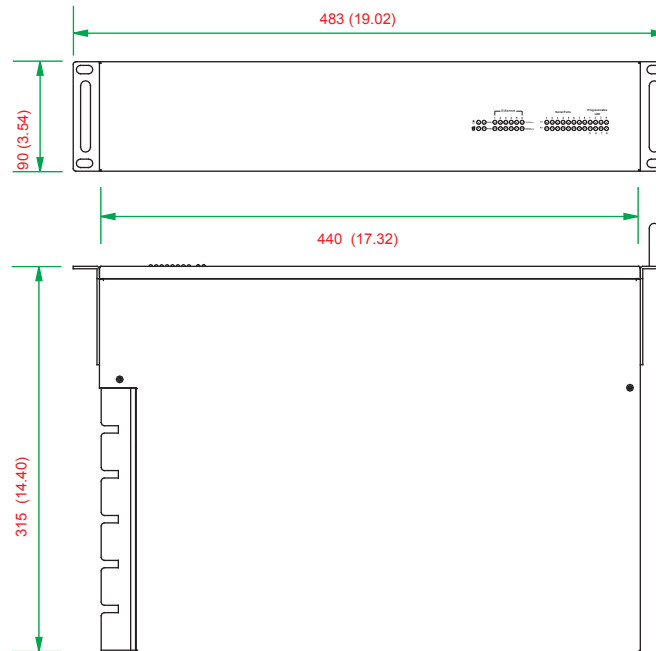


Rear View



Dimensions

Unit: mm (inch)



Hardware Specifications

Computer

CPU: Intel Atom D510 1.66 GHz processor

OS: Linux, Windows 7, Windows XP Professional, or Windows Embedded Standard 2009 (must be installed by the user)

System Chipset: Intel Pineview-D + ICH8M

BIOS: 16 Mbit Flash BIOS, PCI Plug & Play, ACPI function support

FSB: 667 MHz

System Memory: 1 200-pin DDR2 SODIMM socket supporting DDR2 667; up to 2 GB, with 1 GB built in

Expansion Bus: PCI/104 interface reserved

USB: USB 2.0 compliant hosts, Type A connector x 2, supports system boot up

Storage

Built-in: 2 GB industrial DOM onboard to store OS

Storage Expansion: CompactFlash socket for CF card expansion, supporting CF Type-I/II

HDD Support: 1 SATA connector for drive expansion

Other Peripherals

KB/MS: 1 PS/2 interface, supports standard PS/2 keyboard and mouse through Y-type cable

Display

Graphics Controller: Intel® GMA3150 graphics controller on Intel D510 card

Display Interface: VGA output (DB15 female connector)

Resolution: CRT display mode with pixel resolution up to 2048 x 1536 at 75 Hz

Ethernet Interface

LAN: 6 auto-sensing 10/100/1000 Mbps Gigabit ports

Magnetic Isolation Protection: 1.5 KV built-in

Serial Interface

Serial Standards:

- 2 RS-232/422/485 ports (DB9 male)
- 6 RS-485-2W ports (terminal block)

Serial Signals

RS-232: TxD, RxD, DTR, DSR, RTS, CTS, DCD, GND, RI

RS-422: TxD+, TxD-, RxD+, RxD-, GND

RS-485-4w: TxD+, TxD-, RxD+, RxD-, GND

RS-485-2w: Data+, Data-, GND

LEDs

System: Power, Storage

Gigabit LAN: 100M x 6, 1000M x 6

Serial: TX/RX

Programmable: LED x 8

Switches and Buttons

Power Switch: on/off (on rear panel)

Physical Characteristics

Housing: SECC sheet metal (1 mm)

Weight: 4 kg

Dimensions: 315 x 440 x 90 mm (12.40 x 17.32 x 3.54 in) (without rackmount ears)

Mounting: Standard 19-inch rackmount

Environmental Limits

Operating Temperature: -10 to 55°C (14 to 131°F)

Storage Temperature: -20 to 80°C (-4 to 176°F)

Ambient Relative Humidity: 5 to 95% (non-condensing)

Anti-vibration: 2 g rms @ IEC-68-2-34, random wave, 5-500 Hz, 1 hr per axis

Anti-shock: 20 g @ IEC-68-2-27, half sine wave, 11 ms

Power Requirements

Input Voltage: 100 to 240 VAC, 50/60 Hz, 0.9-0.4 A

Power Consumption: 40 W

Standards and Certifications

Safety: LVD, UL, cUL, CCC

EMC: FCC, CE (Class A)

Green Product: RoHS, CRoHS, WEEE

Reliability

Alert Tools: Built-in buzzer and RTC (real-time clock) with lithium backup battery

Automatic Reboot Trigger: Built-in WDT (watchdog timer) supporting 1-255 level time interval system reset, software programmable

Warranty

Warranty Period: 3 years

Details: See www.moxa.com/warranty

Software Specifications

Linux

OS: Linux 2.6.18, Debian Etch 5

File System: EXT2, JFFS2

Internet Protocol Suite: TCP, UDP, IPv4, SNMPv1/v2c/v3, ICMP, ARP, HTTP, CHAP, PAP, SSH 1.0/2.0, SSL, DHCP, NTP, NFS, Telnet, FTP, TFTP, PPP, PPPoE, PTP

Internet Security: OpenVPN, iptables firewall

Web Server (Apache): Allows you to create and manage web sites; supports PHP and XML

Terminal Server (SSH): Provides secure encrypted communications between two un-trusted hosts over an insecure network

Dial-up Networking: PPP Daemon for Linux that allows Unix machines to connect to the Internet through dialup lines, using the PPP protocol, as a PPP server or client. Works with 'chat', 'dip', and 'diald', among (many) others. Supports IP, TCP, UDP, and (for Linux) IPX (Novell).

File Server: Enables remote clients to access files and other resources over the network

Watchdog: Features a hardware function to trigger system reset in a user specified time interval (Moxa API provided)

Application Development Software:

- Moxa API Library (Watchdog timer, Moxa serial I/O control)
- GNU C/C++ cross-compiler
- GNU C library
- Perl

Windows XP Embedded

OS: Windows Embedded Standard 2009

File System: NTFS

Internet Protocol Suite: DHCP, DNS, FTP, HTTP, SNMP, NTP, Telnet, SMTP, SNMPv2, TCP, UDP, ICMP, IGMP, IPsec, TAPI, ICS, PPP, CHAP, EAP, PPPoE, PPTP, NetBIOS, PTP

Web Server (IIS): Allows users to create and manage websites

Remote Registry Service: Enables remote users to modify registry settings on this computer

Watchdog: Features a hardware function to trigger system reset in a user specified time interval (Moxa API provided)

Enhanced Writer Filter: Redirect disk write operations to volatile (RAM) or non-volatile (disk) storage

File-based Writer Filter: Redirects all write requests directed at protected volumes to the overlay cache, which records and displays the changes while preserving the protected status of the target volume.

Application Development Software:

- Moxa API Library
- Microsoft .Net Framework 3.5 with SP1
- Active Directory Service Interface (ADSI) Core
- Active Template Library (ATL)
- Common Control Libraries
- Common File Dialogs
- Direct3D, DirectPlay, DirectShow, and Direct show filters
- Mapi32 Libraries
- Message Queuing (MSMQ) Core
- Microsoft Visual C++ Run Time Libraries
- Power Management dynamic-link library
- RPC
- Windows API, Script Engines, and WMI

Ordering Information

Available Models

DA-685-XPE: x86 Rackmount Computer with 1.66GHz CPU, VGA, 6 Gigabit Ethernet Ports, 2 RS-232/422/485, 6 2 Wire RS-485 Ports, Compact Flash, 2 USB, Single Power, Windows Embedded Standard

DA-685-LX: x86 Rackmount Computer with 1.66GHz CPU, VGA, 6 Gigabit Ethernet Ports, 2 RS-232/422/485, 6 2 Wire RS-485 Ports, Compact Flash, 2 USB, Single Power, Linux

Package Checklist

- DA-685 embedded computer
- Rackmount kit
- Ethernet cable: RJ45 to RJ45 cross-over cable, 100 cm
- Documentation CD or DVD
- Quick installation guide (printed)
- Warranty card