

Industrial 90W PoE Injector

Overview

This series of product is Industrial 90W PoE Injector.

This series injector can upgrade an existing network infrastructure to IEEE802.3bt PoE++ network system without changing the existing Ethernet equipment.

This series Injector meet IEEE 802.3af/at/bt standard. The PoE output port can deliver up to 90W power. It supports 10/100/1000/2.5Gbps transmission rate, and the transmission distance is up to 100m. This product support relay function to alarm power supply break. It could provide a quick, safe and cost-effective 802.3bt PoE++ network solution for customers.

This series includes three models:

UPI7302-PSD-W: Industrial 2-Port Multi-Gigabit 802.3bt PoE++ Injector (90W) with 12~57V DC input

UPI7301-PSD-W: Industrial Single-Port Multi-Gigabit 802.3bt PoE++ Injector (90W) with 12~57V DC input

UPI7301-PSD: Industrial Single-Port Multi-Gigabit 802.3bt PoE++ Injector (90W) with 48~57V DC input

Features and Highlights

Provide 10/100/1000/2.5 Gbps Ethernet ports

- UPI7302-PSD-W: 2* input ports, 2* output ports
- UPI7301-PSD-W/UPI7301-PSD: 1* input port, 1* output port

DC power input

- UPI7302-PSD-W, UPI7301-PSD-W: 12~57VDC
- UPI7301-PSD: 48~57VDC

Great PoE Compatibility

- All ports comply with IEEE802.3af, IEEE802.3at, IEEE802.3bt
- PoE output port can auto detect powered device and the output power
- Transmit both Ethernet data and PoE to 100 meters

PoE Mode DIP Switch

This series of injector support two PoE modes:

- Standard: In this mode, the PoE injector provides power to the PD devices that follow the IEEE802.3af/at/bt standard
- Force mode: In this mode, the PoE injector outputs 54V DC constantly

Note: Do not connect PD devices with the Max working voltage lower than 54V DC.

Industrial Case and Installation

- DIN-rail design/Wall-mount
- Supports 6kV surge immunity and 8kV ESD protection
- Wide working temperature: -40~75°C
- Plug and play, DIN-rail installation



Specifications

Items	UPI7302-PSD-W	UPI7301-PSD-W	UPI7301-PSD
Hardware Specifications			
Copper Ports	2 * 10/100/1000/2.5G Base-T RJ-45 Data input ports 2* 10/100/1000/2.5G Base-T RJ-45 PoE output ports	1 * 10/100/1000/2.5G Base-T RJ-45 Data input port 1 * 10/100/1000/2.5G Base-T RJ-45 PoE output port	
Connector	Removable 4-pin terminal block for DC power: pins 1 and 2 for power 1, pins 3 and 4 for power 2 Removable 2-pin terminal block for relay alarm		
Cable	Cat5e or better		
Transmission Rate	10/100/1000/2.5Gbps		
Transmission Distance	100m (Max)		
Dimensions (W*D*H)	143mm*103mm*36mm		
Net Weight	0.665kg		
Power Requirements	12~57V DC	12~57V DC	48~57V DC
Installation	DIN-rail / Wall-mount/ Desktop		
Material	Metal shell		
PoE			
Device Type	PSE (Power Sourcing Equipment)		
PoE Type	Mid-Span, End-Span		
PoE Standard	IEEE 802.3af/at/bt		
PoE Pin Assignment	3/6/4/5(+), 1/2/7/8(-)		
PoE Power Output	54V DC	54V DC	48~57V DC
PoE Budget	180W (max)	90W (max)	90W (max)
	12V/60W	12V/60W	/
	24V/90W	24V/90W	/
	48V/180W	48V/90W	48V/90W
EMC			
EMC	FCC 47 CFR Part 15 Class A EN55032 Class A IEC61000-4-2, Level 3: Contact Discharge: ±6kV, Air Discharge: ±8kV IEC61000-4-3, Level 2: 3V/m IEC61000-4-4, Level 2: 1kV IEC61000-4-5, line to earth: 6kV IEC61000-4-6, Level 2, (0.15MHz~80MHz)		
LVD			
LVD	EN 62368-1:2020 EN 62328-A11:2020		
Environments			
Operating	Temperature: -40°C~75°C Relative Humidity: 5%~95% (Non-condensation)		
Storage	Temperature: -40°C~85°C Relative Humidity: 5%~95% (Non-condensation)		
Certifications			
Certifications	CE, FCC		

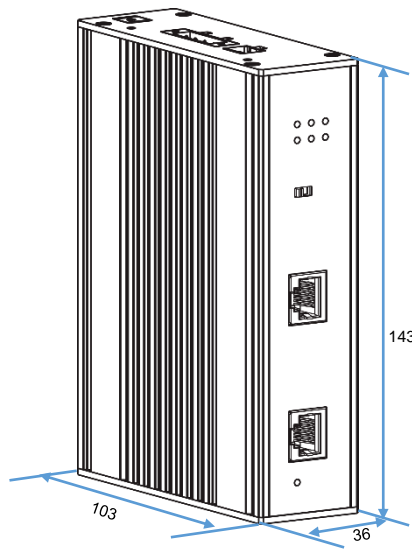
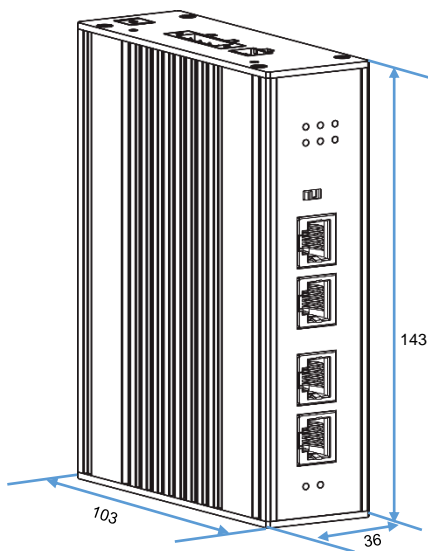
Appearances and Dimensions

UPI7302-PSD-W, UPI7301-PSD-W, UPI7301-PSD

Dimensions(mm)

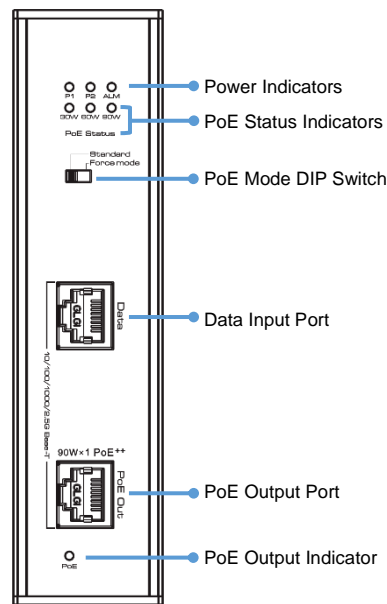
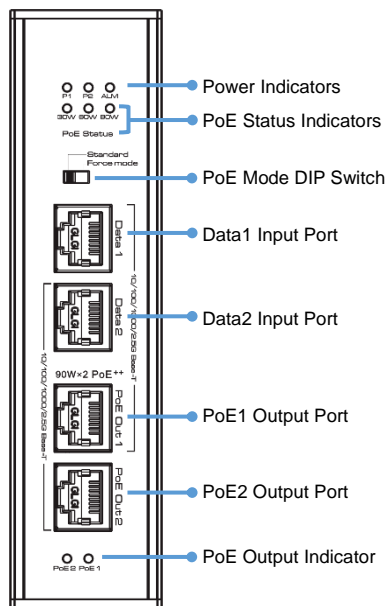
UPI7302-PSD-W

UPI7301-PSD-W, UPI7301-PSD



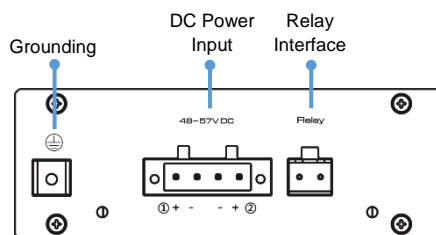
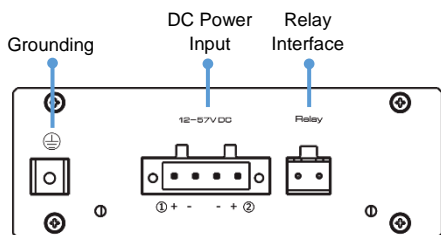
UPI7302-PSD-W Front panel

UPI7301-PSD-W and UPI7301-PSD Front panel



UPI7302-PSD-W and UPI7301-PSD-W Rear panel

UPI7301-PSD Rear panel



Packing List

Welcome to order our products. After purchasing, you will receive:

Item	Quantity
PoE Injector	1 pc
Mounting Accessory	1 set
Quick Installation Guide	1 pc

More Information

For more information, please visit:

www.utepo.net

SHENZHEN UTEPO TECH LTD.

Head quarter: 5F, Building B, Tiange Science and Technology Park, NO.2, Luozu Industrial Avenue, Shi'yan Street, Bao'an District, Shenzhen, Guangdong, China

Tel: +86-755-83898016-863 or +86-1501-2669-765 (Sales)

Email: info@utepo.net (Sales), support@utepo.net (Technical support)

©2023 SHENZHEN UTEPO TECH LTD. All Rights Reserved.

Version, V1.0, updated 2023-11-13.

The information in this document is subject to change without notice.

Every effort has been made in the preparation of this document to ensure accuracy of the contents, but all statements, information, and recommendations in this document do not constitute a warranty of any kind, express or implied.