

TPC-DCS121R2

12.1" Pcap. Panel PC with Rockchip RK3568

Version: 1.0



Features

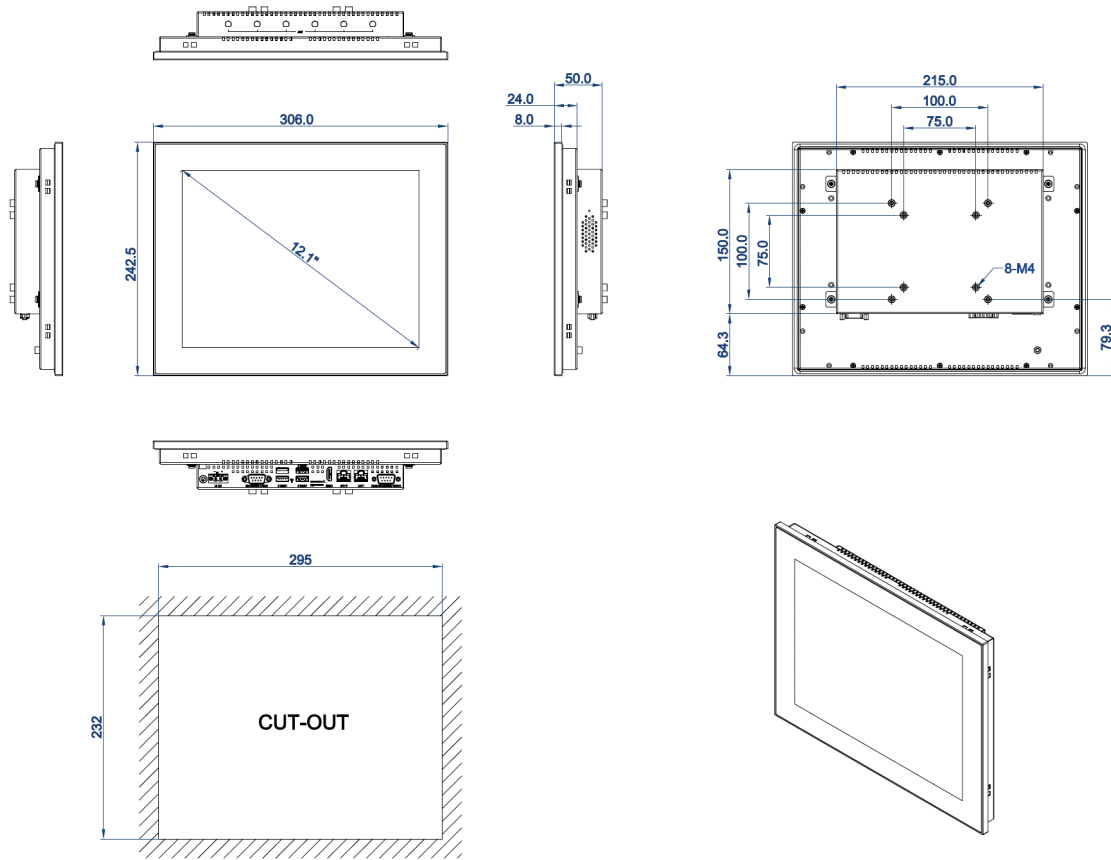
- 12.1" TFT LCD display, LED Backlit, XGA 1024 *768;
- ARM Rockchip RK3568, Quad-Core Cortex-A55, up to 2.0Ghz;
- 1* SDRAM LPDDR4X-3200MHz on board, 2GB/4GB/8GB options;
- On-board 16GB/32GB/64GB eMMC options, 1* TF Card slot;
- Multi-points (Max. up to 10 points) Projective capacitive touch, EETI controller;
- Aluminum-magnesium alloy, anodized treatment, Modular designed;
- DC Terminal 12V power input, optional wide voltage DC 9~36V range;
- IO: 2*GLAN, 1*USB3.0, 3*USB2.0, 2*COM (DB9), 1*HDMI, 1* SIM card slot;
- Fan-less & Slim design, Panel mount, VESA, Front IP65 protection.

Specification

| | | |
|------------------------------|----------------------------------|---|
| Hardware & System | CPU | ARM Rockchip RK3568, Quad-core Cortex-A55, Clock speed up to 2.0Ghz |
| | Memory | SDRAM LPDDR4X-3200Mhz on board, 2GB/4GB/8GB options |
| | Storage | eMMC 5.1, 16GB/32GB/64GB options; 1* TF Card slot |
| | Display | 1* HDMI (Type-A), Max. resolution up to 4096x2304 @60Hz |
| | Ethernet | 2* Realtek GbE LAN Chip |
| | Wireless | Realtek Wireless module on-board, support Wi-Fi 2.4/5 Ghz by default |
| | Expansion slots | 1* Mini-PCIe slot (for 4G/3G); 1* M.2 (NGFF) B-key 3052 slot (for 5G) |
| | OS | Android 11, Linux |
| | IO interface | COM |
| Ethernet | | 2* RJ45, 10/100/1000 Mbps |
| Speaker | | Optional |
| USB | | 1* USB3.0/OTG, 3* USB2.0 |
| Power | | 1x 2pins, phenix terminal |
| Other ports | | 1* Recovery Button |
| LCD Display | | Size/Type |
| | Resolution | 1024 * 768 (XGA) |
| | Brightness | 350 nits |
| | Backlit & Lifetime | LED backlit & 50 000hours |
| | Display area | 245.76 * 184.32 |
| | View angle | 80/80/80/80 |
| Touchscreen | Type | Projective capacitive touchscreen |
| | Touch points | Multi points touch, max. up to 10 points |
| | Durability | >100 000 000 times |
| | Surface hardness | Mohs 6H |
| | Special treatment | Anti-fingerprint (AF) |
| Structure | Structure and surface | Magnesium-Aluminum alloy, sand blasting, anodized treatment |
| | Mount method | Panel mount, VESA 75/100 |
| | Cooling system | Large area finned heat sink |
| | Overall dimension | 306.0 * 242.5 * 50.0 (mm) |
| | Cut-out dimension | 295 * 232 (mm) |
| | Net weight | 3.4 KG |
| | IP protection | Front Panel IP65 |
| | Power & Environmental | Operating temp. |
| Storage temp. | | -30 ~ +80°C |
| Relative Humidity | | 10 ~ 95% @ 10C (non-condensation) |
| Vibration | | 50 ~ 500 Hz, 1.5G, 0.15mm peak to peak |
| Shock | | 10G/Peak (11 ms) |
| Power input | | DC 12V (Optional DC 9~36V) |
| Power consumption | | Around 20W |
| EMC | | CE/FCC Class A |

DIMENSIONAL DRAWING:TPC-DCS121R2

Dimension



DIMENSIONS IN MILLIMETERS

TAICEN
 DATE:2023.10.10
 REV:A Unit:mm

Ordering info.

| Part no. | Description |
|----------------|--|
| TPC-DCS121R2A | 12.1", 1024 * 768, Rockchip 3568, Pcap. touch, 2GB RAM+16GB eMMC , 2*GLAN, 1*USB3.0, 3*USB2.0, 2*RS232, 1*HDMI, Wi-Fi, DC Terminal 12V, PSU |
| TPC-DCS121R2B | 12.1", 1024 * 768, Rockchip 3568, Pcap. touch, 4GB RAM+32GB eMMC , 2*GLAN, 1*USB3.0, 3*USB2.0, 2*RS232, 1*HDMI, WiFi+BT , DC Terminal 12V, PSU |
| TPC-DCS121R2H | 12.1", 1024 * 768, Rockchip 3568, Pcap. touch, 8GB RAM+64GB eMMC , 2*GLAN, 1*USB3.0, 3*USB2.0, 2*RS232, 1*HDMI, Wi-Fi, DC Terminal 12V, PSU |
| TPC-DCS121R2AW | 12.1", 1024 * 768, Rockchip 3568, Pcap. touch, 2GB RAM+16GB eMMC, 2*GLAN, 1*USB3.0, 3*USB2.0, 2*RS232, 1*HDMI, Wi-Fi, DC Terminal 9-36V |
| TPC-DCS121R2BW | 12.1", 1024 * 768, Rockchip 3568, Pcap. touch, 4GB RAM+32GB eMMC, 2*GLAN, 1*USB3.0, 3*USB2.0, 2*RS232, 1*HDMI, WiFi+BT, DC Terminal 9-36V |
| TPC-DCS121R2HW | 12.1", 1024 * 768, Rockchip 3568, Pcap. touch, 8GB RAM+64GB eMMC, 2*GLAN, 1*USB3.0, 3*USB2.0, 2*RS232, 1*HDMI, Wi-Fi, DC Terminal 9-36V |

Packing List

| |
|------------------------------|
| ■ 1x Standard Product |
| ■ 1x 40W PSU (Power Supply) |
| ■ 1x Power cable & Plug |
| ■ 8x Panel mount metal clips |