



Features

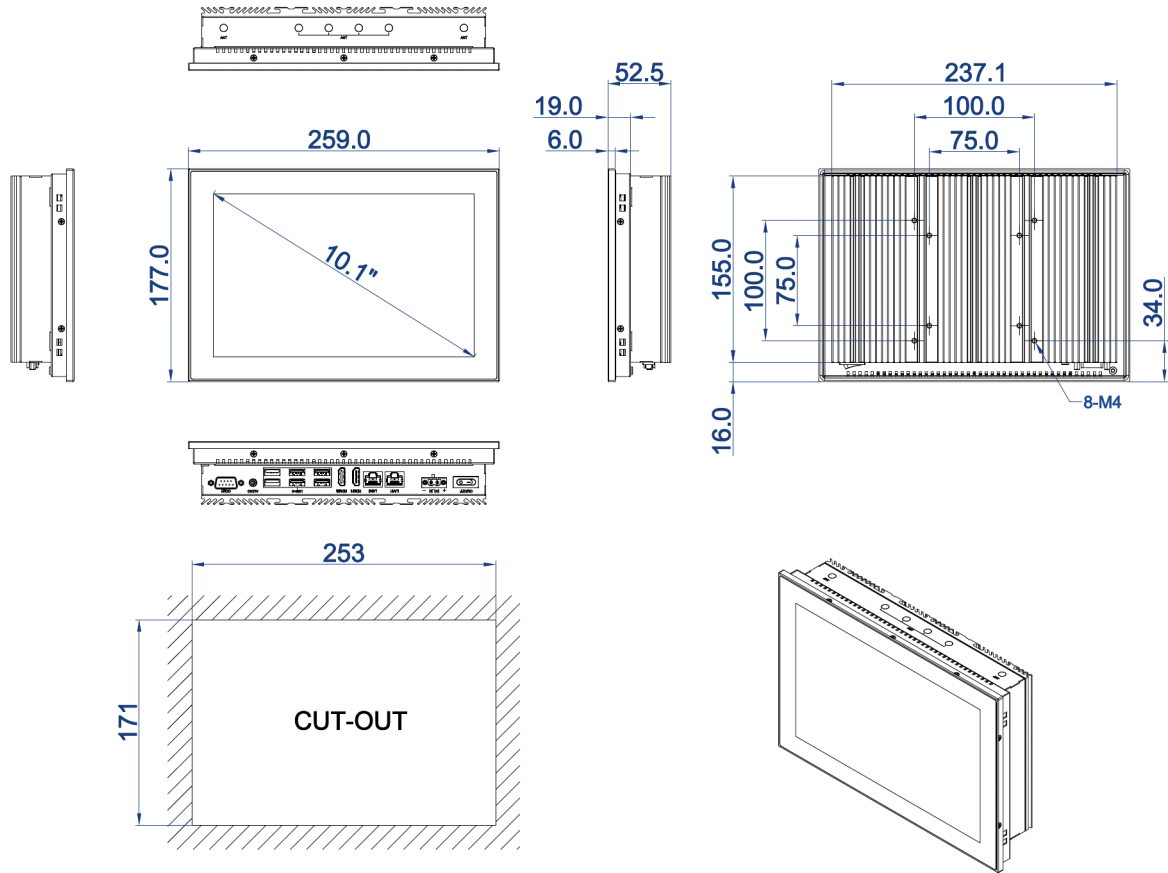
- Widescreen 10.1" TFT LCD display, LED Backlit, WXGA 1280 *800;
- Intel Elkhart Lake Celeron J6412 processor, Quad-core 2.0Ghz;
- 1* DDR4 memory, up to 32GB, 1* M.2 NVME 2280 storage;
- Multi-points (Max. up to 10 points) Projective capacitive touch, EETI controller;
- Aluminum-magnesium alloy, anodized treatment, Modular designed;
- DC 12V power input, optional wide DC 9~36V input range;
- IO: 2*GLAN, 3*USB3.0, 3*USB2.0, 1*COM (DB9), 2*HDMI, Audio;
- Intel PTT TPM2.0, support Windows 11;
- Fan-less & Slim design, Panel mount, VESA, Front IP65 protection.

Specification

Hardware & System	BIOS	SPI AMI EEI BIOS
	CPU	Intel Elkhart Lake Celeron J6412, Quad-core 2.0Ghz, burst to 2.6Ghz, TDP 10W
	Memory	SO-DIMM, Support DDR4 2666/2933/3200 MHz, Max. up to 32GB
	Storage	1* M.2 2280 M-key (PCIe x2 Gen.III NVMe) SSD
	Graphic	Intel UHD Graphics for 10 th Gen Intel processors
	Network	2* Intel I225 GBE LAN chip (Optional wireless 3G/4G, Wi-Fi/BT, 4G/5G)
	Audio	On-board Realtek ACL 897 audio controller
	Expansion	1* M.2 Key-B 3052 slot, 1* Mini-PCIe slot
	Watch dog	0~256 seconds programmable
	OS	Win10, Win11, Linux, Ubuntu
IO interface	COM	1*RS232 (Optional RS485)
	Ethernet	2* RJ45, 10/100/1000 Mbps
	Audio	Mic-in/Line-out (2 in 1, 4.0mm jack)
	USB	3x USB3.0, 3x USB2.0
	Display	2x HDMI
	Power	1x 2 pins, phenix terminal
LCD Display	Size/Type	10.1" TFT LCD
	Resolution	1280 * 800 (WXGA)
	Brightness	350 nits
	Backlit & Lifetime	LED backlit & 30 000hours
	Display area	216.96 * 135.6
	View angle	85/85/85/85
Touchscreen	Type	Projective capacitive touchscreen
	Touch points	Multi points touch, max. up to 10 points
	Durability	>100 000 000 times
	Surface hardness	Mohs 6H
	Special treatment	Anti-fingerprint (AF)
Structure	Structure and surface	Magnesium-Aluminum alloy, sand blasting, anodized treatment
	Mount method	Panel mount, VESA 75/100
	Cooling system	Large area finned heat sink
	Overall dimension	259.0 * 177.0 * 52.5 (mm)
	Cut-out dimension	253 * 171 (mm)
	Net weight	3.0 KG
	IP protection	Front Panel IP65
Power & Environmental	Operating temp.	-20 ~ +70°C
	Storage temp.	-30 ~ +80°C
	Relative Humidity	10 ~ 95% @ 10C (Non-condensation)
	Vibration	50 ~ 500 Hz, 1.5G, 0.15mm peak to peak
	Shock	10G/Peak (11 ms)
	Power input	DC 12V (Optional DC 9~36V)
	Power consumption	Around 30W
	EMC	CE/FCC Class A

DIMENSIONAL DRAWING:TPC-DCS101E/T

Dimension



DIMENSIONS IN MILLIMETERS

TAICENN
 DATE:2023.11.23
 REV:A Unit:mm

Ordering info.

Part no.	Description
TPC-DCS101E1	10.1", 1280 * 800, Celeron J6412, Quad-core 2.0Ghz, Pcap. touch, 2*GLAN, 3*USB3.0, 3*USB2.0, 1*COM, 2*HDMI, DC 12V, PSU
TPC-DCS101E1W	10.1", 1280 * 800, Celeron J6412, Quad-core 2.0Ghz, Pcap. touch, 2*GLAN, 3*USB3.0, 3* USB2.0, 1*COM, 2*HDMI, DC 9~36V, No PSU by default
Memory	SO-DIMM, DDR4, 4GB/8G/16G/32G Memory
Storage	M.2 SSD: 128GB/256GB/512GB
Wireless Modules	Wi-Fi module, with Antenna Wi-Fi with BT integrated module, with Antenna All network 4G/LTE module, With Antenna 5G module, with Antenna
Power supply	Optional PSU for TPC-DCS101E1W (If needed)
SIM Card module	Sim card slot for 3G/4G/5G wireless expansion

Packing List

■ 1x Standard Product
■ 1x 60W PSU (Power Supply)
■ 1x Power cable & Plug
■ 8x Panel mount metal clips