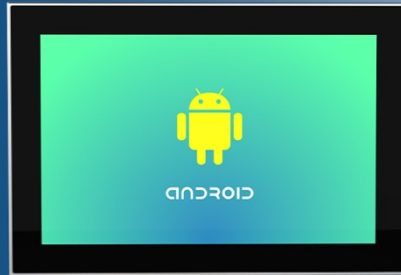


TPC-DCS101R2

10.1" Pcap. Panel PC with Rockchip RK3568

Version: 1.0



Features

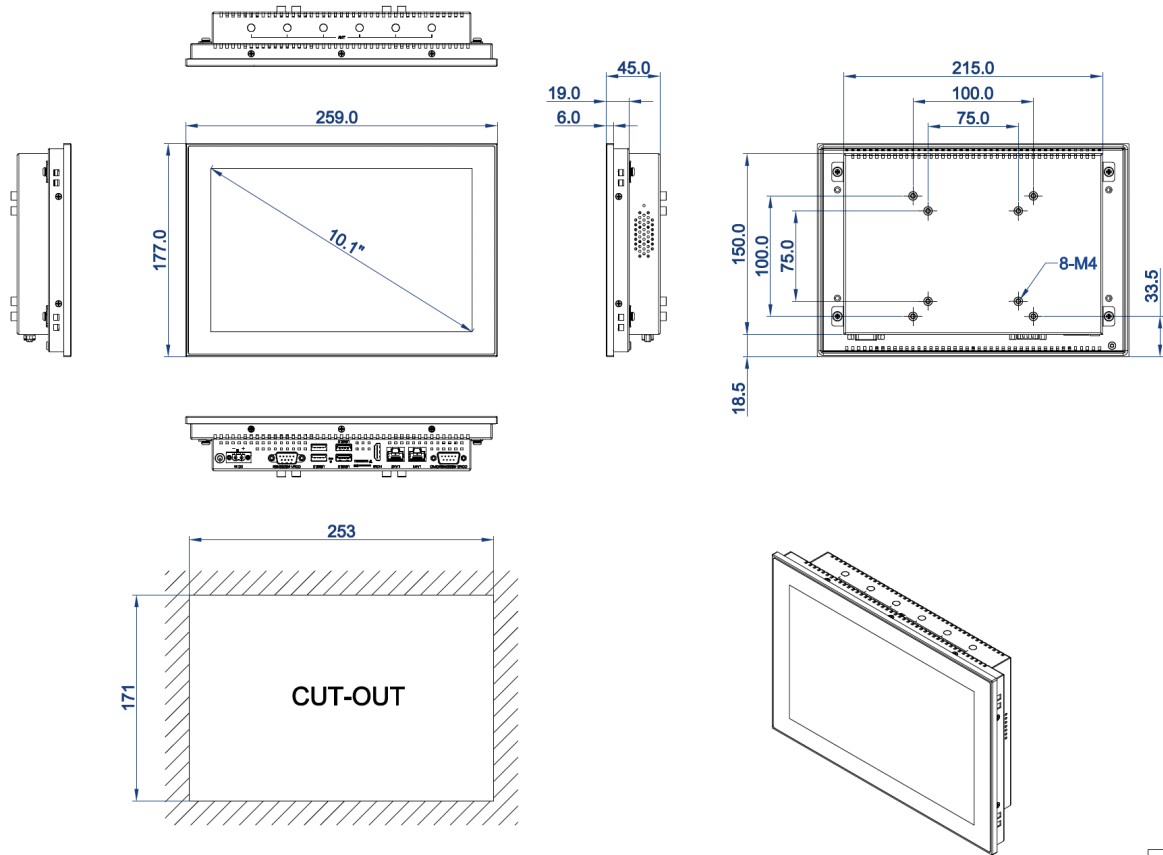
- 10.1" TFT LCD display, LED Backlit, WXGA 1280 *800;
- ARM Rockchip RK3568, Quad-Core Cortex-A55, up to 2.0Ghz;
- 1* SDRAM LPDDR4X-3200MHz on board, 2GB/4GB/8GB options;
- On-board 16GB/32G/64GB eMMC options, 1* TF Card slot;
- Multi-points (Max. up to 10 points) Projective capacitive touch, EETI controller;
- Aluminum-magnesium alloy, anodized treatment, Modular designed;
- DC Terminal 12V power input, optional wide voltage DC 9~36V range;
- IO: 2*GLAN, 1*USB3.0, 3*USB2.0, 2*COM (DB9), 1*HDMI, 1* SIM card slot;
- Fan-less & Slim design, Panel mount, VESA, Front IP65 protection.

Specification

Hardware & System	CPU	ARM Rockchip RK3568, Quad-core Cortex-A55, Clock speed up to 2.0Ghz
	Memory	SDRAM LPDDR4X-3200Mhz on board, 2GB/4GB/8GB options
	Storage	eMMC 5.1, 16GB/32GB/64GB options; 1* TF Card slot
	Display	1* HDMI (Type-A), Max. resolution up to 4096x2304 @60Hz
	Ethernet	2* Realtek GbE LAN Chip
	Wireless	Realtek Wireless module on-board, support Wi-Fi 2.4/5 Ghz by default
	Expansion slots	1* Mini-PCIe slot (for 4G/3G); 1* M.2 (NGFF) B-key 3052 slot (for 5G)
	OS	Android 11, Linux
	IO interface	COM
Ethernet		2* RJ45, 10/100/1000 Mbps
Speaker		Optional
USB		1* USB3.0/OTG, 3* USB2.0
Power		1x 2pins, phenix terminal
Other ports		1* Recovery Button
LCD Display	Size/Type	10.1" TFT LCD
	Resolution	1280 * 800 (WXGA)
	Brightness	350 nits
	Backlit & Lifetime	LED backlit & 30 000hours
	Display area	216.96 * 135.6
	View angle	85/85/85/85
Touchscreen	Type	Projective capacitive touchscreen
	Touch points	Multi points touch, max. up to 10 points
	Durability	>100 000 000 times
	Surface hardness	Mohs 6H
	Special treatment	Anti-fingerprint (AF)
Structure	Structure and surface	Magnesium-Aluminum alloy, sand blasting, anodized treatment
	Mount method	Panel mount, VESA 75/100
	Cooling system	Large area finned heat sink
	Overall dimension	259.0 * 177.0 * 45.0 (mm)
	Cut-out dimension	253 * 171 (mm)
	Net weight	2.9 KG
	IP protection	Front Panel IP65
Power & Environmental	Operating temp.	-20 ~ +70°C
	Storage temp.	-30 ~ +80°C
	Relative Humidity	10 ~ 95% @ 10C (non-condensation)
	Vibration	50 ~ 500 Hz, 1.5G, 0.15mm peak to peak
	Shock	10G/Peak (11 ms)
	Power input	DC 12V (Optional DC 9~36V)
	Power consumption	Around 20W
	EMC	CE/FCC Class A

DIMENSIONAL DRAWING:TPC-DCS101R2

Dimension



DIMENSIONS IN MILLIMETERS

TAICENN
 DATE:2023.11.25
 REV:A Unit:mm

Ordering info.

Part no.	Description
TPC-DCS101R2A	10.1", 1280 * 800, Rockchip 3568, Pcap. touch, 2GB RAM+16GB eMMC , 2*GLAN, 1*USB3.0, 3*USB2.0, 2*RS232, 1*HDMI, Wi-Fi, DC Terminal 12V, PSU
TPC-DCS101R2B	10.1", 1280 * 800, Rockchip 3568, Pcap. touch, 4GB RAM+32GB eMMC , 2*GLAN, 1*USB3.0, 3*USB2.0, 2*RS232, 1*HDMI, WiFi+BT , DC Terminal 12V, PSU
TPC-DCS101R2H	10.1", 1280 * 800, Rockchip 3568, Pcap. touch, 8GB RAM+64GB eMMC , 2*GLAN, 1*USB3.0, 3*USB2.0, 2*RS232, 1*HDMI, Wi-Fi, DC Terminal 12V, PSU
TPC-DCS101R2AW	10.1", 1280 * 800, Rockchip 3568, Pcap. touch, 2GB RAM+16GB eMMC, 2*GLAN, 1*USB3.0, 3*USB2.0, 2*RS232, 1*HDMI, Wi-Fi, DC Terminal 9-36V
TPC-DCS101R2BW	10.1", 1280 * 800, Rockchip 3568, Pcap. touch, 4GB RAM+32GB eMMC, 2*GLAN, 1*USB3.0, 3*USB2.0, 2*RS232, 1*HDMI, WiFi+BT, DC Terminal 9-36V
TPC-DCS101R2HW	10.1", 1280 * 800, Rockchip 3568, Pcap. touch, 8GB RAM+64GB eMMC, 2*GLAN, 1*USB3.0, 3*USB2.0, 2*RS232, 1*HDMI, Wi-Fi, DC Terminal 9-36V

Packing List

- 1x Standard Product
- 1x 40W PSU (Power Supply)
- 1x Power cable & Plug
- 8x Panel mount metal clips