



# RAS

## Machine Access Box

---

## USER GUIDE

---

The Machine Access Boxes family (RAS) is manufactured by

**ETIC TELECOM**  
405 rue Lavoisier  
38330 MONTBONNOT SAINT MARTIN  
FRANCE

TEL: + (33) (0)4-76-04-20-05  
E-mail: [hotline@etictelecom.com](mailto:hotline@etictelecom.com)  
web: [www.etictelecom.com](http://www.etictelecom.com)

# UE DECLARATION OF CONFORMITY

The manufacturer, ETIC Telecom – 13 chemin du vieux chêne – 38240 Meylan – France, Hereby declares under sole responsibility that the listed devices conform to

- the Radio Equipment Directive (RED) 2014/53/UE,
- the Restriction of the use of certain Hazardous Substances (RoHS) Directive 2011/65/UE.

**Type of device:** Machine Access Box - RAS

**Models:**

RAS-E-400, RAS-E-2XX, RAS-EW-400, RAS-EW-2XX, RAS-EC-400, RAS-EC-2XX, RAS-ECW-400, RAS-ECW-2XX, RAS-E-100, RAS-EW-100, RAS-C-100

The harmonized standards to which these devices comply are:

Standard	Title
EN 61000-6-2 2006	Immunity: EN61000-4-2 Electrostatic Discharge EN61000-4-3 RF Radiated Immunity EN61000-4-4 EFT/Burst Immunity EN61000-4-5 Surge Immunity EN61000-4-6 RF Conducted Immunity EN61000-4-8 Power Frequency Magnetic Field Immunity
EN 61000-6-4 2007 A1/2011	Emission: EN55032 Radiated and conducted emission
EN 301 489-1 V1.9.2 EN 301 489-3 V1.6.1 EN 301 489-7 V1.3.1 EN 301 489-17 V2.2.1 EN 301 489-24 V1.5.1	Radio - EMC
EN 301 511 V9.0.2 EN 301 908-1 V6.2.1 EN 301 908-2 V6.2.1 EN 300 328 V1.9.1 EN 301893 V1.8.1	Radio - Spectrum
EN 62368-1 2014 EN 62311 2008	Safety and Health

Date: 7th February 2019

Philippe Duchesne  
Technical Director



## FCC/IC Regulatory notices (RAS-X-100 models)

This device complies with Part 15 of the FCC. Operation is subject to the following two conditions: (1) this device may not cause interference, and (2) this device must accept any interference, including interference that may cause undesired operation of the device.

This equipment has been tested and found to comply with the limits for a Class A digital device, pursuant to Part 15 of the FCC Rules. These limits are designed to provide reasonable protection against harmful interference when the equipment is operated in a commercial environment. This equipment generates, uses, and can radiate radio frequency energy and, if not installed and used in accordance with the instruction manual, may cause harmful interference to radio communications. Operation of this equipment in a residential area is likely to cause harmful interference in which case the user will be required to correct the interference at his own expense.

Caution: ETIC Telecom has not approved any changes or modifications to this device by the user. Any changes or modifications could void the user's authority to operate the equipment.

<b>OVERVIEW</b> .....	<b>7</b>
1 Purpose of this manual .....	7
2 Products Identification .....	7
3 Specifications .....	8
4 Product overview .....	12
4.1 Main functions of the RAS .....	12
4.2 RAS organization .....	13
4.3 The M2Me_Connect connection.....	14
4.4 Benefits of the M2Me_Connect service .....	15
5 Use cases .....	16
<b>INSTALLATION</b> .....	<b>17</b>
1 Description .....	17
1.1 Dimensions .....	17
1.2 Connectors.....	18
1.3 Push-buttons.....	23
1.4 LED indicators.....	24
2 Safety instructions.....	25
3 DIN rail mounting .....	26
4 Cooling.....	26
5 Power supply.....	27
6 Earthing .....	27
7 RS232 serial connection.....	27
8 RS485 serial connexion .....	27
9 Digital input and output .....	28
10 Connecting the RAS to the cellular network.....	28
10.1 Controls before installing the RAS.....	28
10.2 Cellular antenna .....	29
10.3 Coaxial cable.....	29
10.4 Cellular service subscription .....	29
10.5 Installing the SIM card.....	30
10.6 Controlling the conformance of the connection .....	31
11 SD card .....	31
<b>PREPARING THE SETUP</b> .....	<b>33</b>
1 Connecting a PC for configuration .....	33
1.1 Overview.....	33
1.2 First configuration .....	34
1.3 Changing the configuration later .....	36
2 Temporary return to factory settings.....	37
3 Restoring the factory settings.....	37
<b>USING THE WIZARD</b> .....	<b>39</b>
1 Use cases .....	39
2 Use case 1 .....	40
3 Use case 2.....	41
4 Use case 3 .....	42

## TABLE OF CONTENTS

5	Use case 4 .....	43
6	Use case 5 .....	44
7	Use case 6 .....	45
8	Example: Access to the Internet via the Ethernet WAN network .....	46
	<b>ADVANCED SETUP .....</b>	<b>51</b>

# OVERVIEW

## 1 Purpose of this manual

The present user guide describes the features and the installation of the Machine Access Boxes family (RAS).

In the rest of the document the term "RAS" is used to designate the product.

## 2 Products Identification

This family of Machine Access Boxes consists of these models:

RAS-E-400, RAS-E-2XX,  
 RAS-EW-400, RAS-EW-2XX,  
 RAS-EC-400, RAS-EC-2XX,  
 RAS-ECW-400, RAS-ECW-2XX,  
 RAS-E-100, RAS-EW-100, RAS-C-100

The main features are summarized below:

	Models											
	RAS-	E-100	EW-100	C-100	E-400	E-220	EW-400	EW-220	EC-400	EC-220	ECW-400	ECW-220
WAN Ethernet		•	•		•	•	•	•	•	•	•	•
WAN Cellular (-HG, -HW : 3G+, -LE, -LW : 4G)				•					•	•	•	•
Wi-Fi 2.4 and 5 GHz			•				•	•			•	•
LAN Ethernet 10-100 Mb/s		1	1	1	4	2	4	2	4	2	4	2
Serial link RS232 /RS485						•		•		•		•
USB					•	•	•	•	•	•	•	•
GPS option (with ANT405)					•	•	•	•	•	•	•	•
2 power inputs					•	•	•	•	•	•	•	•
Power supply VDC		12-24	12-24	12-24	12-48	12-48	12-48	12-48	12-48	12-48	12-48	12-48
2 SIM readers									•	•	•	•
Digital input					1	1	1	1	1	1	1	1
Digital output					1	1	1	1	1	1	1	1

In the remainder of this document the term RAS-X is used indifferently for RAS-C, RAS-E, RAS-EC, RAS-EW and RAS-ECW.

# OVERVIEW

## 3 Specifications

General characteristics	
Dimensions	RAS-X-100: 120 x 37 x 88 mm (h,w,d) Other RAS: 135 x 47 x 115 mm (h,w,d)
Weight	Max 0.65 kg
Casing	Metallic RAS- X-100: IP31 – IEC60529 Other RAS: IP20 – IEC60529 DIN rail mounting
Temperature	Non-operating: -40°/ + 85°C Operating: -40°/ + 70°C
Humidity	5 to 95 % relative (non-condensing)
Power supply	Protected against reverse polarity RAS-X-100: Nominal: 12-24 VDC (min 10 VDC - max 30 VDC) Other RAS: Nominal: 12-48 VDC (min 10 VDC - max 60 VDC) 2 points Phoenix type connector
Consumption	RAS-E: 2W RAS-C, RAS-EC, RAS-EW: 5W RAS-ECW: 8W
EMC	Immunity EN61000-6-2: EN61000-4-2 : ESD : 4 kV contact – 8kV air EN61000-4-3 : RF - radiated: 10V/m < 2 GHz EN61000-4-4 : Burst EN61000-4-5 : Surge : 4KV line / earth EN61000-4-6 : RF - conducted EN61000-4-8 : Magnetic fields Emission EN61000-6-4: EN 55032: RF - conducted and radiated FCC: RAS-X-100 : FCC Part 15
Electrical safety	IEC/EN 62368-1 RAS-X-100 : UL 62368-1
Hazardous substances	2011/65/UE (RoHS) REACH



WAN network	
Ethernet	RJ45 Auto: 10/100 full & half duplex MDI/MDI-X
4G/3G+	<p>-LW: 4G LTE worldwide            LTE-TDD bands: B34, B38, B39, B40, B41            LTE-FDD bands: B1, B2, B3, B4, B5, B7, B8, B12, B13, B18, B19, B20, B25, B26, B28, B66            WCDMA bands: B1, B2, B4, B5, B6, B8, B19            GSM bands: 850/900/1800/1900</p> <p>-LE: 4G LTE Europe            LTE bands: B1, B2, B3, B4, B5, B7, B8, B20            WCDMA bands: B1, B2, B5, B8            GSM bands: 850/900/1800/1900</p> <p>-CH: 4G LTE China            LTE bands: B1, B3, B8, B38, B39, B40, B41            WCDMA bands: B1, B5, B8, B9            GSM bands: 900/1800</p> <p>-HG: 3G+ HSPA worldwide (except. North America)            WCDMA bands: B1, B2, B5, B8            GSM bands: 850/900/1800/1900</p> <p>-HW: 3G+ HSPA worldwide            WCDMA bands: B1, B2, B4, B5, B6, B8, B19            GSM bands: 850/900/1800/1900</p> <p>Max output power LTE: 25 dBm            Max output power WCDMA: 25 dBm            Max output power GSM 850/900: 33 dBm            Max output power GSM 1800/1900: 31 dBm</p> <p>Max data rate LTE: UL @ 50 Mbps and DL @ 100Mbps            Max data rate HSPA: UL @ 5,7 Mbps and DL @ 21 Mbps            Max data rate EDGE: UL @ 237 Kbps and DL @ 237 Kbps</p> <p>Antenna connector female SMA            1 or 2 mini SIM card holder</p>
Wi-Fi	Client 2.4 and 5 GHz 802.11 a/b/g/n Max output power 2.4/5 GHz: 18 dBm Antenna connector female RP-SMA

LAN network	
Ethernet	RJ45: 1 to 4 ports depending on model Auto: 10/100 full & half duplex MDI/MDI-X
Wi-Fi	Access point 2,4 and 5 GHz (up to 5 users) 802.11 a/b/g/n Antenna connector female RP-SMA

## OVERVIEW

Routing / @IP	
IP Routing	Static routes RIP Address translation (DNAT, SNAT, NAT 1:1)
IP@ assignment	WAN interface: DHCP client or fixed IP LAN interface: DHCP server
DNS	WAN interface: compatible with DYNDNS, No-IP or ETIC DNS LAN interface: DNS relay & server
Redundancy	VRRP RFC 3768 protocol Multi WAN for backup on some RAS models

Security	
VPN tunnel	OpenVPN (TLS), IPSEC, L2TP/IPSEC, PPTP Shared key or X509 certificate Encryption AES 128-192-256 CBC and GCM Authentication: SHA-256-384-512 Up to 10 VPN tunnels (mix OpenVPN IPSEC allowed)
Firewall	Statefull packet inspection (SPI: 50 rules) IP@ and ports filtering
Administration	Role based management (super administrator, administrators, auditors) Local authentication or delegated ActiveDirectory, LDAP/LDAPS and Radius
Log	Timestamped Events: connection, restart, alarms SYSLOG
Alarms	Digital input: email, SMS, SNMP trap Digital output: Power supply failure, user connection...

Serial gateways	
Gateways	Raw TCP client Raw TCP server Raw UDP Raw Multicast Modbus TCP client to Modbus RTU/ASCII slave (for master PLC) Modbus TCP server to Modbus RTU/ASCII master (for slave PLC) Telway/XIP to Unitelway slave (for master PLC) Telnet RFC 2217
RS232/RS485	Data rate : 1200 to 115200 kb/s, 10 or 11 bits, parity N / E / O RS232 : RJ45 RS485 : 2 points Phoenix type connector
USB	1 port USB host PPP client

Misc.	
SNMP	SNMP V2 and V3 Supported MIBs: RFC1213-MIB (MIB-2) ETIC-TELECOM-MIB-1 SNMP traps
Configuration	HTTP and HTTPS server SSH console
Management	Import and export configurations Reset product to return to factory configuration
Data logger	For option « Collect&Alert » Internal memory : 50 MB MicroSD card USB port

M2Me solution	
M2Me_Connect	Secure interconnection service of VPN tunnels
Users	Up to 200 remote users
Alarms	Compatible with «Store4Me» solution
Security	RAS access: Login & Password and Certificate (optional) Single RAS product key required for the remote user Customizable LAN machine network access rights Local authentication or delegated ActiveDirectory, LDAP/LDAPS and Radius
Communication	Secure connection to M2Me_Connect service End to end VPN: OpenVPN
Management	« Collect & Alert » Recording on USB flash drive, µSD card or internal memory Email and SMS alarms « Store4Me » Data storage and dashboard in the Cloud « Pack SMS » Options managed from the client area of the WEB site
M2Me client	PC: W10 and W11 Smartphone and Tablet: Android et iOS
RAS Manager	Centralized RAS fleet management (option)

# OVERVIEW

## 4 Product overview

### 4.1 Main functions of the RAS

#### Remote maintenance of machines using the M2Me\_Connect service

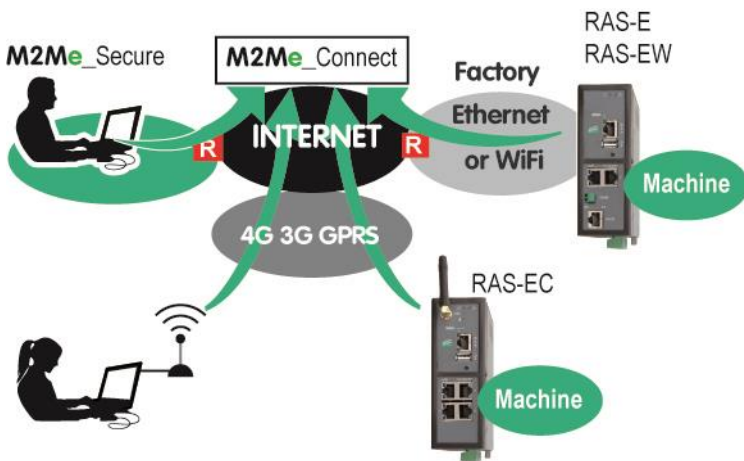
The RAS family allows to connect easily and safely a machine to a remote PC, through the M2Me\_Connect Internet cloud service, for operation like remote maintenance.

When the remote PC is connected, the remote user can exchange any kind of data with each device of the machine network as if his PC was directly connected to the machine network.

#### Ethernet or serial devices

The machine can consist of one or several devices connected through an Ethernet machine network or connected through a serial RS232-RS485 interface.

The RAS can be connected to the Internet through a cellular network, a Wi-Fi network or a factory network



#### An Up-to-date IP router for particular situations

When using the Expert mode set-up, the RAS becomes a powerful IP router-RAS-firewall for industrial IP networks applications.

## 4.2 RAS organization

The RAS connects to the devices network (called machine) and on the other hand to the Internet.

The RAS provides two IP interfaces: The WAN interface to reach the Internet and the LAN interface to connect the machine.

### WAN interface:

Depending on the model, the RAS provides the following interfaces to reach the Internet:

	WAN interfaces				
	RAS-E	RAS-EW	RAS-C	RAS-EC	RAS-ECW
Ethernet	●	●		●	●
Wi-Fi		●			●
Cellular			●	●	●

The network connected to the WAN interface is called the WAN network or factory network.

### LAN interface:

Depending on the model, the RAS provides 1 to 4 switched Ethernet ports to connect the devices of the machine.

That network is called the machine network.

1 serial RS232 and 1 serial RS485 interfaces are provided optionally.

### Firewall

The firewall filters data between the WAN interface or any VPN interface on one hand, and the LAN interface on the other hand.

The firewall filters source and destination IP addresses, but also remote users according to their identity.

## OVERVIEW

### 4.3 The M2Me\_Connect connection

#### Connecting a remote PC to a machine in any situation

M2Me Connect service is an ideal solution when a « machine », made of a set of devices connected to the same LAN, is located in a private network (such as a Factory network).

Let's take the example of a « machine » made of a set of connected devices and connected to the Factory Network via a RAS-E.

Assuming that an expert is willing to remotely have access to the machine for breakdown diagnosis, technical data acquisition, Web page display, file or program refreshment, M2Me Connect service enables the remote operator to have access to the machine even if the machine does not have any public IP address.

#### Operation

When it is powered on or if the digital input is enabled, the RAS settles a secured VPN connection onto the M2Me Connect cloud service.

The remote PC is authenticated by the M2Me Connect service.

If the RAS provides two WAN connections (cellular and Ethernet, for example), it establishes the most favorable connection as defined in the configuration of the RAS (In principle Ethernet with cellular backup).

On the other hand, the remote user launches its M2Me Client software and settles a secured VPN connection to the M2Me Connect service.

The directory offered by M2Me Client is helping the user to point the remote machine onto which he wants to be connected.

The RAS verifies that the remote user is allowed to be connected by checking its login & password and as an option the certificate of the remote PC. Remote user authentication can also be delegated and centralized on an LDAP server

The RAS grants to the remote user access rights according to its identity.

In order to warrant the level of security requested by industrial application, connection from PC to RAS is fully encrypted and cannot be recovered even in case of intrusion onto the M2Me Connect service.

## 4.4 Benefits of the M2Me\_Connect service

### Outgoing connection

M2Me connection onto the Internet is powered from the RAS. This non-intrusive solution is better admitted than an incoming connection from the Internet onto the Machine.

### Private & dynamic IP address

The machine connected into a factory network or connected to the Internet via a cellular network does not have a public IP address. M2Me solution does not require a public IP address to settle a connection onto the machine.

### Access to each device of the machine

M2Me teleports your PC onto the machine network enabling you to have access to each device of the machine as if you were in front of the machine.

### Machine with Ethernet or serial connection

The family of RAS enables you to set up a connection to any type of PLC offering an Ethernet or a serial connectivity.

### Simple configuration

Html configuration Server is delivered with a Wizard which gives an intuitive way of configuring the device.

### Simple Operation

M2Me Client software offers a set of directories for the remote machines. One click is enough to be connected.

### Security of customer network (Factory or WAN network)

RAS enables the remote operator to have access only to the machine network protecting the factory network from any intrusion.

### Machine & Device Access protection

A remote user can access to the machine if and only if its identification (login & password) has been preregistered in the RAS.

An extra security option is offered. RAS can also demand the certificate installed in the PC of the remote user. The RAS can also give restricted access to the machine network giving access only to certain devices of the machine and not to all.

### Internet & Security

The flow of information passing through the M2Me connection is fully encrypted and requires authentication to the M2Me server of both the PC of the remote user and the RAS. A third party cannot consequently have access to the machine preserving the integrity of the industrial process to be remote maintained.

# OVERVIEW

## 5 Use cases

There are different ways to connect the RAS to the Internet and to the machine depending on the situation which is encountered and also on the RAS model.

At the setup time, the wizard proposes all or part of these situations according to the model; just select the appropriate situation and be guided to implement the Internet connection and the list of users.

The other functions can be configured with the Expert mode.

Use case	Internet access	Description	
1 Any models	Factory network	The Machine is connected to the Internet via the Factory network through the RAS.	
2 Any models	Factory network	The machine belongs to the Factory network.	
3 RAS-EC RAS-ECW	Cellular network	The machine is connected to the Internet via a cellular network.	
4 RAS-EW RAS-ECW	Wi-Fi	The machine is connected to the Internet via a Wi-Fi network.	
5 RAS-EC RAS-ECW	Factory network + cellular network	The machine is connected to the Internet via the Factory network and, if it is not available, via a cellular network.	
6 RAS-ECW	Wi-Fi + cellular network	The machine is connected to the Internet via the Wi-Fi network and, if it is not available, via a cellular network.	

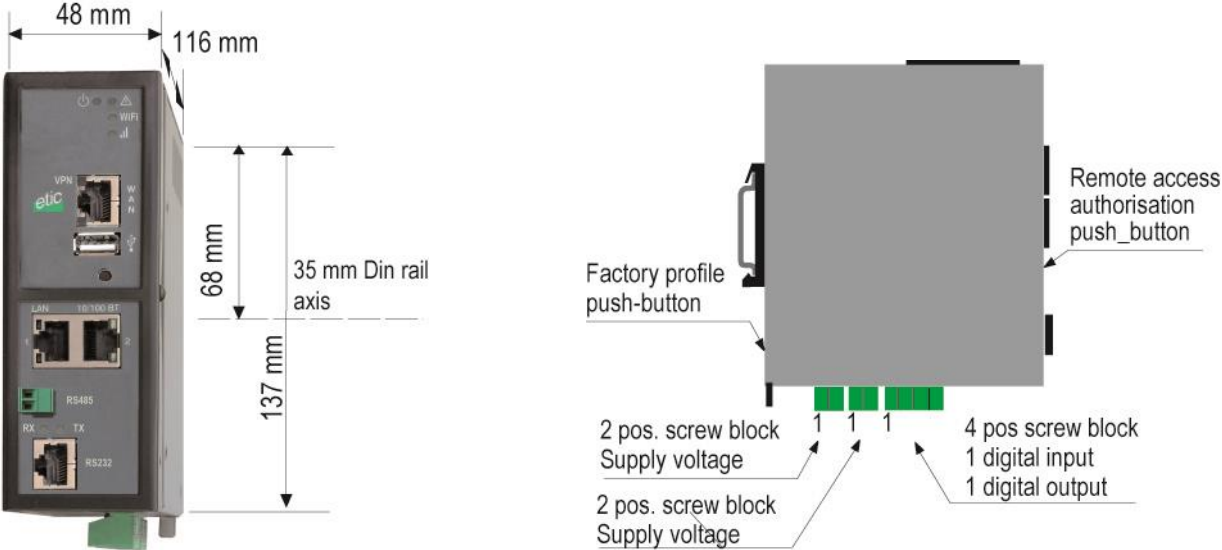


# INSTALLATION

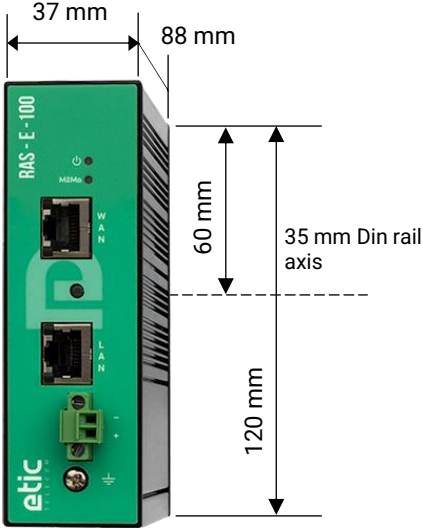
## 1 Description

### 1.1 Dimensions

#### All models except RAS-X-100



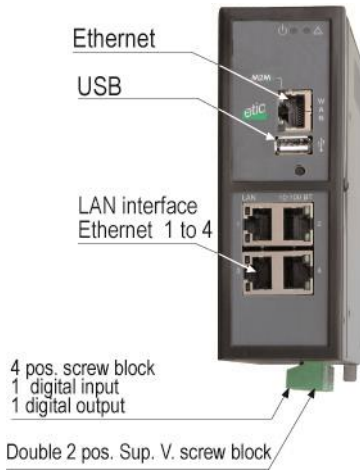
#### RAS-X-100



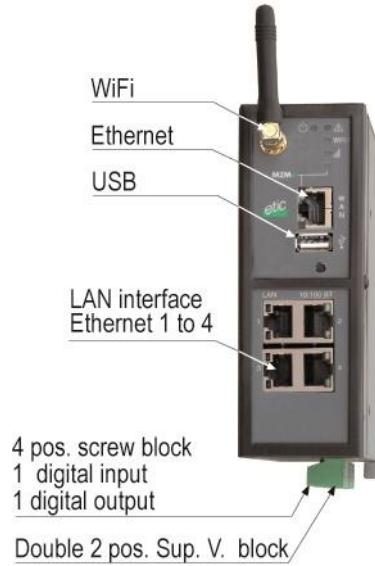
# INSTALLATION

## 1.2 Connectors

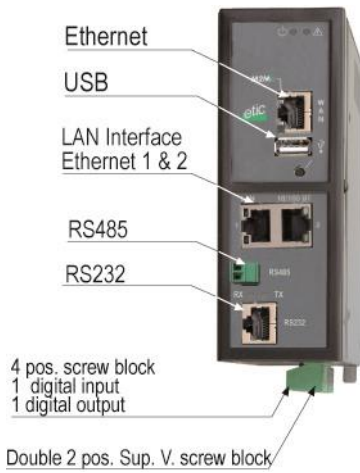
**RAS-E-400**



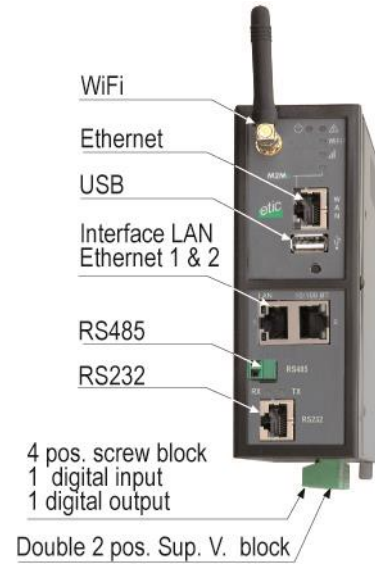
**RAS-EW-400**



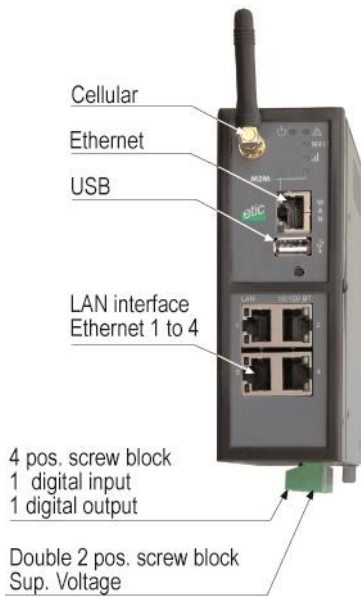
**RAS-E-220**



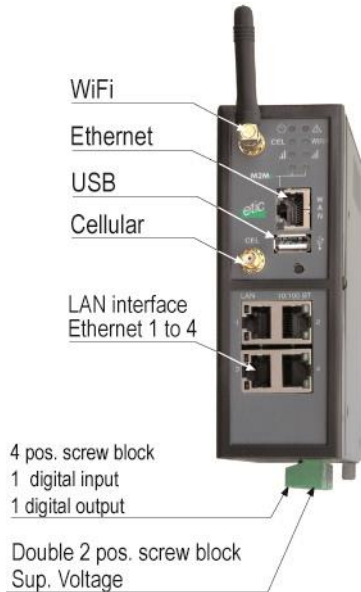
**RAS-EW-220**



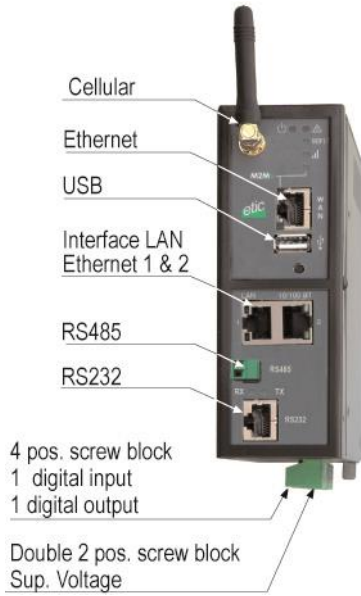
**RAS-EC-400**



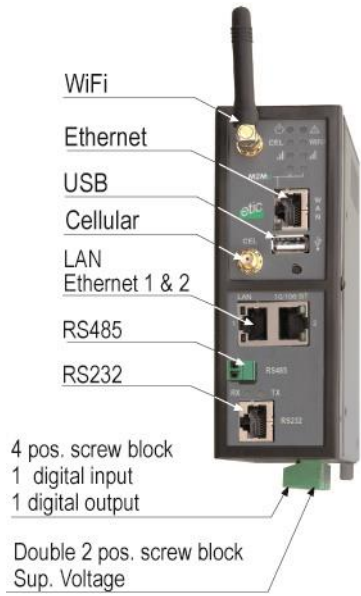
**RAS-ECW-400**



**RAS-EC-220**

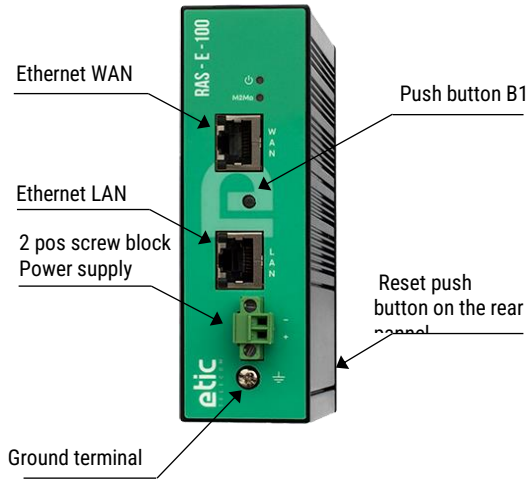


**RAS-ECW-220**

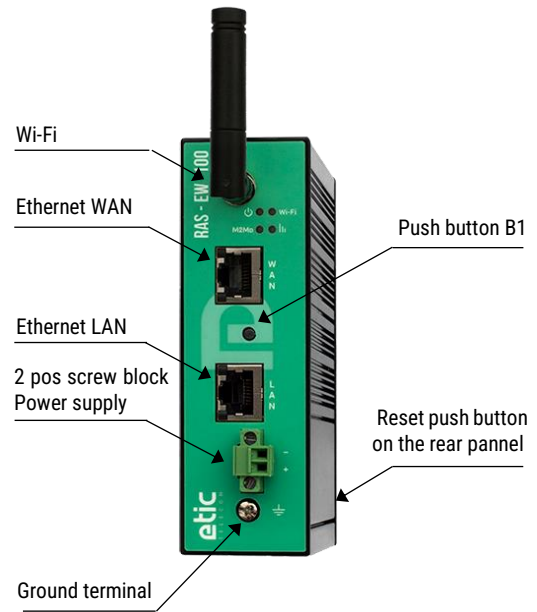


# INSTALLATION

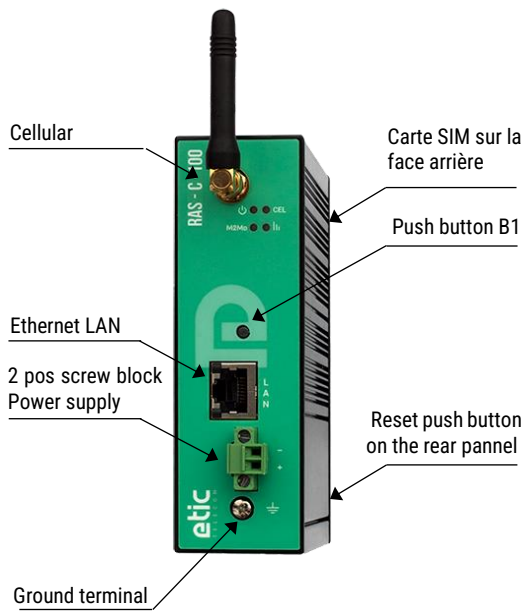
## RAS-E-100



## RAS-EW-100




## RAS-C-100



**All models except RAS-X-100  
Ground terminal**

Symbol	Description
	FASTON male lug 6.35 mm

**Ground terminal**

Symbol	Description
	M4 screw terminal

**All models except RAS-X-100  
2 positions screw terminal: Supply voltage 1  
Position 1 at back – Protected against reverse polarity**

Position	Signal	Function
1	Power 1 +	12 - 48 VDC
2	Power 1 -	0V

**All models except RAS-X-100  
2 positions screw terminal: Supply voltage 2  
Position 1 at back – Protected against reverse polarity**

Position	Signal	Function
1	Power 1 +	12 - 48 VDC
2	Power 1 -	0V

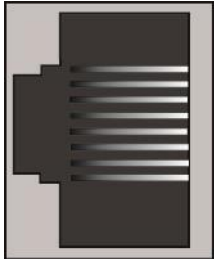
**RAS-X-100  
2 positions screw terminal: Supply voltage  
Protected against reverse polarity**

Position	Signal	Function
1	Power 1 +	12 - 24 VDC
2	Power 1 -	0V

**All models except RAS-X-100  
4 positions screw terminal: Digital input and output  
Position 1 at back**

Position	Signal	Function
1	0V	Digital input 0V
2	In	Digital input
3	F +	Digital output + (max 50Vdc - 0,1A)
4	F -	Digital output -

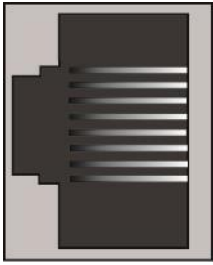
**Ethernet RJ45 connector**

Position	Signal	Function	RJ45
1	Tx +	Emission polarity +	
2	Tx -	Emission polarity -	
3	Rx +	Reception polarity +	
4	N.C.	-	
5	N.C.	-	
6	Rx -	Reception polarity -	
7	N.C.	-	
8	N.C.	-	

## INSTALLATION

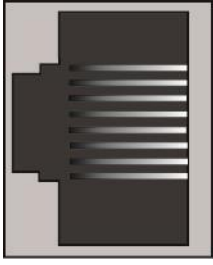
Antenna connectors			
Antenna	Network	Type	Observation
CEL	Cellular	SMA female	3G et 4G
AUX	Cellular	SMA female	To improve the 4G transmission data rate, 2 antennas can be connected (RAS-EC-400 -LE and RAS-EC-220-LE only)
Wi-Fi	Wi-Fi	RP-SMA female	Reverse polarity connector compliant with Wi-Fi antennas.

RAS-X-220 2 positions screw terminal : RS485		
Position	Signal	Function
1	A	RS485 polarity A
2	B	RS485 polarity B

RAS-X-220 RJ45 connector : RS232 To connect a DCE				
Position	Signal	Direction	Function	RJ45
1	DTR - 108	OUT	Data terminal ready	
2	TD - 103	OUT	Data Emission	
3	RD - 104	IN	Data Reception	
4	DSR - 107	IN	Data set ready	
5	SG - 102	-	Ground	
6	Not used	OUT	-	
7	CTS - 106	IN	Clear to send	
8	RTS - 105	OUT	Request to send	

OUT = Signal supplied by the RAS.


IN = Signal supplied by the external device.


RAS-X-220 RJ45 connector : RS232 To connect a DTE				
Position	Signal	Direction	Function	RJ45
1	CD - 109	OUT	Carrier detect	
2	RD - 104	OUT	Data Reception	
3	TD - 103	IN	Data Emission	
4	DTR - 108	IN	Data terminal ready	
5	SG - 102	-	Ground	
6	DSR - 107	OUT	Data set ready	
7	RTS - 105	IN	Request to send	
8	CTS - 106	OUT	Clear to send	

OUT = Signal supplied by the RAS.

IN = Signal supplied by the external device.

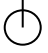



1.3 Push-buttons

Rear panel push-button		
Pressing the PB	LED 	Function
During operation	Flashing red	Temporary return to the factory configuration. (IP address 192.168.0.128) The current configuration is not lost.
During power-up	Flashing red/green	Return to the factory configuration. The current configuration is deleted except if it has been saved into a file.

Front panel push-button		
Pressing the PB	LED 	Function
10 seconds	5 flashes	The hotline of ETICTELECOM is authorized to connect remotely to the router administration server within a 1 hour delay.

# INSTALLATION

## 1.4 LED indicators

LED indicators Depending on models		
Function	LED	Description
<b>Operation</b>		Off Power off Steady green The unit is ready Slow blinking green The unit is busy Steady red Startup (30s) – Hardware or software failure or SIM card missing or memory flash drive missing Fast blinking red Firmware download in progress
<b>Application alarm</b>		See collect&Alert application
<b>Cellular connection</b>	<b>CEL</b>	Off SIM card missing - wrong PIN code – Cellular interface disable Flashing every 4 s Interface enable - not connected Blinking slowly - 2 s Connection in progress (first step) Blinking fast - 0,5 s Connection in progress (password and IP@) Steady green Connected / Brief flashing when traffic on link
<b>Cellular signal quality</b>		Off No signal measured 1 flash Not sufficient signal 2 flashes Sufficient signal 3 flashes Strong signal
<b>M2Me connection</b>	<b>M2Me</b>	Off Not connected to M2Me_Connect service Blinking slowly - 2 s Connection in progress Steady green Connected
<b>Ethernet WAN</b>	<b>Lower LED</b>	Off Not connected or interface disable Green Connected / Brief flashing when traffic on link
<b>Wi-Fi connection</b>	<b>Wi-Fi</b>	Off Interface disable or enable as an access point Flashing every 4 s Interface enable - not connected Blinking fast - 0,5 s Connection in progress Steady green Connected / Brief flashing when traffic on link
<b>Wi-Fi signal quality</b>		Off Wi-Fi not enabled or enabled as an access point 1 flash Faint not sufficient signal 2 flashes Sufficient signal 3 flashes Strong signal
<b>Ethernet LAN 1 to 4</b>	<b>Lower LED</b>	Off Not connected or interface disable Green Connected / Brief flashing when traffic on link
RAS-EC-220 RAS–ECW-220		
<b>RS232/RS485</b>	<b>Rx</b>	Characters received from the RS232 or RS485 serial interface
	<b>Tx</b>	Characters transmitted to the RS232 or RS485 serial interface



## 2 Safety instructions

The product shall be installed in a fire electrical resistant cabinet by a qualified operator.

The product must be connected only to equipment that complies with the IEC60950-1 or IEC62368-1 standards and that meets the following classifications:

- IEC60950-1 : Limited power circuits and SELV type – §2.2 and 2.5
- IEC62368-1 : ES1 & PS2



The RAS-X-100 contain a non-replaceable lithium-metal battery. To avoid any risk of explosion or leakage of flammable liquid or gas, make sure to:

- not exceed the max temperatures specified during use, storage or transportation.
- not subject the product to a low pressure below 116mBar (15 000 m).
- not put this product into a fire or hot oven or cause mechanical cuts or crushing when disposing.



To avoid any risk of burns, it is strongly recommended to wear gloves to handle the product in operation when the ambient temperature exceeds 30 °C.

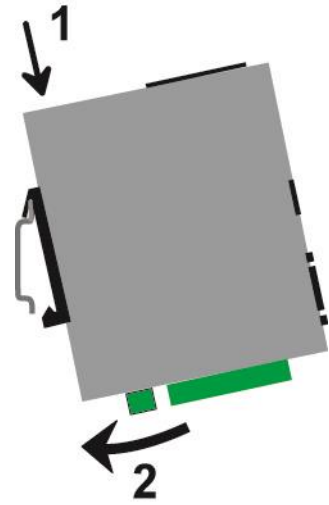
Cellular or Wi-Fi models:

- The antenna should be installed and operated with minimum distance of 20 cm between the radiator and your body.
- The antenna must not be co-located or operating in conjunction with any other antenna or transmitter.

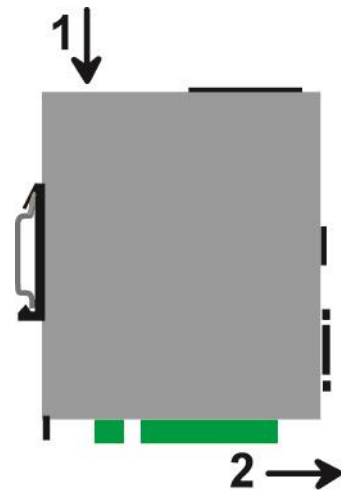
## INSTALLATION

### 3 DIN rail mounting

Mounting the unit on the 35 mm horizontal DIN rail



Removing the unit from the DIN rail



### 4 Cooling

The product is designed to be mounted on a 35mm DIN rail. To avoid obstructing the airflow around the unit, the spacing must be at least 25 mm above and below, and 10 mm left and right.

## 5 Power supply

### All models except RAS-X-100 :

These products provide a dual power inputs allowing a redundancy power supply.  
The supply voltage must be regulated and strictly between 10 and 60 Volt DC (nominal: 12 – 48 VDC).  
At power up the inrush current can reach 20 A for 100  $\mu$ s.

### RAS-X-100 :

These products provide a single power input.  
The supply voltage must be regulated and strictly between 10 and 30 Volt DC (nominal: 12 – 24 VDC).  
At power up the inrush current can reach 20 A for 100  $\mu$ s.

## 6 Earthing

For EMC reasons, the ground terminal must be connected to the functional (or protective) earth of the installation.

## 7 RS232 serial connection

Cables can be provided to connect the product to DTE and DCE as follows:

RS232 cables		
Reference	Connector	Function
CAB592	SubD 9 male	To connect a DCE to the product
CAB593	SubD 9 female	To connect a DTE to the product
CAB609	Wires	To connect a device providing a specific connector

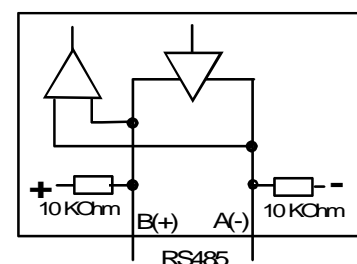
The RS232 cable must be shorter than 10 meters.

## 8 RS485 serial connexion

The RS485 interface is not isolated.

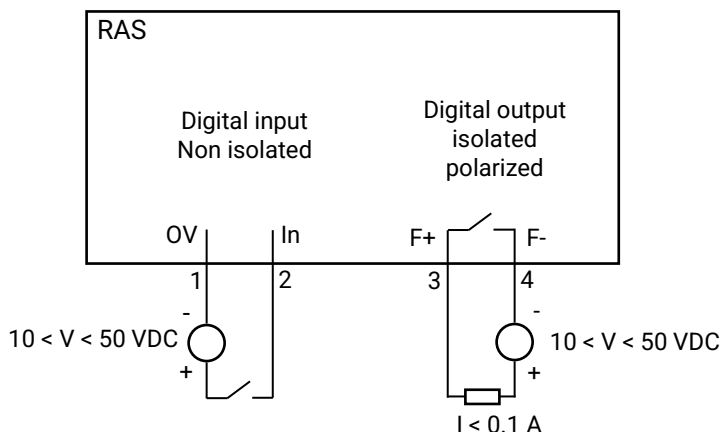
Two 10 KOhm bus polarization resistors are included inside the product.

If the RS485 line is longer than 10 meters or if the data rate is greater than 19200 b/s, it is necessary to connect one 120 Ohm matching resistor at each end of the line and two 390 Ohm polarization resistors at one of the two extremities of the line.



# INSTALLATION

## 9 Digital input and output



To check that the input and the output are correctly wired :

In the menu, select **Diagnostics > Hardware > Input/Output**

The status of the input is displayed and the output can be switched ON or OFF.

## 10 Connecting the RAS to the cellular network

### 10.1 Controls before installing the RAS

#### Authorization to use a cellular connection

Check the cellular connection is authorized at the location where the RAS is supposed to be installed.

#### Control of the reception level before installing the machine

Before installing the RAS, refer to a cell map over the Internet to check that the cellular reception signal is strong enough at the location where the machine is supposed to be installed.

Select the right mobile service provider.

#### Reception level confirmation

If the reception seems possible, confirm with a control on site.

The reception level can be measured with a smartphone.

Most smartphones provide the reception level information (parameters or diagnostic menu).

To carry-out that control, use mandatorily a SIM card subscribed with the mobile service provider selected for the RAS.

Remark:

The RAS itself provides the reception level information in two ways:

- A reception level led indicator

- The diagnostic menu of the administration web server

## 10.2 Cellular antenna

The antenna shall not be installed inside metal cases.

The antenna is supplied separately. Use only an approved antenna.

We provide a complete catalog of cellular antennas.

## 10.3 Coaxial cable

If necessary, the antenna can be connected to the RAS through a coaxial cable.

The signal attenuation in a usual coaxial cable is 0.2 to 0.4 dB / m, that is to say 2 to 4 dB for a 10 meters long cable.

If a coaxial cable must be used to connect the antenna to the RAS, the attenuation in the cable has to be taken into account to calculate the effective RF signal received by the RAS.

Refer to our cables and antennas catalogue.

## 10.4 Cellular service subscription

The RAS is designed to connect to the LTE-UMTS-GPRS data transmission service like the one used by the tablets.

The subscription should also provide the SMS service if SMS alarms are required.

A telephone service subscription is not needed.

One will take care to subscribe to a service authorizing the right volume of data per month (MB/month) and to check the price of the MB exceeding the limit of the subscription plan, if it exists.

The subscription must be preferably signed in the country where the machine is supposed to be installed to avoid roaming costs.

# INSTALLATION

## 10.5 Installing the SIM card

### All cellular IPL models except RAS-C-100

These models provide two mini SIM card holders. If you use only one SIM card, use the SIM card holder Nr 1 (at left on the pictures).

#### Installing the SIM card:

- Power off the RAS.
- Remove the anti-steal lid at the top of the product
- Insert the SIM card according to the drawing.
- Push the card until it locks.



#### Removing the SIM card:

- Power off the RAS.
- Remove the anti-steal lid at the top of the product.
- Push on the SIM card to unlock it.
- Remove the SIM card.

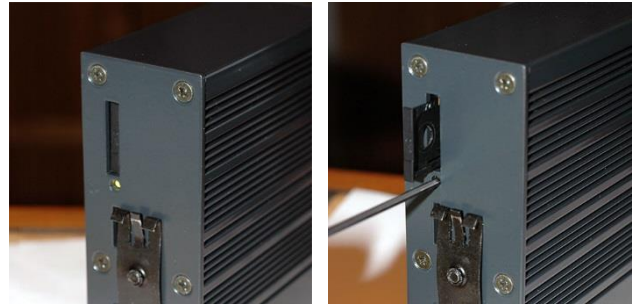


### RAS-C-100

This model provides one mini SIM card holder.

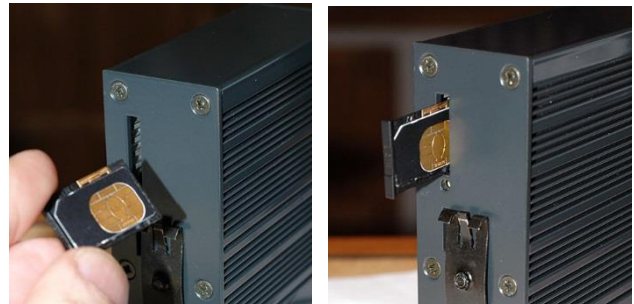
#### Installing the SIM card:

- Power off the RAS.
- With a small tool, push on the button to release the SIM card holder on the back.
- Insert the SIM card into the card holder as shown in the picture.
- Position the card holder in the slides le.
- Push the card until it locks.



#### Removing the SIM card:

- Power off the RAS
- With a small tool, push on the button to release the SIM card holder on the back.
- Remove the SIM card from the card holder and put it back in place.



## 10.6 Controlling the conformance of the connection

After installing and setting up the RAS, control the conformance of the connection:

### Reception level

The reception level must be better than -90 dBm (two flashes of the reception level led indicator). See the table below.

### PING error rate


Each PING request must receive an answer.

### Network response delay to a PING request

The response delay must be better than 500 ms.

If the delay is longer than one second, it means the network is overloaded or that the signal level is weak.

If the connection is not conform, change the position of the antenna or select an alternative service like UMTS instead of LTE for instance.

 Cellular network reception level LED		
State	Description	Reception level dBm
3 flashes	<u>Strong signal</u>	-50 à - 80
2 flashes	<u>Sufficient signal</u> The connection is reliable but the data rate may be reduced due to transmission errors.	-81 à -90
1 flash	<u>No sufficient signal</u> Connection drops and errors may append. Try to improve the reception level.	-91 à -110
Off	<u>No signal</u> Check the antenna connector and the presence of the SIM card.	< -111

To control the signal level with the html server:

- In the menu, select **Diagnostics > Network status > Interfaces**.

## 11 SD card

A microSD card can be used to extend the storage capacity of the data logger when the option « Collect&Alert » or the option GPS are available.

# INSTALLATION

## All RAS models except IPL-X-100

These models provide a microSD card holder on the top of the product.

### Installing the SD card:

- Power off the RAS.
- Remove the anti-steal lid at the top of the product
- Insert the SD card according to the drawing.
- Push the card until it locks.



### Removing the SD card:

- Power off the RAS.
- Remove the anti-steal lid at the top of the product.
- Push on the SD card to unlock it.
- Remove the SD card



## RAS-X-100

These models provide a microSD card holder on the back of the product.

### Installing the SD card:

- Power off the RAS.
- With a small tool, like a tweezers, insert the SD card into the card holder on the back as shown in the picture.
- Push the card until it locks.



### Removing the SD card:

- Power off the RAS.
- With a small tool, like a tweezers, push on the SD card to unlock it.
- With the same tool, remove the SD card





# PREPARING THE SETUP

## 1 Connecting a PC for configuration

### 1.1 Overview

The RAS is configured using a PC with an HTML browser. No additional software is required.

**Online help:**

For most pages of the administration server an help page is available by clicking [?](#) located at the top right of the page.

**Administration server address:**

When the product is delivered, the IP address of the administration web server is 192.168.0.128.

**First setup:**

For the first configuration, we advise to connect the PC directly to the LAN interface of the RAS. Subsequent changes can be made remotely.

**Restoring the factory IP address:**

The factory IP address 192.168.0.128 can be restored (see the User guide of the product).

**Restricted access to the administration server:**

If you do not have access to the administration server, it is probably that access has been restricted for security reasons or for other reasons.

**Network IP address:**

Later in the text, we often speak of “network IP address”. We mean the lowest value of the addresses of the network.

For instance, if the netmask of a network is 255.255.255.0, the network IP address of that network is terminated by a zero (X.Y.Z.0.).

**Characters allowed:**

Accented characters are not supported.

# PREPARING THE SETUP

## 1.2 First configuration

### Step 1: Create or modify the PC TCP/IP connection

Assign to the PC an IP address different but consistent with the factory IP address of the RAS.  
For the first configuration, assign for instance 192.168.0.1 to the PC.

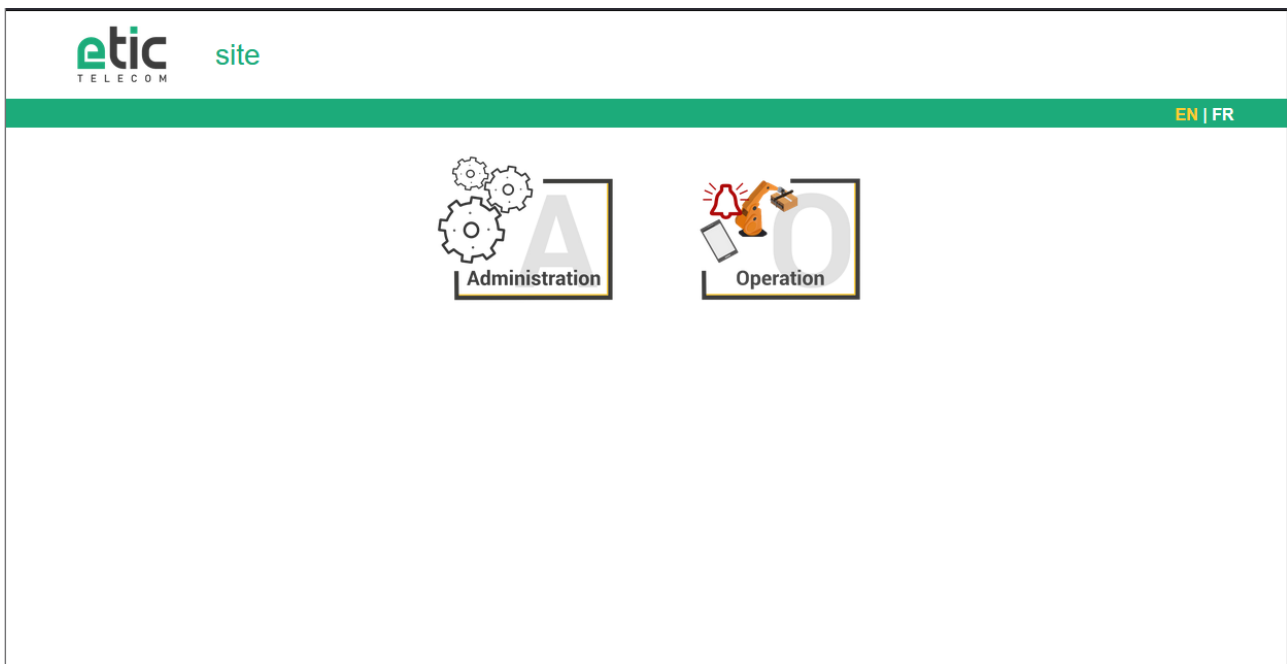
### Step 2: Connect the PC to the RAS

Connect the PC directly to the RAS with any Ethernet cable (straight or cross-wired);

### Step 3: Launch the web browser

Launch the web browser and then enter the IP address of the RAS : 192.168.0.128

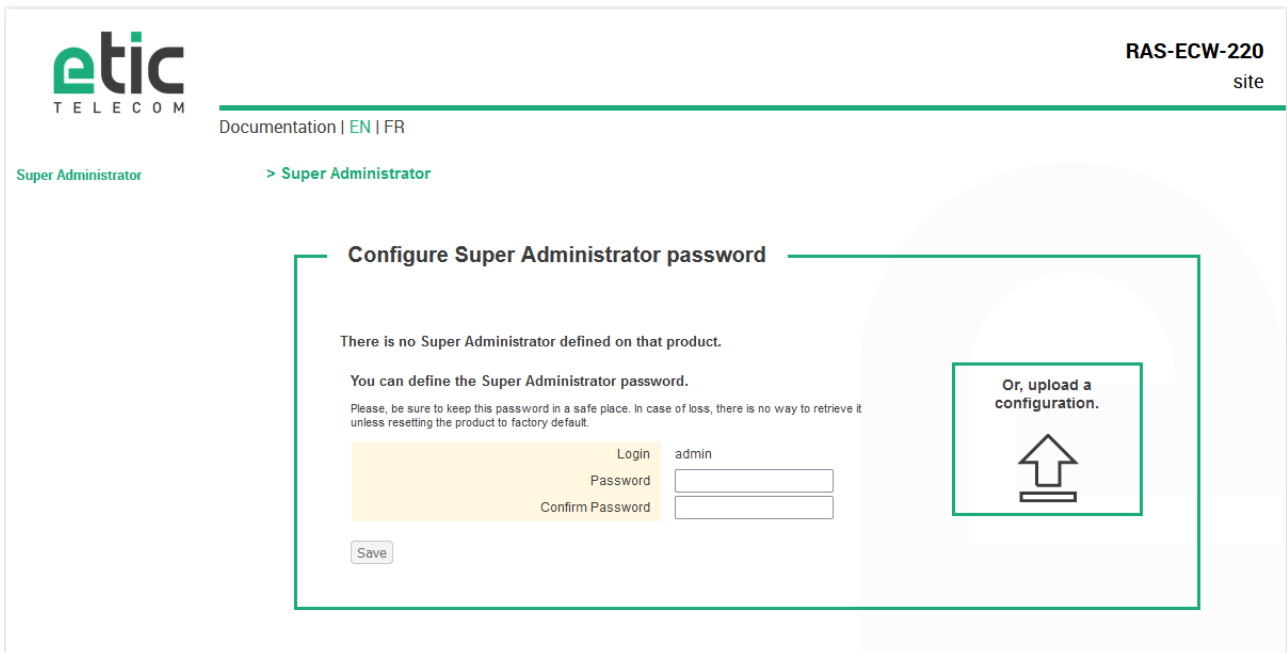
The Home page is displayed.



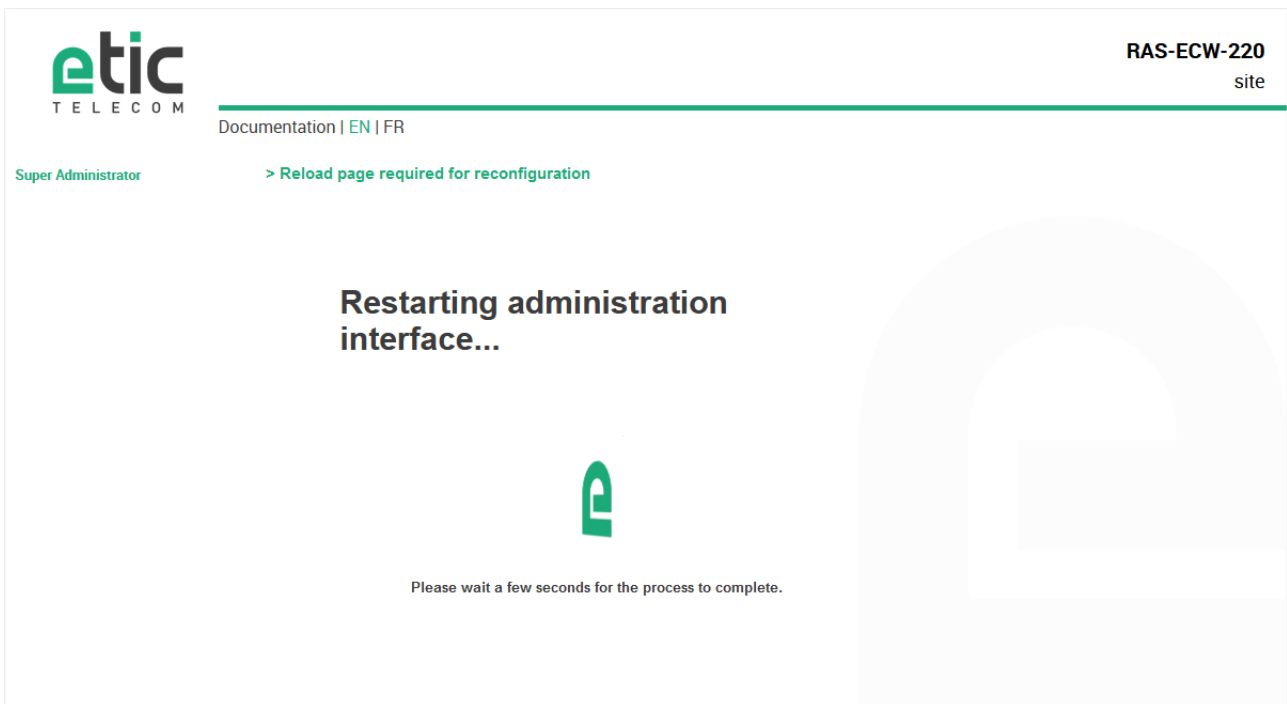
- Click **Administration**

The Super Administrator password setup page is displayed.

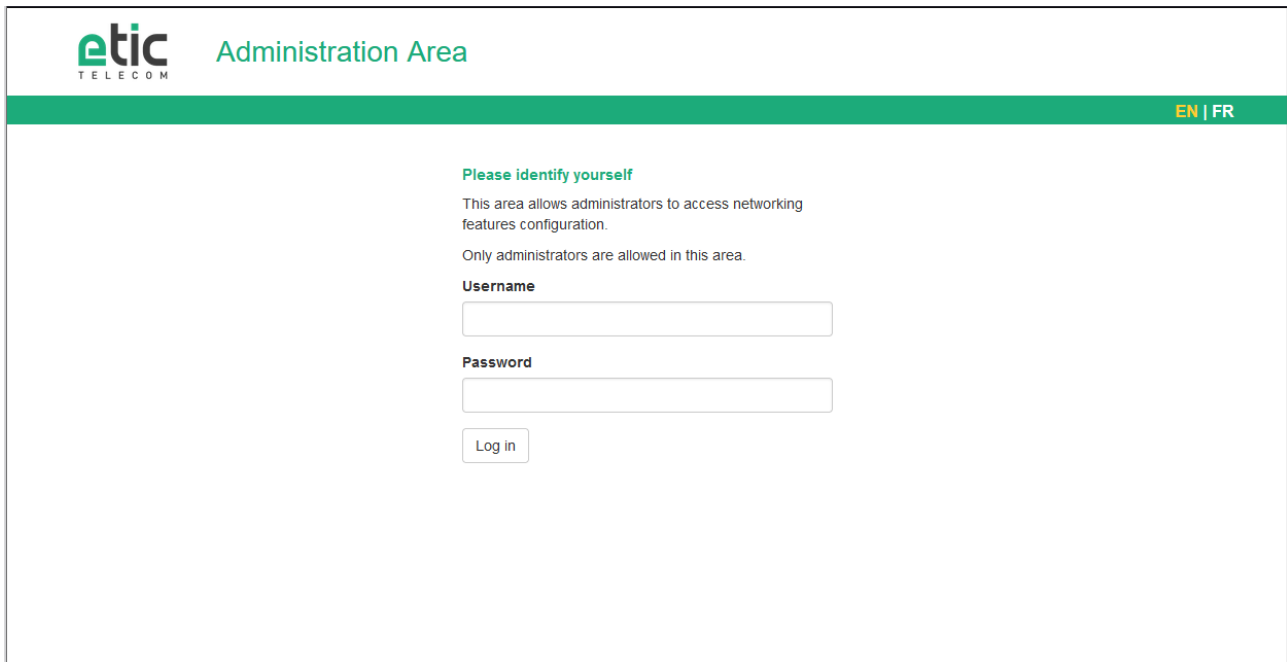
The Super Administrator is the first Administrator created. He has all the rights on the RAS.



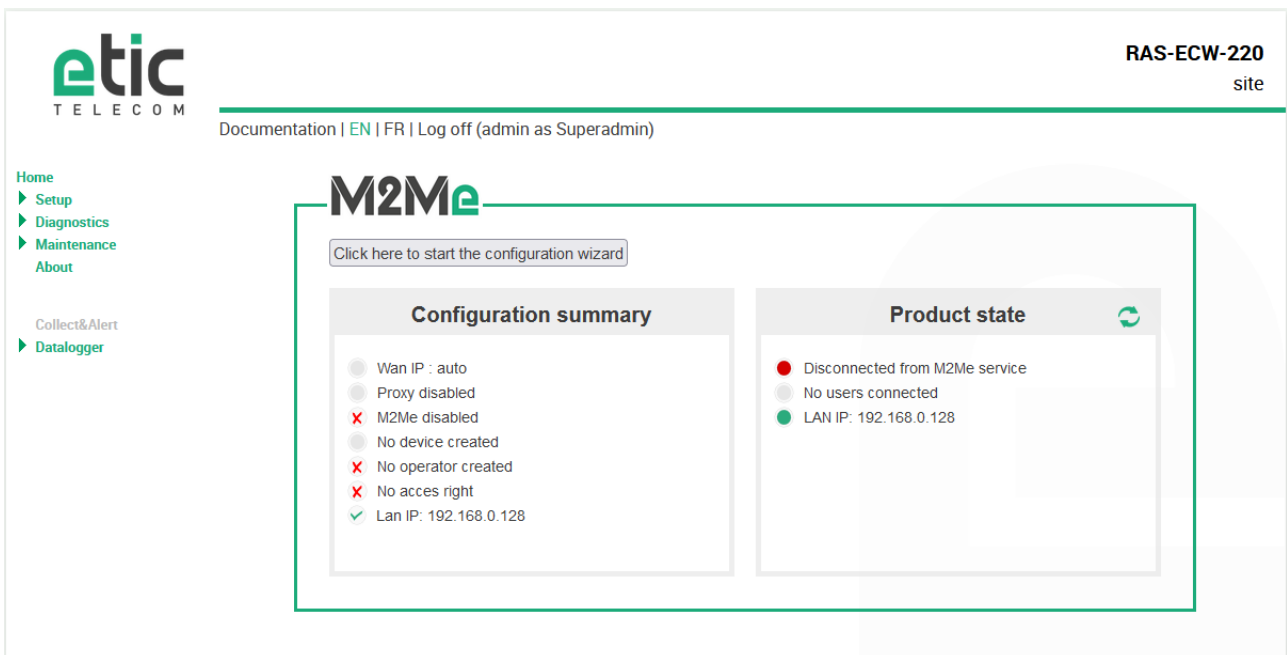
- Set the password for the Super Administrator and wait for the RAS to reconfigure itself.
- Then identify again as Super Administrator



## PREPARING THE SETUP



The Home page of the administration server is displayed.




### 1.3 Changing the configuration later

Thereafter, the RAS administration server is accessible from the local Ethernet interface or remotely through a remote connection at the IP address assigned to the product.

By default, the access to the administration server is not allowed through the WAN interface.

## 2 Temporary return to factory settings

If the IP address of the RAS could not be founded, or if it is impossible to access the administration server, for example, following a configuration error, it is possible to restore the factory settings without losing the current configuration.

- Press the push-button located on the back, for example with a small screwdriver
- Keep the push-button pressed for about 3 seconds;
- The LED  blinks red rapidly
- The administration server becomes accessible at the factory IP address (192.168.0.128), in HTTP without a password. The factory configuration is temporarily running. However, the current configuration is not lost and it is the one that is still displayed in the pages of the Administration Server.
- After reading the IP address or changing some parameters, press again the push button or reboot the product.
- The product can be reached at the registered IP address.

Notes:

For security reasons, the temporary return to factory settings is disabled by default. It can be enabled in the administration server.

If the IP address of the RAS is unknown, the software tool [EticFinder](#) can be used.


This software detects all ETIC branded products on a local network. After starting the software, click on the "Search" button, and when the product list is displayed, double-click on the product address to access the html server.

## 3 Restoring the factory settings

It is possible to restore the factory configuration permanently using the push button on the rear panel, or by using the administration server. In this case, the current configuration will be lost unless it has been saved to a file.

**To restore the factory settings using the push button,**

- Power off the RAS,
- Press the push-button located on the back, for example with a small screwdriver,
- Power on the RAS, while keeping the push-button pressed 30 to 40 seconds.

The LED  blinks red/green; the RAS boots and the factory configuration is restored.

Note: The factory configuration can also be restored via the menu [Maintenance > Configurations management](#) of the administration server.

Note :

The return to factory settings is enabled by default. For security reasons, it can be disabled in the administration server. Consequently, access to the administration server will no longer be possible if the password is lost.



# USING THE WIZARD

## 1 Use cases

The Wizard simplifies set-up of the RAS.

6 use cases can be selected. Each case corresponds to the situations that can be encountered. It takes place in 5 stages:

- 1. Use case selection
- 2. M2Me connection
- 3. Machine network
- 4. Remote operators
- 5. Summary

The choice of the outgoing access to Internet defines the use case. Then simply be guided by the wizard until the final summary to verify that everything has been configured correctly.

To setup the RAS using the wizard,

- Launch the administration web server and click **Start the configuration wizard**.

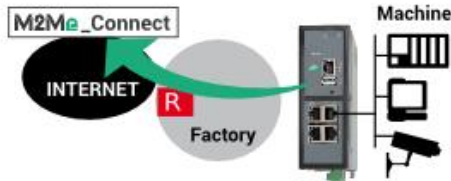
The screenshot shows the 'M2Me Configuration wizard' interface. At the top left is the 'etic TELECOM' logo. At the top right, it says 'RAS-ECW-220 site'. Below the logo, there is a navigation bar with 'Documentation | EN | FR | Log off (admin as Superadmin)'. The main heading is 'Choose your outgoing access to the Internet'. Below this, there are six options, each with a diagram illustrating the network setup:

- via the Ethernet WAN network:** Shows a 'Machine' connected to a 'Factory' (represented by a red 'R' in a circle), which is connected to the 'INTERNET'.
- via the Ethernet LAN network:** Shows a 'Machine' connected to a 'Factory' (represented by a red 'R' in a circle), which is connected to a 'LAN' (represented by a blue 'L' in a circle), which is connected to the 'INTERNET'.
- via the Cellular network:** Shows a 'Machine' connected to '3G/4G' (represented by a green 'C' in a circle), which is connected to the 'INTERNET'.
- via the Wi-Fi network:** Shows a 'Machine' connected to 'Wi-Fi' (represented by a green 'W' in a circle), which is connected to a 'Factory' (represented by a red 'R' in a circle), which is connected to the 'INTERNET'.
- via the Ethernet WAN network with cellular backup:** Shows a 'Machine' connected to '3G/4G' (represented by a green 'C' in a circle), which is connected to the 'INTERNET'. A secondary path shows the 'Machine' connected to a 'Factory' (represented by a red 'R' in a circle), which is connected to the 'INTERNET'. A red '1' is next to the Factory and a red '2' is next to the 3G/4G.
- via the Wi-Fi network with cellular backup:** Shows a 'Machine' connected to 'Wi-Fi' (represented by a green 'W' in a circle), which is connected to a 'Factory' (represented by a red 'R' in a circle), which is connected to the 'INTERNET'. A secondary path shows the 'Machine' connected to '3G/4G' (represented by a green 'C' in a circle), which is connected to the 'INTERNET'. A red '1' is next to the Wi-Fi and a red '2' is next to the 3G/4G.

On the left side of the wizard, there are navigation buttons: 'Prev', 'exit', and 'Next'.

# USING THE WIZARD

## 2 Use case 1

<p><b>The Machine is connected to the Internet via the Factory network through the RAS.</b>          The RAS is installed between the Factory network and the Machine network. The machine devices are separated from the Factory network by the RAS.</p>	
---	--

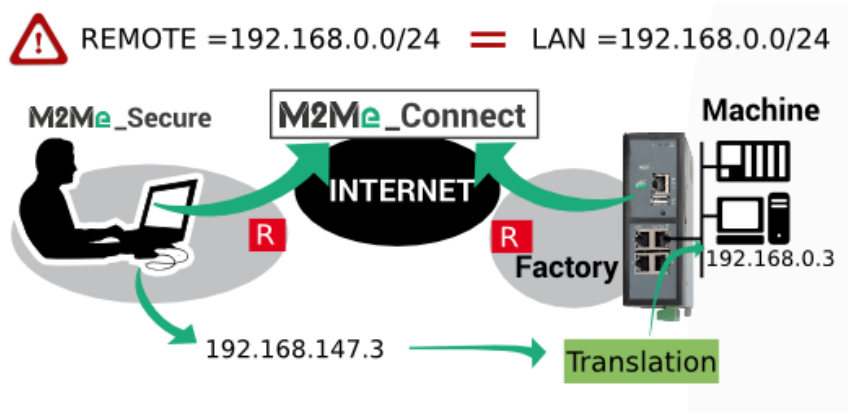
Models	Internet access	Internet interface	Machine interface
Any models	Factory or company network	Ethernet WAN	Depending on models : Ethernet LAN Serial interface

**Rules for assigning IP addresses:**

The network IP address of the Machine and the network IP address of the Factory must be different.  
 If both network IP address are identical, the devices IP address of the machine must be modified.

The network IP address of the Machine and the network IP address of remote PC must be different.  
 If both network IP address are identical, the devices IP address of the machine must be modified or a network address translation is needed to avoid conflicts.

*For instance if the LAN network is translated from 192.168.0.0/24 to 192.168.147.0/24, the device with the address 192.168.0.3 can be reached by the remote maintenance PC at 192.168.147.3.*



**Security**

The Factory network and the Machine network are separated by the RAS; the firewall can operate to filter exchanges between these two networks.

By default, the Machine devices are protected from unexpected exchanges initiated by any equipment connected to the Factory network. Exchanges initiated by a Machine device are allowed. This situation can be modified by setting up the firewall.

The remote user can only access the explicitly declared devices.

Warning: a user without access rights will not be able to access anything.



**3 Use case 2**

<p><b>The machine belongs to the Factory network.</b>                  All the Machine devices belong to the Factory IP network.                  The machine is connected to the Internet via the Factory network.  <u>The RAS is also connected to the Factory network through its LAN interface.</u></p>	<p>The diagram illustrates a network setup. On the left, a black oval labeled 'INTERNET' is connected to a box labeled 'M2Me_Connect'. A green arrow points from the 'INTERNET' area towards a central area. This central area is enclosed in a grey oval and contains a vertical line representing a network backbone. To the left of this backbone are three blue squares labeled 'Factory'. To the right is a server rack labeled 'LAN'. Below the backbone are icons for a computer and a mobile device labeled 'Machine'. A red 'X' is placed on the green arrow, indicating a connection point or restriction.</p>
---	--

Models	Internet access	Internet interface	Machine interface
Any models	Factory or company network	Ethernet LAN	Depending on models : Directly to the Factory switch Serial interface

**Rules for assigning IP addresses:**

The network IP address of the Machine and the network IP address of remote PC must be different.  
 If both network IP address are identical, a network address translation is needed to avoid conflicts.

**Security**

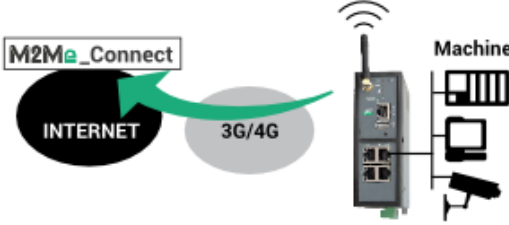


The IP Factory network and the Machine network are merged; as a result, all devices connected to the local network are remotely accessible. This is why it is important to define strictly the authorized devices and the access rights. Do not give the user access right to **All the devices**.

Warning: a user without access rights will not be able to access anything.

## USING THE WIZARD

### 4 Use case 3

<p><b>The machine is connected to the Internet via a cellular network.</b> Depending on models, 4G, 3G+ or GPRS connections are supported.</p>	 <p>The diagram illustrates the network architecture. On the left, a black circle labeled 'INTERNET' is connected to a grey circle labeled '3G/4G'. A green arrow labeled 'M2Me_Connect' points from the '3G/4G' network to the 'INTERNET'. On the right, a 'Machine' is shown with a cellular antenna and a computer monitor, connected to the '3G/4G' network.</p>
--	--

Models	Internet access	Internet interface	Machine interface
RAS-EC RAS-ECW	Cellular network	Cellular antenna	Depending on models : Ethernet LAN Serial interface

#### Rules for assigning IP addresses:

The network IP address of the Machine and the network IP address of remote PC must be different.

If both network IP address are identical, the devices IP address of the machine must be modified or a network address translation is needed to avoid conflicts.

#### Security:

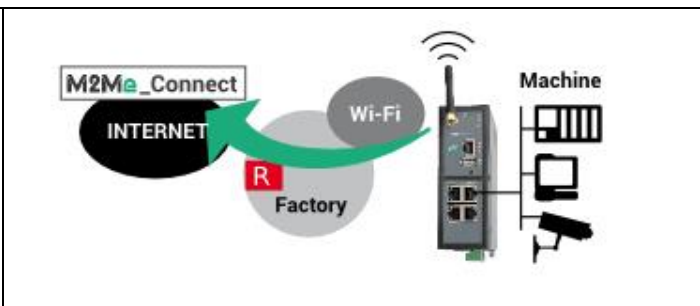
The remote user can only access the explicitly declared devices.

The availability and the quality of a cellular network is sometimes lower than a company network internet access. It is important to check this situation will not provoke any kind of danger for people on the machine site or of any other kind.

Warning: a user without access rights will not be able to access anything.

**5 Use case 4**

**The machine is connected to the Internet via a Wi-Fi network.**  
 The Wi-Fi interface of the RAS is used to access Internet (Wi-Fi client), it cannot be used at the same time as an access point (for example to connect a tablet).



Models	Internet access	Internet interface	Machine interface
RAS-EW RAS-ECW	Factory Wi-Fi network	Wi-Fi antenna	Depending on models : Ethernet LAN Serial interface

**Rules for assigning IP addresses:**

The network IP address of the Machine and the network IP address of the Factory Wi-Fi must be different.  
 If both network IP address are identical, the devices IP address of the machine must be modified.

The network IP address of the Machine and the network IP address of remote PC must be different.  
 If both network IP address are identical, the devices IP address of the machine must be modified or a network address translation is needed to avoid conflicts.

**Security**

The Factory Wi-Fi network and the Machine network are separated by the RAS; the firewall can operate to filter exchanges between these two networks.

By default, the Machine devices are protected from unexpected exchanges initiated by any equipment connected to the Factory network. Exchanges initiated by a Machine device are allowed. This situation can be modified by setting up the firewall.

The remote user can only access the explicitly declared devices.

Warning: a user without access rights will not be able to access anything.

**6 Use case 5**

<p><b>The machine is connected to the Internet via the Factory network and, if it is not available, via a cellular network.</b>                  Reaching the Internet through the Factory network may not be immediately authorized or available at the machine installation time; it is the reason why, the RAS is able to select the available way to the Internet; the Factory network is selected as a priority and the cellular network is used as a backup solution. The RAS switches automatically between that both ways.</p>	
--	--

Models	Internet access	Internet interface	Machine interface
RAS-EC	Factory or company network	Ethernet WAN	Depending on models :
RAS-ECW		Cellular antenna	Ethernet LAN
			Serial interface

**Rules for assigning IP addresses:**

The network IP address of the Machine and the network IP address of the Factory must be different.  
 If both network IP address are identical, the devices IP address of the machine must be modified.

The network IP address of the Machine and the network IP address of remote PC must be different.  
 If both network IP address are identical, the devices IP address of the machine must be modified or a network address translation is needed to avoid conflicts.

**Security**

The Factory network and the Machine network are separated by the RAS; the firewall can operate to filter exchanges between these two networks.

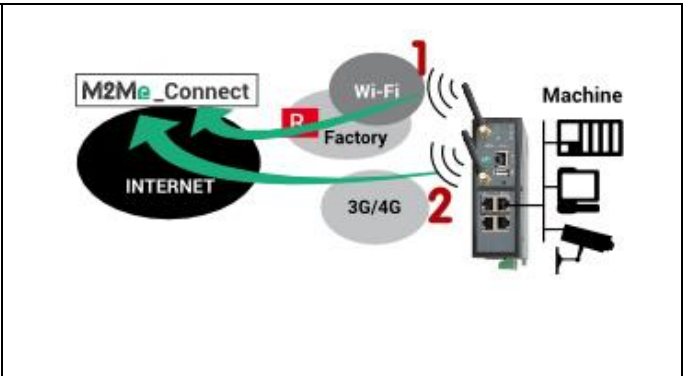
By default, the Machine devices are protected from unexpected exchanges initiated by any equipment connected to the Factory network. Exchanges initiated by a Machine device are allowed. This situation can be modified by setting up the firewall.

The remote user can only access the explicitly declared devices.

Warning: a user without access rights will not be able to access anything.

7 Use case 6

**The machine is connected to the Internet via the Wi-Fi network and, if it is not available, via a cellular network.**  
 Reaching the Internet through the Factory network may not be immediately authorized or available at the machine installation time; it is the reason why, the RAS is able to select the available way to the Internet; the Wi-Fi Factory network is selected as a priority and the cellular network is used as a backup solution. The RAS switches automatically between that both ways.



Models	Internet access	Internet interface	Machine interface
RAS-ECW	Factory Wi-Fi network	Wi-Fi antenna	Depending on models : Ethernet LAN Serial interface
	Cellular network	Cellular antenna	

**Rules for assigning IP addresses:**

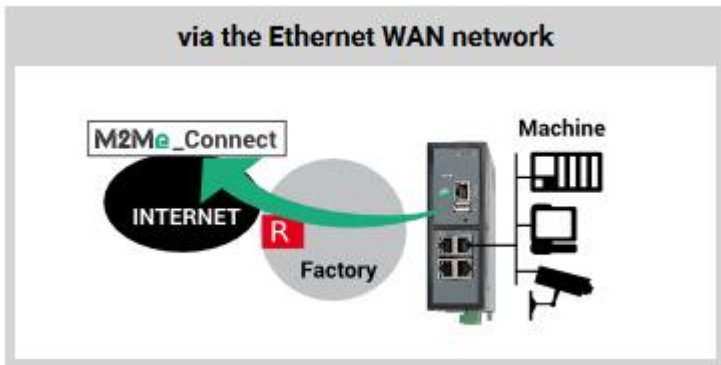
The network IP address of the Machine and the network IP address of the Factory Wi-Fi must be different.  
 If both network IP address are identical, the devices IP address of the machine must be modified.

The network IP address of the Machine and the network IP address of remote PC must be different.  
 If both network IP address are identical, the devices IP address of the machine must be modified or a network address translation is needed to avoid conflicts.

**Security**

The Factory Wi-Fi network and the Machine network are separated by the RAS; the firewall can operate to filter exchanges between these two networks.  
 By default, the Machine devices are protected from unexpected exchanges initiated by any equipment connected to the Factory network. Exchanges initiated by a Machine device are allowed. This situation can be modified by setting up the firewall.  
 The remote user can only access the explicitly declared devices.  
 Warning: a user without access rights will not be able to access anything.

8 Example: Access to the Internet via the Ethernet WAN network



**etic TELECOM** RAS-ECW-220 site  
Documentation | EN | FR | Log off (admin as Superadmin)

**M2Me Configuration wizard**

- 1. Use cases
- 2. **M2Me connection**
- 3. Machine network
- 4. Operators
- 5. Summary

**Ethernet WAN IP settings**

- Obtain an IP address automatically
- Obtain DNS servers addresses automatically

Factory WAN

Navigation: **Prev** **exit** **Next**

**etic TELECOM** RAS-ECW-220 site  
Documentation | EN | FR | Log off (admin as Superadmin)

**M2Me Configuration wizard**


- 1. Use cases
- 2. **M2Me connection**
- 3. Machine network
- 4. Operators
- 5. Summary

**Proxy server for Internet access**

- Direct access to the Internet (no proxy)

Factory WAN

Navigation: **Prev** **exit** **Next**



**RAS-ECW-220**  
site

---

Documentation | [EN](#) | [FR](#) | Log off (admin as Superadmin)

**M2Me**  
Configuration wizard

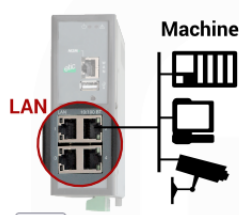
1. Use cases
2. M2Me connection
- 3. Machine network**
4. Operators
5. Summary

### LAN IP settings


⚠ LAN and WAN IP networks must be different.

	IP address	192.168.0.128
	Netmask	255.255.255.0

⚠ Are the LAN and the remote maintenance PC IP networks identical ? No



← Prev
exit
Next →



**RAS-ECW-220**  
site

---

Documentation | [EN](#) | [FR](#) | Log off (admin as Superadmin)

**M2Me**  
Configuration wizard

1. Use cases
2. M2Me connection
- 3. Machine network**
4. Operators
5. Summary

### Devices list

Devices creation is not mandatory.

Nevertheless it is required for:

- restrictive access rights definition
- device presence diagnostic
- WEB portal generation

Devices list

Name	IP Address
<span>Show</span> <span>Edit</span> <span>Delete</span> <span>Add ...</span> <span>Copy and edit</span> <span>⌵</span> <span>⌴</span>	

← Prev
exit
Next →



**RAS-ECW-220**  
site

---

Documentation | [EN](#) | [FR](#) | Log off (admin as Superadmin)

**M2Me**  
Configuration wizard

1. Use cases
2. M2Me connection
- 3. Machine network**
4. Operators
5. Summary

Enter an IP address as xxx.xxx.xxx.xxx for one device or as xxx.xxx.xxx.xxx/yy (IP/Netmask) for a subnet


Device

	Name	PLC
	IP Address	192.168.0.130

Save Cancel Back

← Prev
exit
Next →

# USING THE WIZARD


RAS-ECW-220 site

---

Documentation | [EN](#) | [FR](#) | [Log off \(admin as Superadmin\)](#)

**M2Me**  
Configuration wizard

1. Use cases
2. M2Me connection
3. Machine network
4. Operators
5. Summary

### Devices list

Devices creation is not mandatory.


Nevertheless it is required for:

- restrictive access rights definition
- device presence diagnostic
- WEB portal generation

Devices list

	Name	IP Address
<input checked="" type="radio"/>	PLC	192.168.0.130
<input type="radio"/>	HMI	192.168.0.131

← Prev
exit
→ Next


RAS-ECW-220 site

---

Documentation | [EN](#) | [FR](#) | [Log off \(admin as Superadmin\)](#)

**M2Me**  
Configuration wizard

1. Use cases
2. M2Me connection
3. Machine network
4. Operators
5. Summary

### Remote operator list

⚠ Creation of at least one operator is required. First, create a user, and then, choose it during operator's creation.


Users list

	Active	Full name	User name	E-mail address	Phone number (International format : +33611223344)	Company
<input checked="" type="radio"/>	Yes	Superadmin	admin			

Operator list

User

← Prev
exit
→ Next


RAS-ECW-220 site

---

Documentation | [EN](#) | [FR](#) | [Log off \(admin as Superadmin\)](#)

**M2Me**  
Configuration wizard

1. Use cases
2. M2Me connection
3. Machine network
4. Operators
5. Summary

We advise you to use strong passwords, click on the help icon to know more. ?


User

Active	<input checked="" type="checkbox"/>
Full name	<input type="text" value="Pierre DUPONT"/>
Company	<input type="text"/>
E-mail address	<input type="text"/>
Phone number (International format : +33611223344)	<input type="text"/>
User name	<input type="text" value="dupont"/>
Password	<input type="password" value="....."/> <input type="password" value="....."/> <span style="margin-left: 10px;">Passwords match</span>
Password strength	Medium

For security reasons, choose a password longer than 10 characters with uppercase and lowercase letters, numbers and special characters

← Prev
exit
→ Next




RAS-ECW-220 site

---

Documentation | [EN](#) | [FR](#) | [Log off \(admin as Superadmin\)](#)

**M2Me Configuration wizard**

1. Use cases
2. M2Me connection
3. Machine network
4. Operators
5. Summary

**User**


User: Pierre DUPONT (dupont)

**Access rights**

Select on the table below the devices and services the operator will be authorized to access.

Authorize	Device	Services
<input type="checkbox"/>	All the devices	+ All
<input type="checkbox"/>	All devices on the LAN	+ All
<input type="checkbox"/>	All devices on the additional LAN	+ All
<input type="checkbox"/>	This device	+ All
<input checked="" type="checkbox"/>	PLC	+ All
<input checked="" type="checkbox"/>	HMI	+ All

← Prev
exit
Next →


RAS-ECW-220 site

---

Documentation | [EN](#) | [FR](#) | [Log off \(admin as Superadmin\)](#)

**M2Me Configuration wizard**

1. Use cases
2. M2Me connection
3. Machine network
4. Operators
5. Summary

**Remote operator list**

⚠ Creation of at least one operator is required. First, create a user, and then, choose it during operator's creation.

**Users list**

	Active	Full name	User name	E-mail address	Phone number (International format : +33611223344)	Company
<input checked="" type="radio"/>	Yes	Superadmin	admin			
<input type="radio"/>	Yes	Pierre DUPONT	dupont			


< >

**Operator list**

	User
<input checked="" type="radio"/>	dupont

< >

← Prev
exit
Next →


RAS-ECW-220 site

---

Documentation | [EN](#) | [FR](#) | [Log off \(admin as Superadmin\)](#)

**M2Me Configuration wizard**

1. Use cases
2. M2Me connection
3. Machine network
4. Operators
5. Summary

**Configuration summary**

The configuration wizard is finished. Click on "Apply configuration" to validate the modifications or on "exit" to discard it.

- Wan IP : auto
- Proxy disabled
- 2 devices created
- 1 operator created
- Lan IP: 192.168.0.128

Apply configuration

← Prev
exit
Next →



## ADVANCED SETUP

The main purpose of the wizard is to facilitate the connection of the RAS to the Internet. The advanced setup mode is used to implement both basic functions (usually setup by the wizard) and additional functions if necessary.

The access to the advanced setup is via the menu on the left side of the home page.

Function	Menu
Internet connection set-up Ethernet WAN Cellular network Wi-Fi network (the RAS is a Wi-Fi client)	WAN interfaces
LAN interface set-up The Ethernet & IP setup of the RAS LAN interface The IP addresses of the devices of the machine	LAN Interface
Remote access set-up The M2Me connection The remote operators Their access rights	Remote access
IP routing VPNs Static routes Address translation Port forwarding DynDNS or NoIP	Network
Filtering the data-flow between the LAN interface on one hand and the WAN and VPN interfaces on the other hand	Security > Firewall
Serial gateway set-up	Serial gateways
Email or SM Alarm	System > SMS/e-mail
Administration web server access	Security > Administration rights

For details about the advanced setup, refer to the Routing Setup Guide:  
 Reference: "DOC\_DEV\_Router setup guide\_x"



405 rue Lavoisier  
38330 Montbonnot Saint Martin  
France

Tel : +33 (0)4 76 04 20 00  
contact@etictelecom.com

[www.etictelecom.com](http://www.etictelecom.com)