

TBOX-1E10

Ultra-Small Industrial Box PC With Intel J6412; 2 GbE, 4 USB, 1 HDMI, 1 DP, Audio; DC 9~36V; 1* Mini-PCIe

Version: 3.2



Features:

- Rugged, Ultra-small, fanless designed box structure;
- Intel Elkhart Lake Celeron J6412 Quad-core processor;
- Wide voltage DC 9 to 36V power input;
- Industrial -20 ~ + 60°C operating range;
- 2 GLAN, optional with 3G/4G/LTE/5G, and Wi-Fi/BT expansion;
- 4 USB3.0, 1 HDMI, 1 DP, Mic-in/Line-out;
- 1 M.2 3042/3052 B-Key, and 1 M.2 2230 E-key;
- Optional support Din-Rail mount.

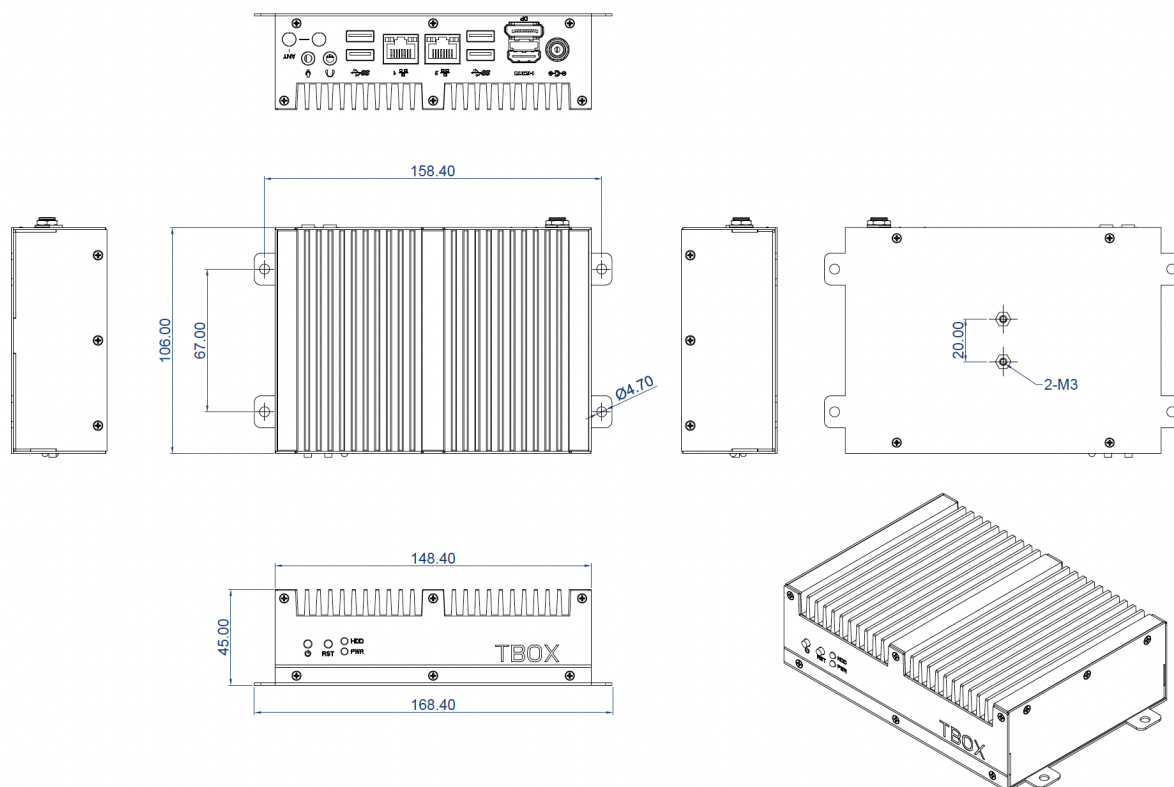
Specification



System	BIOS	SPI AMI EEI BIOS
	CPU	Intel Elkhart Lake J6412, Quad-core processor
	CPU Ghz	Quad-core 2.0Ghz, burst to 2.6Ghz
	TDP	10W
	Memory	SO-DIMM, DDR4-3200 Mhz, Max. up to 32GB
	Storage	1* M.2 2280 M-Key PCIe x2
	Graphic	Intel UHD Graphics Gen10
	Network	1* Intel I225-V, 1* Intel I210AT, optional support 3G/4G/5G/Wi-Fi Wireless
	Audio	On-board Realtek ACL 269 Audio controller
	Expansion	1* M.2 3042/3052 B-key slot, 1* M.2 2230 E-key slot
IO interface	Watchdog	0 ~ 256 seconds programmable
	Operating system	Win10, Win11, Linux
	Serial port	N/A
	Ethernet	2* RJ45, 10/100/1000 Mbps
	Audio	Mic-in/Line-out
	USB	4* USB3.0
	Display	1* HDMI, 1*DP
Structure	Power input	DC Jack, lockable 5.5 * 2.5
	GPIO	Optional (Internal)
	Box structure and surface	Aluminum alloy, anodizing and anti-scratch treatment
	Color	Black
	Mount method	Desktop, wall mount, optional with Din-rail mount
	Cooling system	Finned aluminum heatsinks
	Indicator & Button	Power switch, Power LED, HDD LED
Power & Environmental	Dimension	168.4 * 106.2 * 45 (mm)
	Net weight	About 0.8 KG
	Operating temp.	-20 ~ + 60 (°C)
	Storage temp.	-40 ~ + 70 (°C)
	Humidity	10 ~ 95% @ 10C (No condensation)
	Vibration	50 ~ 500 Hz, 1.5G, 0.15mm peak to peak
	Shock	10G/Peak (11 ms)
	Power input	DC 9~36V
Power consumption	About 20W	
Certificate	CE/FCC/ROHS	

DIMENSIONAL DRAWING:TBOX-1E10

Dimension (mm)



DIMENSIONS IN MILLIMETERS

TAICENN
 DATE:2022.10.18
 REV:C Unit:mm

Ordering information

Part no.	Description
TBOX-1E10	Intel Elkhart Lake J6412, 2 RJ45, 4 USB3.0, 1 HDMI, 1 DP, Mic-in/Line-out, DC 9 ~36V (DC Jack), PSU
Optional Accessories	Description
Memory	SO-DIMM, DDR4, <u>4GB/8GB/16G/32GB</u>
Storage	M.2 NVMe SSD: <u>128GB/256GB/512GB</u>
Wireless	Wi-Fi module, with Antenna
	Wi-Fi module with BT integrated, with antenna
	All network 4G module, with Antenna
Mount Rack	5G Module, with Antenna
	Din 35 mount clip (1 set/unit)

Packing List

Description	Quantity
Standard TBOX-1E10 Box PC Product	1 piece
40W PSU (Power supply)	1 set
Power Cable & Plug	1 set