

# TPC-DCS156T

15.6" WXGA Intel Tiger Lake UP3 Pcap. Panel PC

Version: 3.0

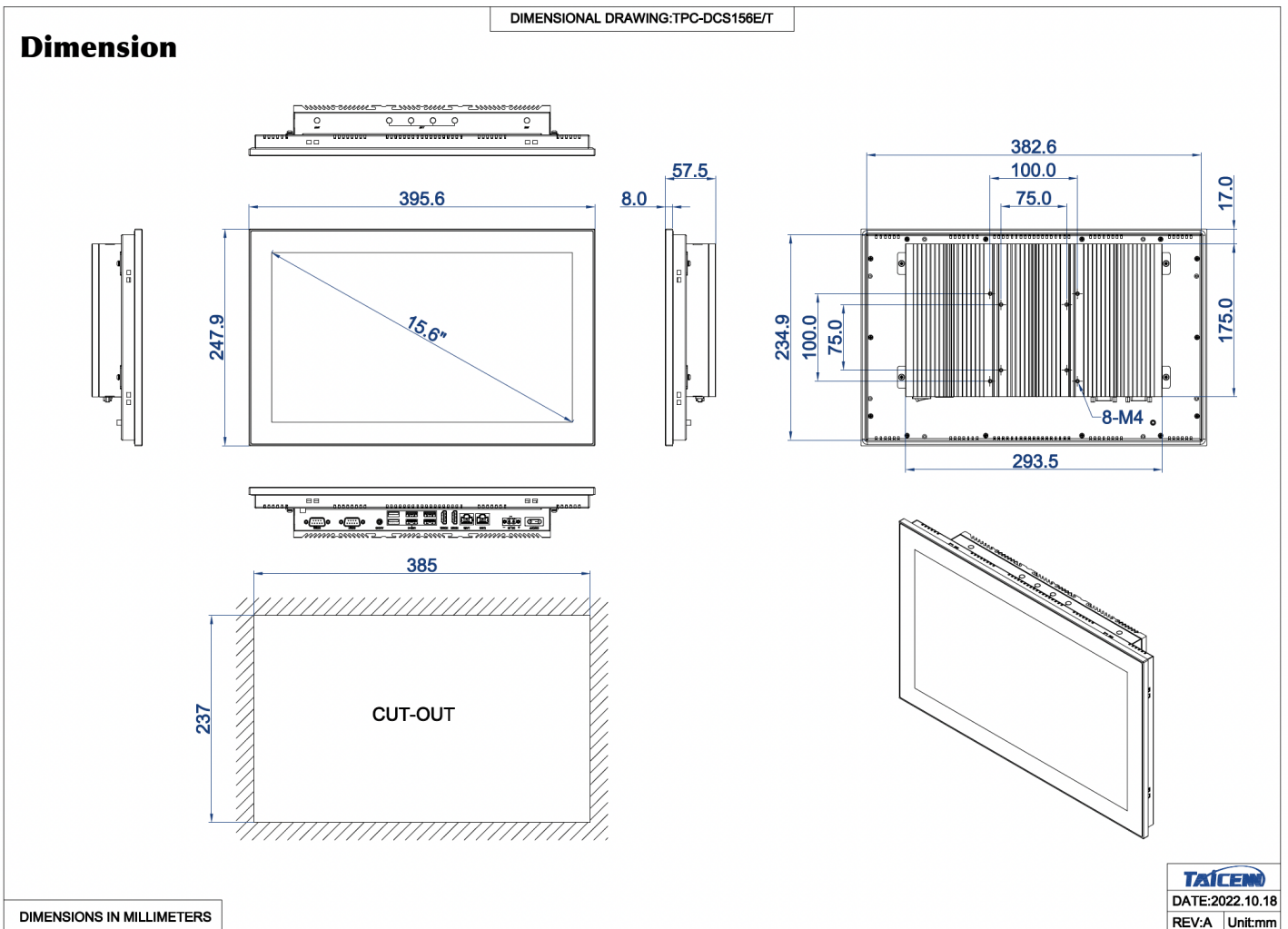


## Features

- 15.6" TFT LCD display, LED Backlit, WXGA 1366 \*768;
- Intel 11<sup>th</sup> Gen. Tiger Lake UP3 Celeron, Core i3/i5/i7 processors;
- 1\* DDR4 memory, up to 32GB, 1\* M.2 2280 (NVMe) storage;
- Multi-points (Max. up to 10 points) Projective capacitive touch, EETI controller;
- Aluminum-magnesium alloy, anodized treatment, Modular designed;
- DC 12V power input, optional wide DC 9~36V input range;
- IO: 2\*GLAN, 6\*USB3.0, 2\*COM (DB9), 2\*HDMI, Audio;
- Intel PTT TPM2.0, support Windows 11;
- Fan-less & Slim design, Panel mount, VESA, Front IP65 protection.

## Specification

<b>Hardware &amp; System</b>	BIOS	SPI AMI EEI BIOS
	CPU	Intel 11 <sup>th</sup> Gen. Tiger Lake UP3 Celeron 6305E, Core i3-1115G4, Core i5-1135G7, Core i7-1165G7
	TDP	Default 15W (BIOS fixed)
	Memory	SO-DIMM, Support DDR4 2666/2933/3200 MHz, Max. up to 32GB
	Storage	1* M.2 2280 M-key (PCIe x4 Gen.IV NVMe) SSD, 1* 2.5" SATA SSD
	Graphic	Intel Iris Xe Graphics
	Network	1* Intel I219, 1* Intel I225 LAN chips, Optional Wi-Fi +BT, 3G/4G/5G
	Audio	On-board Realtek ACL 897 audio controller
	Expansion	1* M.2 (NGFF) Key-B 3052 slot, 1* M.2 (NGFF) Key-E 2230 slot
	Watch dog	0~256 seconds programmable
	OS	Win10, Win11, Linux, Ubuntu
<b>IO interface</b>	COM	2*RS232 (Optional 1* RS485)
	Ethernet	2* RJ45, 10/100/1000 Mbps
	Audio	Mic-in/Line-out (2 in 1, 4.0mm jack)
	USB	6x USB3.0
	Display	2x HDMI
	Power	1x 2 pins, phenix terminal
<b>LCD Display</b>	Size/Type	15.6" TFT LCD
	Resolution	1366 * 768 (WXGA)
	Brightness	500 nits
	Backlit & Lifetime	LED backlit & 50 000hours
	Display area	344.23 * 193.54
	View angle	80/80/80/80
<b>Touchscreen</b>	Type	Projective capacitive touchscreen
	Touch points	Multi points touch, max. up to 10 points
	Durability	>100 000 000 times
	Surface hardness	Mohs 6H
	Special treatment	Anti-fingerprint (AF)
<b>Structure</b>	Structure and surface	Magnesium-Aluminum alloy, sand blasting, anodized treatment
	Mount method	Panel mount, VESA 75/100
	Cooling system	Large area finned heat sink
	Overall dimension	395.6 * 247.9 * 57.5 (mm)
	Cut-out dimension	385 * 237 (mm)
	Net weight	4.3 KG
	IP protection	Front Panel IP65
<b>Power &amp; Environmental</b>	Operating temp.	-10 ~ +60°C
	Storage temp.	-20 ~ +70°C
	Relative Humidity	10 ~ 95% @ 10C (Non-condensation)
	Vibration	50 ~ 500 Hz, 1.5G, 0.15mm peak to peak
	Shock	10G/Peak (11 ms)
	Power input	DC 12V (Optional DC 9~36V)
	Power consumption	Around 40W
	EMC	CE/FCC Class A



### Ordering info.

Part no.	Description
TPC-DCS156T0	15.6", 1366 * 768, Celeron 6305E, Dual-core 1.80Ghz, Pcap. touch, 2*GLAN, 6*USB3.0, 2*COM, Audio, 2*HDMI, DC 12V, PSU
TPC-DCS156T1	15.6", 1366 * 768, Core i3-1115G4, Dual-core 4.10Ghz, Pcap. touch, 2*GLAN, 6*USB3.0, 2*COM, Audio, 2*HDMI, DC 12V, PSU
TPC-DCS156T2	15.6", 1366 * 768, Core i5-1135G7, Quad-core 4.20Ghz, Pcap. touch, 2*GLAN, 6*USB3.0, 2*COM, Audio, 2*HDMI, DC 12V, PSU
TPC-DCS156T3	15.6", 1366 * 768, Core i7-1165G7, Quad-core 4.40Ghz, Pcap. touch, 2*GLAN, 6*USB3.0, 2*COM, Audio, 2*HDMI, DC 12V, PSU
TPC-DCS156TxW	15.6", 1366 * 768, Celeron, Core i3/i5/i7, Pcap. touch, 2*GLAN, 6*USB3.0, 2*COM, 2*HDMI, <b>DC 9~36V, No PSU by default</b>
Memory	SO-DIMM, DDR4, <u>4GB/8G/16G/32G</u> Memory
Storage	M.2 SSD: <u>128GB/256GB/512GB</u>
Wireless Modules	Wi-Fi with BT integrated module, with Antenna All network 4G/LTE module, With Antenna 5G module, with Antenna
Power supply	Optional PSU for TPC-DCS104E1W (If needed)
SIM Card module	Sim card slot for 3G/4G/5G wireless expansion

**Note:** TPC-DCS156TxW, x means CPU code.

### Packing List

■	1x Standard Product
■	1x 60W PSU (Power Supply)
■	1x Power cable & Plug
■	8x Panel mount metal clips