



Features

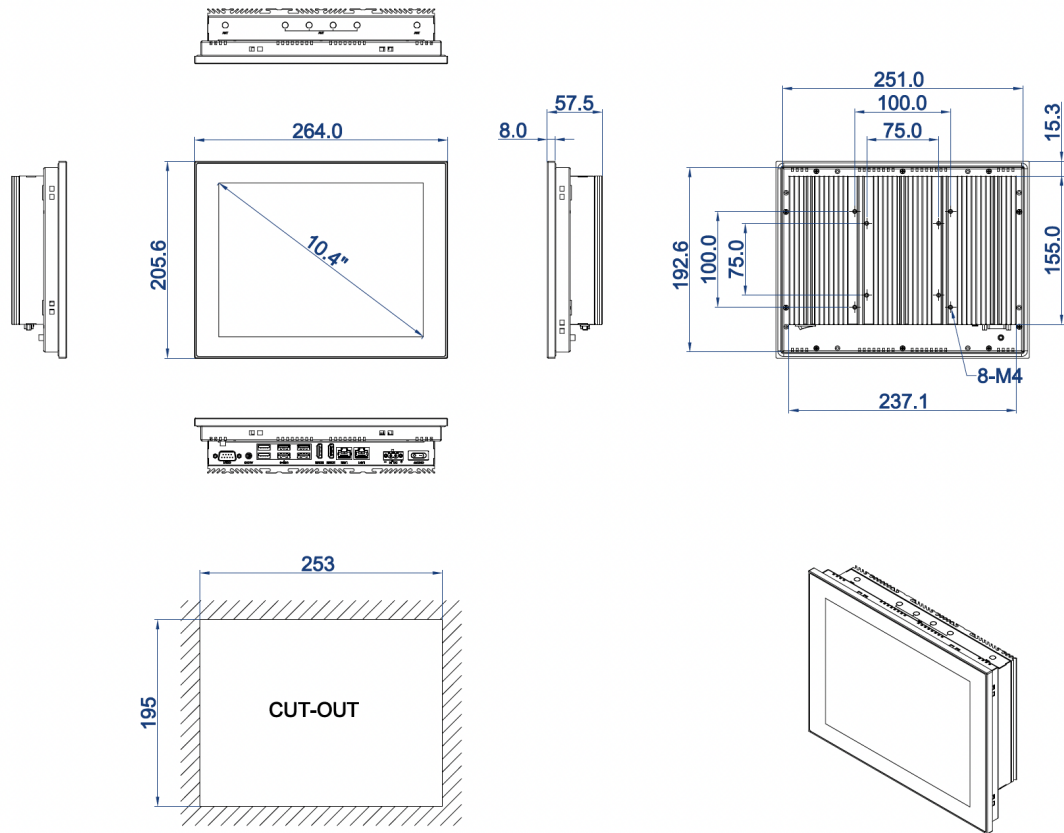
- 10.4" TFT LCD display, LED Backlit, XGA 1024 *768;
- Intel 11th Gen. Tiger Lake UP3 Celeron, Core i3/i5/i7 processors;
- 1* DDR4 memory, up to 32GB, 1* M.2 2280 (NVMe) storage;
- Multi-points (Max. up to 10 points) Projective capacitive touch, EETI controller;
- Aluminum-magnesium alloy, anodized treatment, Modular designed;
- DC 12V power input, optional wide DC 9~36V input range;
- IO: 2*GLAN, 6*USB3.0, 1*COM (DB9), 2*HDMI, Audio;
- Intel PTT TPM2.0, support Windows 11;
- Fan-less & Slim design, Panel mount, VESA, Front IP65 protection.

Specification

Hardware & System	BIOS	SPI AMI EEI BIOS
	CPU	Intel 11 th Gen. Tiger Lake UP3 Celeron 6305E, Core i3-1115G4, Core i5-1135G7, Core i7-1165G7
	TDP	Default 15W (BIOS fixed)
	Memory	SO-DIMM, Support DDR4 2666/2933/3200 MHz, Max. up to 32GB
	Storage	1* M.2 2280 M-key (PCIe x4 Gen.IV NVMe) SSD, 1* 2.5" SATA SSD
	Graphic	Intel Iris Xe Graphics
	Network	1* Intel I219, 1* Intel I225 LAN chips, Optional Wi-Fi +BT, 3G/4G/5G
	Audio	On-board Realtek ACL 897 audio controller
	Expansion	1* M.2 (NGFF) Key-B 3052 slot, 1* M.2 (NGFF) Key-E 2230 slot
	Watch dog	0~256 seconds programmable
OS	Win10, Win11, Linux, Ubuntu	
IO interface	COM	1*RS232 (Optional 1* RS485)
	Ethernet	2* RJ45, 10/100/1000 Mbps
	Audio	Mic-in/Line-out (2 in 1, 4.0mm jack)
	USB	6x USB3.0
	Display	2x HDMI
	Power	1x 2 pins, phenix terminal
LCD Display	Size/Type	10.4" TFT LCD
	Resolution	1024 * 768 (XGA)
	Brightness	350 nits
	Backlit & Lifetime	LED backlit & 30 000hours
	Display area	211.2 * 158.4
	View angle	75/75/75/75
Touchscreen	Type	Projective capacitive touchscreen
	Touch points	Multi points touch, max. up to 10 points
	Durability	>100 000 000 times
	Surface hardness	Mohs 6H
	Special treatment	Anti-fingerprint (AF)
Structure	Structure and surface	Magnesium-Aluminum alloy, sand blasting, anodized treatment
	Mount method	Panel mount, VESA 75/100
	Cooling system	Large area finned heat sink
	Overall dimension	264 * 205.6 * 57.5 (mm)
	Cut-out dimension	253 * 195 (mm)
	Net weight	3.1 KG
	IP protection	Front Panel IP65
Power & Environmental	Operating temp.	-20 ~ +60°C
	Storage temp.	-30 ~ +80°C
	Relative Humidity	10 ~ 95% @ 10C (Non-condensation)
	Vibration	50 ~ 500 Hz, 1.5G, 0.15mm peak to peak
	Shock	10G/Peak (11 ms)
	Power input	DC 12V (Optional DC 9~36V)
	Power consumption	Around 35W
	EMC	CE/FCC Class A

DIMENSIONAL DRAWING:TPC-DCS104E/T

Dimension



DIMENSIONS IN MILLIMETERS

TAICENN
 DATE:2022.10.18
 REV:A Unit:mm

Ordering info.

Part no.	Description
TPC-DCS104T0	10.4", 1024 * 768, Celeron 6305E, Dual-core 1.80Ghz, Pcap. touch, 2*GLAN, 6*USB3.0, 1*COM, Audio, 2*HDMI, DC 12V, PSU
TPC-DCS104T1	10.4", 1024 * 768, Core i3-1115G4, Dual-core 4.10Ghz, Pcap. touch, 2*GLAN, 6*USB3.0, 1*COM, Audio, 2*HDMI, DC 12V, PSU
TPC-DCS104T2	10.4", 1024 * 768, Core i5-1135G7, Quad-core 4.20Ghz, Pcap. touch, 2*GLAN, 6*USB3.0, 1*COM, Audio, 2*HDMI, DC 12V, PSU
TPC-DCS104T3	10.4", 1024 * 768, Core i7-1165G7, Quad-core 4.40Ghz, Pcap. touch, 2*GLAN, 6*USB3.0, 1*COM, Audio, 2*HDMI, DC 12V, PSU
TPC-DCS104T \times W	10.4", 1024 * 768, Celeron, Core i3/i5/i7, Pcap. touch, 2*GLAN, 6*USB3.0, 1*COM, 2*HDMI, DC 9~36V, No PSU by default
Memory	SO-DIMM, DDR4, <u>4GB/8G/16G/32G</u> Memory
Storage	M.2 SSD: <u>128GB/256GB/512GB</u>
Wireless Modules	Wi-Fi with BT integrated module, with Antenna All network 4G/LTE module, With Antenna 5G module, with Antenna
Power supply	Optional PSU for TPC-DCS104T \times W (If needed)
SIM Card module	Sim card slot for 3G/4G/5G wireless expansion

Note: TPC-DCS104T \times W, x means CPU code.

Packing List

■ 1x Standard Product
■ 1x 60W PSU (Power Supply)
■ 1x Power cable & Plug
■ 8x Panel mount metal clips