

UPort 400A Series

4 and 7-port industrial-grade USB 3.2 hubs



Features and Benefits

- USB-IF certification
- USB 3.2 SuperSpeed capability
- Latching USB cable design for firmer connection
- Comprehensive diagnostic LEDs
- Dual power inputs (power jack and terminal block)
- DIN-rail housing and wall-mountable housing
- Rugged metal housing

Certifications



Introduction

The UPort® 400A Series industrial-grade USB 3.2 hubs can expand an USB port into 4 or 7 USB ports. The hubs are designed to provide true USB 3.2 Gen 1 SuperSpeed 5 Gbps data transmission rates through each port, even for heavy-load applications. The UPort® 400A has been awarded the USB-IF SuperSpeed certification, which is an indication that the product is a reliable high-quality USB 3.2 hub. In addition, the hubs are fully compliant with the USB plug-and-play spec and provide full 900 mA power per port, ensuring that your USB devices function properly. The UPort® 400A hubs support a 12 to 48 VDC power range, which make them ideal for mobile applications. Externally powered USB hubs are the only way to guarantee the broadest compatibility with USB devices.

USB-IF Certification

The UPort® 400A USB 2.0 industrial-grade USB hubs have been awarded the USB-IF (USB Implementers Forum) certification. USB-IF verifies a number of strict electrical requirements for the SuperSpeed USB operation of USB hubs designed as per the USB 3.2/2.0 specification. This means that the UPort® 400A supports SuperSpeed USB 3.2 Gen 1 for up to 5 Gbps USB transmission, is fully compliant with interoperability requirements, has enough power for devices to function, and facilitates a smooth transition back to SuperSpeed operation from the suspended state.

ESD Level 4 Protection

Electrostatic discharge (ESD) could be as severe as having more than 1,000 volts of ESD with a high rise-time (dv/dt) breaking through the junction layer of protective devices. In order to avoid serious damage, Moxa's UPort® 400A Series USB hubs provide ESD Level 4 (contact 8 kV, air 15 kV) protection, which increases the quality and value of the user's end product.

USB Cable With a Firmer Connector

UPort® 400A comes with a USB cable that has a latch and screw lock for a more secure connection between the UPort and your computer.

Specifications

USB Interface

USB Standards	USB 3.2 Gen 1 USB 1.1/2.0 compliant
Speed	5 Gbps
USB Connector	UFP: type B DFP: type A
No. of USB Ports	8 (UFP: 1, DFP 7) for UPort 407A models 5 (UFP: 1, DFP 4) for UPort 404A models

Power Parameters

Input Voltage	12 to 48 VDC No. of power inputs: 2
Power Connector	Power jack 3-pin terminal block
Reverse Polarity Protection	Supported
Input Current	UPort 407A Models: 4.75A @ 12 VDC UPort 404A Models: 2.8A @ 12 VDC
Output Power Rating	Port 1: 900 mA / 1500 mA @ 5 VDC, BC 1.2 compliant Rest of ports: 900 mA @ 5 VDC

Physical Characteristics

Housing	Metal
Dimensions	UPort 407A models: 80 x 27 x 140 mm (3.15 x 1.06 x 5.51 in) UPort 404A models: 85 x 27 x 100 mm (3.35 x 1.06 x 3.94 in)
Weight	UPort 407A models: 350 g (0.77 lb) UPort 404A models: 264 g (0.58 lb)
Installation	Wall mounting (with optional kit) DIN-rail mounting (with optional kit)

Environmental Limits

Operating Temperature	Standard Models: 0 to 60°C (32 to 140°F) Wide Temp. Models: -40 to 85°C (-40 to 185°F)
Storage Temperature (package included)	Standard Models: -20 to 75°C (-4 to 167°F) Wide Temp. Models: -40 to 85°C (-40 to 185°F)
Ambient Relative Humidity	5 to 95% (non-condensing)

Standards and Certifications

EMC	EN 55032/35
EMI	CISPR 32, FCC Part 15B Class A
EMS	IEC 61000-4-2 ESD: Contact: 8 kV; Air: 15 kV IEC 61000-4-3 RS: 80 MHz to 1 GHz: 10 V/m IEC 61000-4-4 EFT: Power: 2 kV IEC 61000-4-5 Surge: Power: 2 kV IEC 61000-4-6 CS: 150 kHz to 80 MHz: 10 V/m IEC 61000-4-8 PFMF
Safety	EN 62368-1 UL 62368-1 KC
Environmental Testing	IEC 60068-2-1
Freefall	IEC 60068-2-34

Declaration

Green Product	RoHS, CRoHS, WEEE
MTBF	
Standards	Telcordia (Bellcore), GB
Time	UPort 407A Models: 1,467,922 hours (minimum) UPort 404A Models: 2,107,973 hours (minimum)

Package Contents

Device	1 x UPort 400A Series USB hub
Cable	1 x USB 3.2 Gen 1 type A male to USB type B male cable with latch and screw lock, 1.2 M
Power Supply	1 x power adapter, suitable for your region (for standard temperature models only)
Installation Kit	1 x terminal block, 3-pin, 3.5 mm 4 x rubber stand 1 x wall-mounting kit 6 x Nylok screw

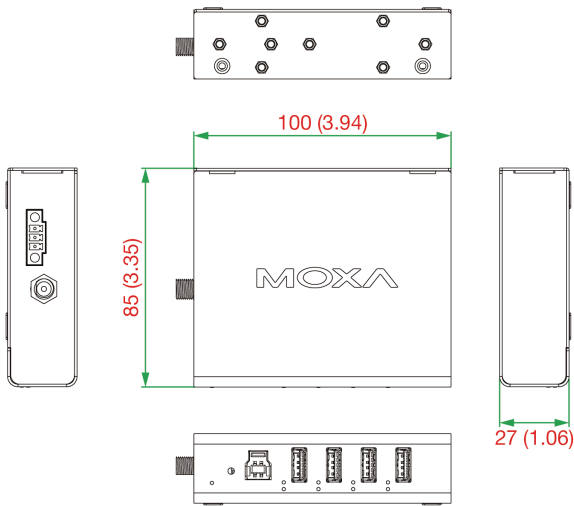
Warranty

Warranty Period	5 years
Details	See www.moxa.com/warranty

Dimensions

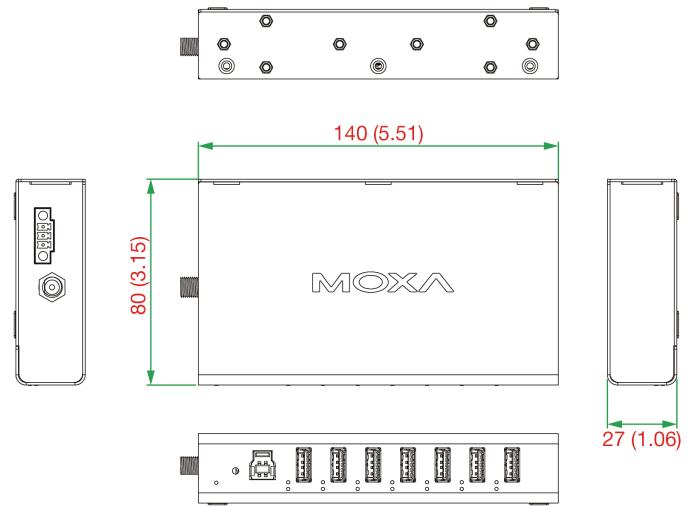
UPort 404A

Unit: mm (inch)



UPort 407A

Unit: mm (inch)



Ordering Information

Model Name	USB Interface	No. of USB Ports	Housing	Operating Temp.	Power Adapter Included
UPort 407A	USB 3.2 Gen 1	7 downstream	Metal	0 to 60°C	Y
UPort 407A-T	USB 3.2 Gen 1	7 downstream	Metal	-40 to 85°C	N
UPort 404A	USB 3.2 Gen 1	4 downstream	Metal	0 to 60°C	Y
UPort 404A-T	USB 3.2 Gen 1	4 downstream	Metal	-40 to 85°C	N

Accessories (sold separately)

Cables

CBL-USB3-BA-G-120	USB 3.2 Gen 1 cable, type A-to-type B with latch and screw, 1.2 m
CBL-USB3-BA-BK-120	USB 3.2 Gen 1 cable, type A-to-type B, 1.2 m

Power Adapters

PWR-12300-WPEU-S2	Locking barrel plug with 12 VDC, 3 A, 100 to 240 VAC, EU plug, 0 to 40°C operating temperature Applicable Models:
-------------------	--

	UPort 404A
PWR-12300-WPCN-S2	Locking barrel plug with 12 VDC, 3 A, 100 to 240 VAC, CN plug, 0 to 40°C operating temperature Applicable Models: UPort 404A
PWR-12300-WPUSJP-S2	Locking barrel plug with 12 VDC, 3 A, 100 to 240 VAC, US/JP plug, 0 to 40°C operating temperature Applicable Models: UPort 404A
PWR-12300-WPUK-S2	Locking barrel plug with 12 VDC, 3 A, 100 to 240 VAC, UK plug, 0 to 40°C operating temperature Applicable Models: UPort 404A
PWR-12300-WPAU-S2	Locking barrel plug with 12 VDC, 3 A, 100 to 240 VAC, AU plug, 0 to 40°C operating temperature Applicable Models: UPort 404A
PWR-12300-WPKR-S2	Locking barrel plug with 12 VDC, 3 A, 100 to 240 VAC, KR plug, 0 to 40°C operating temperature
PWR-Plug-EU-02	EU plug for PWR-12150-WPEU and PWR-12300-WPEU Applicable Models: UPort 404A
PWR-Plug-CN-02	CN plug for PWR-12150-WPCN and PWR-12300-WPCN Applicable Models: UPort 404A
PWR-Plug-USJP-02	US/JP plug for PWR-12150-WPUSJP and PWR-12300-WPUSJP Applicable Models: UPort 404A
PWR-Plug-UK-02	UK plug for PWR-12150-WPUK and PWR-12300-WPUK Applicable Models: UPort 404A
PWR-Plug-AU-03	AU plug for PWR-12300-WPAU Applicable Models: UPort 404A
PWR-Plug-KR-02	KR plug for the PWR-12150-WPKR and the PWR-12300-WPKR Applicable Models: UPort 404A
PWR-12500-DT-S1	PWR-12500-DT-S1 Applicable Models: UPort 407A

Power Cords

PWC-C13EU-3B-183	Power cord with EU/KR plug, 1.83 m Applicable Models: UPort 407A
PWC-C13CN-3B-183	Power cord with three-prong CN plug, 1.83 m Applicable Models: UPort 407A
PWC-C13US-3B-183	Power cord with US plug, 1.83 m Applicable Models: UPort 407A
PWC-C13JP-3B-183	Power cord with JP plug plug, 7A/125V, 1.83 m Applicable Models: UPort 407A
PWC-C13UK-3B-183	Power cord with UK plug, 1.83 m Applicable Models:

	UPort 407A
PWC-C13AU-3B-183	Power cord with AU plug, 1.83 m Applicable Models: UPort 407A

DIN-Rail Mounting Kits

DK-UP-42A	DIN-rail mounting kit for the UPort 400A/200A Series, 107 x 29 mm (4.21 x 1.14 in), with 4 M3 x 5 mm screws
-----------	---

Wall-Mounting Kits

WK-UP400A-BAK-BK	Rear-panel wall-mounting kit for the UPort 400A, 60 x 27 x 2 mm (2.36 x 1.06 x 0.08 in), with 2 plates and 6 M3 x 5 mm screws
WK-UP400A-BOT-BK	Bottom-panel wall-mounting kit for the UPort 400A Series, 43 x 30 x 2 mm (1.69 x 1.18 x 0.08 in), with 2 plates and 6 M3 x 5 mm screws

© Moxa Inc. All rights reserved. Updated Jul 19, 2023.

This document and any portion thereof may not be reproduced or used in any manner whatsoever without the express written permission of Moxa Inc. Product specifications subject to change without notice. Visit our website for the most up-to-date product information.