

# MGate 5121 Series

## 1-port CANopen/J1939-to-Modbus TCP gateways



### Features and Benefits

- Simultaneous protocol conversions from CANopen and J1939 to Modbus TCP and SNMP
- Supports Modbus TCP server and SNMP agent
- Supports CANopen master and J1939
- Flexible deployment with Ethernet cascading and dual subnet
- Embedded traffic monitoring/diagnostic information for easy troubleshooting
- Easy device configuration via a web-based console
- microSD card for configuration backup/duplication
- Supports dual redundant DC power inputs and 1 relay output
- CAN port with 2-kV isolation protection
- -40 to 75°C wide operating temperature models available
- Developed according to IEC 62443-4-2 with Secure Boot

### Certifications



## Introduction

The MGate 5121 is an industrial Ethernet gateway for converting CANopen or J1939 to Modbus TCP network communications. To integrate existing CANopen or J1939 devices onto a Modbus TCP network, use the MGate 5121 as a CANopen or J1939 master to collect data and exchange data with the Modbus TCP host. All models are protected by a rugged and compact metal housing and are DIN-rail mountable. The rugged design is suitable for industrial applications such as factory automation and other process automation industries.

### Easy Configuration

The MGate 5121 gateways are provided with a web console to make configuration easy without having to install an extra utility. In addition, HTTPS encryption of communication ensures higher network security.

In most data-acquisition applications, configuration of CANopen devices can be time-consuming and increase costs. The MGate 5121 gateways provide EDS file import function and user can auto scan the CANopen devices to help complete the settings quickly. The MGate gateways provide software-configurable termination resistor settings for CANbus to reduce efforts by eliminating the need to open the chassis.

### Easy Troubleshooting

The MGate 5121 gateways provide a variety of maintenance functions to reduce troubleshooting time and cost, including LED indicators, protocol diagnostics, traffic monitor, and tag view. These tools help you capture and check data to easily identify the root cause of issues, especially during the installation stage. The MGate gateways also come with status monitoring and fault protection functions. The status monitoring function notifies a PLC/DCS/SCADA system when a CAN device gets disconnected or does not respond, in which case the process PLC/DCS gets the status of each end device and then issues alarms to notify operators. The fault protection function executes actions pre-defined by the user when a host gets disconnected to prevent the end devices from going offline for long periods of time.

## Specifications

### Ethernet Interface

|                                       |                                |
|---------------------------------------|--------------------------------|
| 10/100BaseT(X) Ports (RJ45 connector) | 2<br>Auto MDI/MDI-X connection |
| Magnetic Isolation Protection         | 1.5 kV (built-in)              |

## Ethernet Software Features

|                       |   |
|-----------------------|---|
| Industrial Protocols  | Modbus TCP Client   |
| Configuration Options | Web Console (HTTPS)<br>Device Search Utility (DSU)  |
| Management            | ARP<br>DHCP Client<br>DNS<br>HTTP<br>HTTPS<br>SMTP<br>SNMP Trap<br>SNMPv1/v2c/v3<br>TCP/IP<br>UDP |
| MIB                   | RFC1213   |
| Time Management       | NTP Client  |

## Security Functions

|                    |   |
|--------------------|---|
| Authentication     | Local database                            |
| Encryption         | HTTPS<br>AES-128<br>AES-256<br>SHA-256    |
| Security Protocols | SNMPv3<br>SNMPv2c Trap<br>HTTPS (TLS 1.3) |

## CAN Interface

|              |   |
|--------------|---|
| No. of Ports | 1   |
| Connector    | Spring-type Euroblock terminal  |
| Standards    | ISO 11898-2   |
| Baudrate     | CANopen: 10 kbps, 20 kbps, 50 kbps, 125 kbps, 250 kbps, 500 kbps, 800 kbps, 1 Mbps<br>J1939: 250 kbps, 500 kbps, 1 Mbps |
| Terminator   | 120 ohms<br>software configurable   |
| Signals      | CAN_H, CAN_L, GND, Ext_CAN_H, Ext_CAN_L, CAN_Shield   |

## CAN Software Features

|                      |                       |
|----------------------|-----------------------|
| Industrial Protocols | CANopen master, J1939 |
|----------------------|-----------------------|

## CANopen

|                          |            |
|--------------------------|------------|
| Mode                     | Master     |
| Max No. of Nodes         | 64         |
| Max No. of Receive PDOs  | 256        |
| Max No. of Transmit PDOs | 256        |
| SDOs                     | Supported  |
| Input Data Size          | 2048 bytes |
| Output Data Size         | 2048 bytes |

## J1939

|                      |            |
|----------------------|------------|
| Max. No. of Commands | 256        |
| Input Data Size      | 2048 bytes |
| Output Data Size     | 2048 bytes |

## Modbus TCP

|                                |                              |
|--------------------------------|------------------------------|
| Mode                           | Server                       |
| Functions Supported            | 1, 2, 3, 4, 5, 6, 15, 16, 23 |
| Max. No. of Client Connections | 16                           |
| Total Input Data Size          | 2048 bytes                   |
| Total Output Data Size         | 2048 bytes                   |

## Memory

|              |                                 |
|--------------|---------------------------------|
| microSD Slot | Up to 32 GB (SD 2.0 compatible) |
|--------------|---------------------------------|

## Power Parameters

|                 |                                |
|-----------------|--------------------------------|
| Input Voltage   | 12 to 48 VDC                   |
| Input Current   | 455 mA (max)                   |
| Power Connector | Spring-type Euroblock terminal |

## Relays

|                        |                              |
|------------------------|------------------------------|
| Contact Current Rating | Resistive load: 2 A @ 30 VDC |
|------------------------|------------------------------|

## Physical Characteristics

|            |   |
|------------|---|
| Housing    | Metal                                     |
| IP Rating  | IP30                                      |
| Dimensions | 25 x 90 x 129.6 mm (0.98 x 3.54 x 5.1 in) |
| Weight     | 294 g (0.65 lb)                           |

## Environmental Limits

|  |   |
|--|---|
| Operating Temperature                  | MGate 5121: -10 to 60°C (14 to 140°F)<br>MGate 5121-T: -40 to 75°C (-40 to 167°F) |
| Storage Temperature (package included) | -40 to 85°C (-40 to 185°F)  |
| Ambient Relative Humidity              | 5 to 95% (non-condensing)   |

## Standards and Certifications

|        |  |
|--------|--|
| Safety | EN 61010-2-201<br>UL 61010-2-201   |
| EMC    | EN 61000-6-2/-6-4  |
| EMI    | FCC Part 15B Class A   |
| EMS    | IEC 61000-4-2 ESD: Contact: 8 kV; Air: 15 kV<br>IEC 61000-4-3 RS: 80 MHz to 1 GHz: 10 V/m<br>IEC 61000-4-4 EFT: Power: 4 kV; Signal: 2 kV<br>IEC 61000-4-5 Surge: Power: 2 kV; Signal: 2 kV<br>IEC 61000-4-6 CS: 150 kHz to 80 MHz: 10 V/m; Signal: 10 V/m<br>IEC 61000-4-8 PFMF |

|           |                                 |
|-----------|---------------------------------|
| Freefall  | IEC 60068-2-31                  |
| Shock     | IEC 60068-2-27                  |
| Vibration | IEC 60068-2-6<br>IEC 60068-2-64 |

### MTBF

|           |                 |
|-----------|-----------------|
| Time      | 1,408,984 hrs   |
| Standards | Telcordia SR332 |

### Warranty

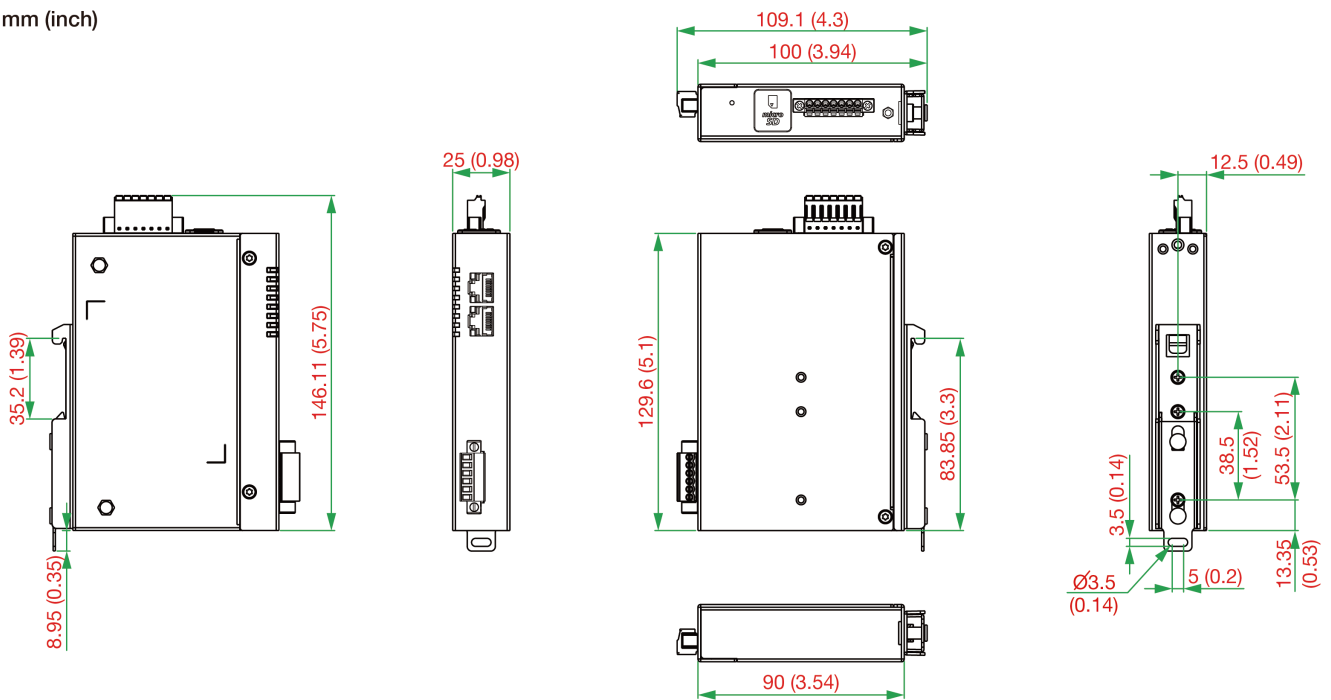
|                 |  |
|-----------------|--|
| Warranty Period | 5 years  |
| Details         | See <a href="http://www.moxa.com/warranty">www.moxa.com/warranty</a> |

### Package Contents

|               |   |
|---------------|---|
| Device        | 1 x MGate 5121 Series gateway                     |
| Documentation | 1 x quick installation guide<br>1 x warranty card |

## Dimensions

Unit: mm (inch)



## Ordering Information

| Model Name   | No. of Serial Ports | Operating Temperature |
|--------------|---------------------|-----------------------|
| MGate 5121   | 1                   | -10 to 60°C           |
| MGate 5121-T | 1                   | -40 to 75°C           |

## Accessories (sold separately)

### Wall-Mounting Kits

|       |   |
|-------|---|
| WK-25 | Wall-mounting kit, 2 plates, 4 screws, 25 x 43 x 2 mm |
|-------|---|

© Moxa Inc. All rights reserved. Updated Jun 28, 2023.

This document and any portion thereof may not be reproduced or used in any manner whatsoever without the express written permission of Moxa Inc. Product specifications subject to change without notice. Visit our website for the most up-to-date product information.