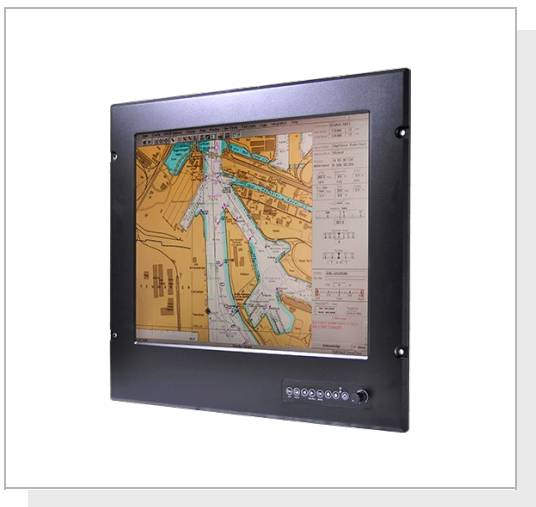


R10L210-MRM2

10.4" Marine Display



KEY FEATURES

- 10.4" 800 x 600 resolution Marine Display
- Resistive touch screen (Optional protection glass w/o touch function)
- IP66 aluminum housing with powder coating design (IP54 rear)
- 24 V DC power supply with terminal block (Default, isolation resistance)
- Picture-in-picture (PIP) function and multi-video inputs
- Ease-of-use front panel OSD control
- Enhanced shock and vibration resistance
- Certified DNVGL-CG-0339, IEC60945 4th, IACS E10
- Dimming knob to control backlight brightness from nearly 0% to 100%

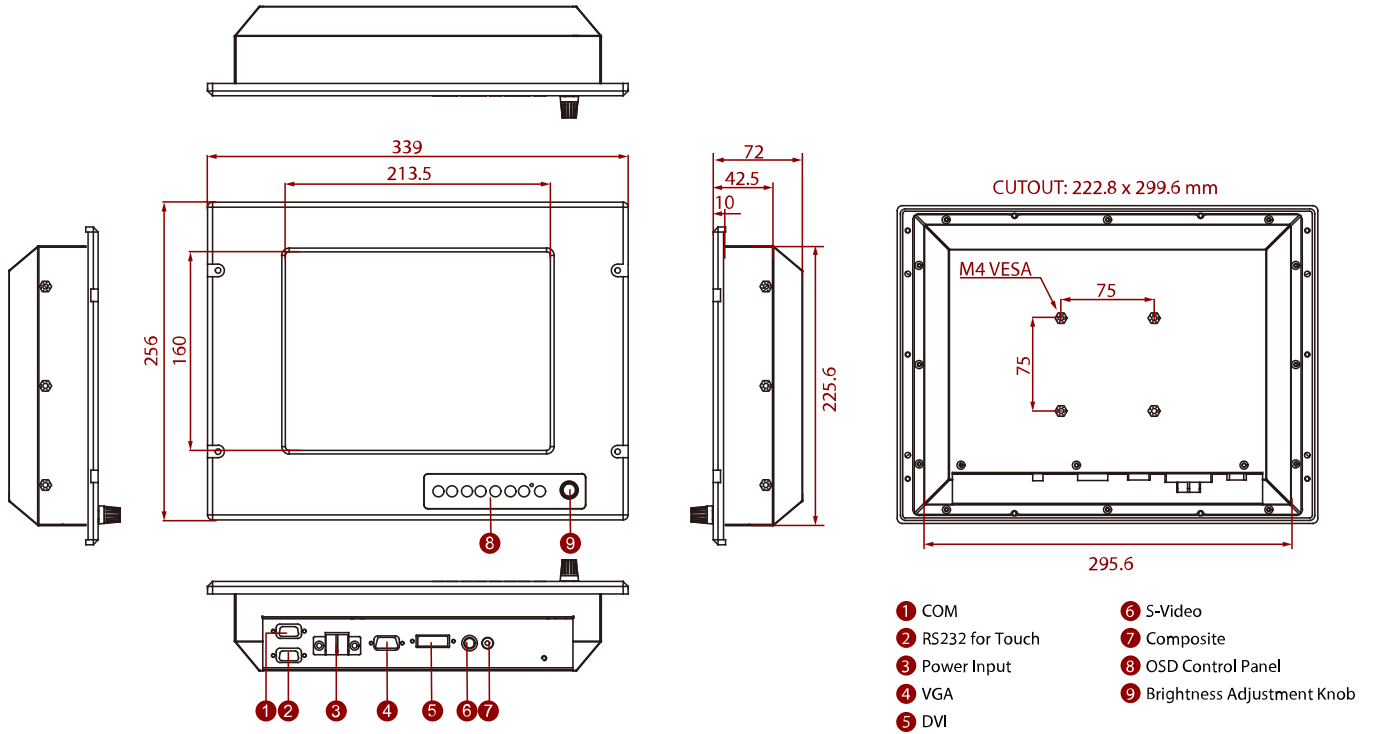


SPECIFICATIONS

Display			
Resolution	800x600	Size	10.4 inches
Contrast Ratio	400:1	Panel Brightness	600 nits
Display Color	262K Colors	View Angles	70,70,70,60
Active Area	211.2x158.4 mm	Touch / Glass	Resistive Touch Screen AR Glass (Optional)
Environment			
Operating Humidity	5% to 95%	Operating Temperature	-15~55°C
Shock	15G, 11ms duration	Vibration	0.7g@DNVGL CG-0339 (Class A)
IP rating	IP66 (Front Side)		
Certification			
Certification	DNVGL-CG-0339, IEC60945 4th, IACS E10, CE, FCC		
IO Ports			
Serial Port	1 x RS232 for Remote Control 1 x RS232/USB for Touch Screen	Video	1 x VGA 1 x DVI-D 1 x Composite 1 x S-Video
Mechanical			
Dimension	339 x 256 x 72 mm	Weight	3.7 kg
Mounting	VESA Mount/ Panel Mount	Enclosure	Metal Housing with Aluminum Bezel
Cooling System	Fanless Design	Cut out	300 x 232 mm
Power			
Power Rating	24V DC-in with Isolation (Approval by Certificate) 9~36V DC Input Acceptable	Consumption	25W (Typical)
Accessory			
Accessory	1 x User Manual. 1 x CD for Touchscreen Driver Tools.		

- 1 x DVI Cable.
- 1 x VGA Cable.
- 1 x RS232 Serial Cable.
- 1 x S-Video Cable.
- 1 x Composite Cable.

DIMENSIONS UNIT:MM



NOTE

1. This is a simplified drawing and some components are not marked in detail.
2. Please contact our sales representative if you need further product information.
3. All specifications are subject to change without prior notice.
4. The product shown in this datasheet is a standard model. For diagrams that contain customized or optional I/O, please contact the Winmate Sales Team for more information.