

TPC-DCS170A1

17.0" SXGA Intel J3455 Pcap. Panel PC

Version: 3.0



Features

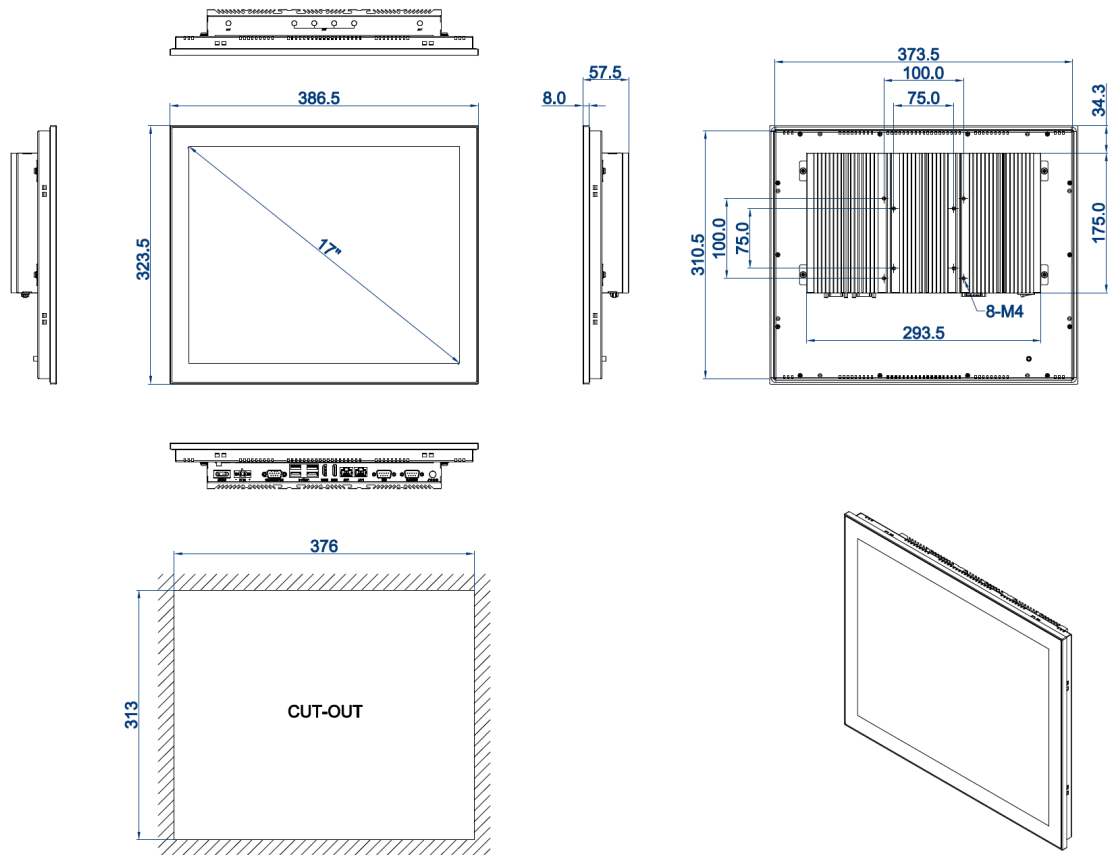
- 17.0" TFT LCD display, 4:3, LED Backlit, SXGA 1280 *1024;
- Intel Apollo Lake J3455 processor, Quad-core 1.5Ghz;
- Multi-points (Max. up to 10 points) Projective capacitive touch, EETI controller;
- Aluminum-magnesium alloy, anodized treatment, Modular designed;
- DC 12V, optional wide voltage DC 9~36V power input;
- IO: 2*GLAN, 4*USB3.0, 3*COM (DB9), 2*HDMI;
- Intel PTT TPM2.0, Support Windows 11 OS;
- Fan-less & Slim design, Panel mount, VESA, Front IP65 protection.

Specification

| | | |
|----------------------------------|-----------------------|---|
| Hardware & System | BIOS | SPI AMI EEI BIOS |
| | CPU | Intel Apollo Lake J3455, Quad-core 1.5Ghz, burst to 2.3Ghz |
| | Memory | SO-DIMM, Support DDR3L 1333/1600/1866 MHz, Max. up to 8GB |
| | Storage | 1* M.2 (SATA) + 1* 2.5" SATA |
| | Graphic | Intel HD Graphics 500 |
| | Network | 2* Intel I211 GBE LAN chip (Optional wireless 3G/4G, 5G, Wi-Fi/BT, Wi-Fi 6) |
| | Audio | On-board Realtek ACL 662 audio controller |
| | Expansion | 1* M.2 Key-B slot, 1* M.2 Key-E slot |
| | Watch dog | 0~256 seconds programmable |
| | OS | Win10, Win11, Linux, Ubuntu |
| IO interface | COM | 3*RS232 (Default), Optional 1* RS485 or 8*GPIO |
| | Ethernet | 2* RJ45, 10/100/1000 Mbps |
| | Audio | Optional Line-out |
| | USB | 4x USB3.0 |
| | Display | 2x HDMI |
| | Power | 1x 2 pins, phenix terminal |
| LCD Display | Size/Type | 17.0" TFT LCD |
| | Resolution | 1280 * 1024 (SXGA) |
| | Brightness | 250 nits |
| | Backlit & MTBF | LED backlit & 30 000hours |
| | Display area | 337.92 * 270.34 |
| | View angle | 85/85/85/85 |
| Touchscreen | Type | Projective capacitive touchscreen |
| | Touch points | Multi points touch, max. up to 10 points |
| | Durability | >100 000 000 times |
| | Surface hardness | Mohs 6H |
| | Special treatment | Anti-fingerprint (AF) |
| Structure | Structure and surface | Magnesium-Aluminum alloy, sand blasting, anodized treatment |
| | Mount method | Panel mount, VESA 75/100 |
| | Cooling system | Large area finned heat sink |
| | Overall dimension | 386.5 * 323.5 * 57.5 (mm) |
| | Cut-out dimension | 376 * 313 (mm) |
| | Net weight | 4.7 KG |
| | IP protection | Front Panel IP65 |
| Power & Environmental | Operating temp. | 0 ~ +50°C |
| | Storage temp. | -20 ~ +60°C |
| | Relative Humidity | 10 ~ 95% @ 10C (Non-condensation) |
| | Vibration | 50 ~ 500 Hz, 1.5G, 0.15mm peak to peak |
| | Shock | 10G/Peak (11 ms) |
| | Power input | DC 12V (Optional DC 9~36V) |
| | Power consumption | Around 35W |
| | EMC | CE/FCC Class A |

DIMENSIONAL DRAWING:TPC-DCS170

Dimension



DIMENSIONS IN MILLIMETERS

TAICEN
DATE:2022.01.27
REV:A Unit:mm

Ordering info.

| Part no. | Description |
|------------------|---|
| TPC-DCS170A1 | 17.0", 1280 * 1024, Intel J3455, Quad-core 1.5Ghz, Pcap. touch, 2*GLAN, 4*USB3.0, 3*COM, 2*HDMI, DC 12V, PSU |
| TPC-DCS170A1W | 17.0", 1280 * 1024, Intel J3455, Quad-core 1.5Ghz, Pcap. touch, 2*GLAN, 4*USB3.0, 3*COM, 2*HDMI, DC 9~36V, No PSU by default |
| Memory | SO-DIMM, DDR3L, 4GB/8GB Memory |
| Storage | M.2 SSD: 128GB/256GB/512GB 2.5" SATA SSD: 64GB/128GB/256GB/512GB/1TB 2.5" HDD: 2TB/4TB |
| Wireless Modules | Wi-Fi module, with Antenna (M.2 interface) Wi-Fi with BT integrated module, with Antenna (M.2 interface) All network 4G/LTE module, With Antenna (M.2 interface) 5G module, with Antenna (M.2 interface) |
| Power supply | Optional PSU for TPC-DCS170A1W |
| SIM Card module | Sim card slot for 3G/4G/5G wireless function |

Packing List

- 1x Standard Product
- 1x 60W PSU (Power Supply)
- 1x Power cable & Plug
- 8x Panel mount metal clips