

# APC-PC116-E500

11.6" widescreen Pcap. Touch Panel PC

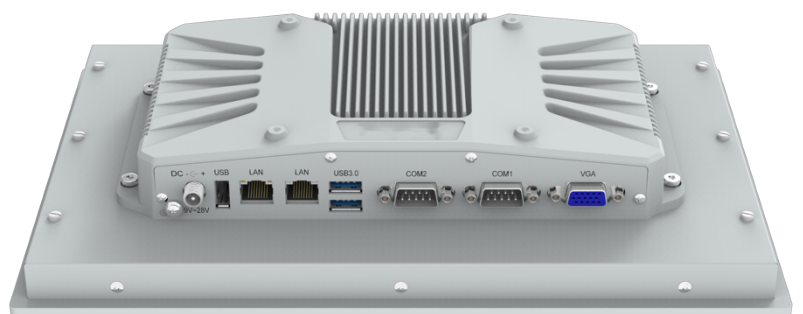
## Specification

V2.0

### Key features:

- Intel Baytrail J1900 Quad-core processor;
- 11.6" TFT LCD, WLED backlit, Resolution 1920 x 1080;
- Multi-points 10 points Pcap. touch;
- Front panel IP65 rating, tempered glass;
- On-board 4GB DDR3 memory;
- 2 GLAN, 5 USB, 2 COM, 1 HDMI, 1 VGA, Mic-in/Line-out;
- Wide voltage input DC 12~28v.

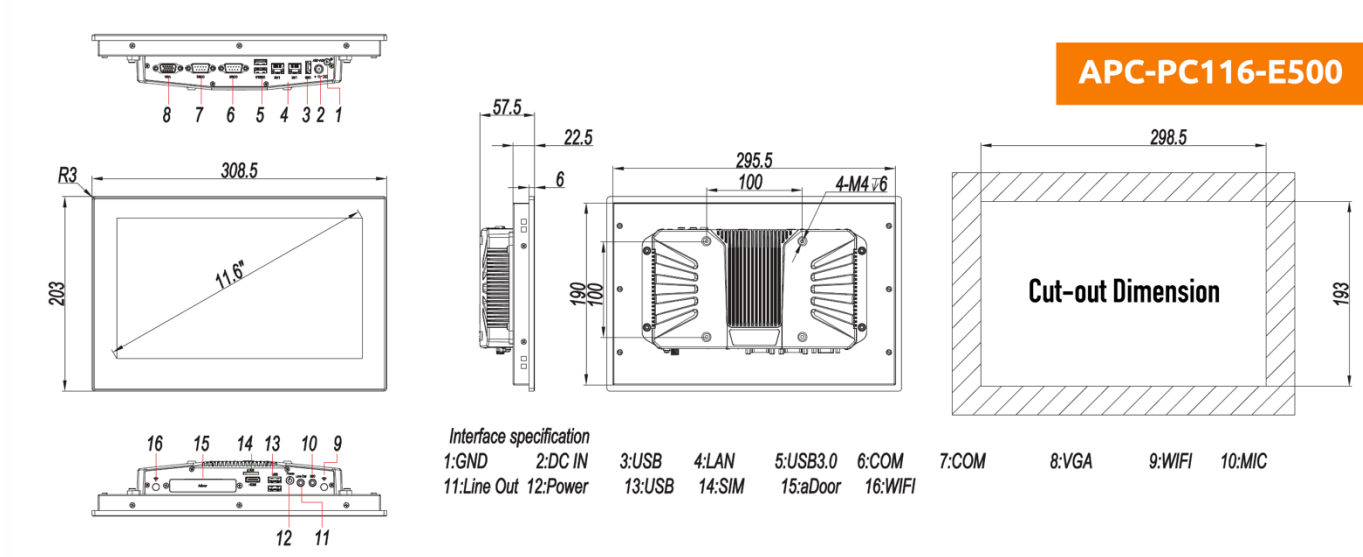
### Product Image



## Technical Data

<b>System</b>	
BIOS	SPI AMI EEI BIOS
CPU	Intel Baytrail J1900 processor, Quad-core 2.0Ghz, burst to 2.42Ghz
Memory	On-board DDR3L 4GB RAM
Network	2* Intel I211AT (Optional 3G/4G/Wi-Fi)
Storage	1* 2.5"SATA + 1*mSATA
Audio	Realtek ACL 662VD controller
Watch dog	Programmable 1~255 seconds
Operating System	Win7, Win8, Win 10, Linux, Unix
<b>I/O</b>	
Network	2x RJ45, 10/100/1000 Mbps
USB	3x USB 3.0 + 2x USB 2.0
COM	2x DB9 RS232 (COM1 support RS485)
Audio	Mic-In, Line-Out
Display	1* HDMI + 1*VGA
Power Input	Coaxial power, 5.5*2.5mm, lockable
<b>LCD</b>	
Size/Type	11.6" SXGA TFT LCD
Resolution	1920* 1080
Brightness	220 (cd/m <sup>2</sup> )
Brightness MTBF	WLED, 10 000 hours
Display area	256.32 x 144.18 mm (H*V)
Viewing angle	89/89/89/89 (Typ.)
<b>TOUCH</b>	
Type	Projective capacitive touch
Touch points	Multi points touch, max. up to 10 points
Durability	>100 000 000 times
Resolution	4096 x 4096
Surface hardness	Mohs 7H
Touch interface	USB
Response time	<5ms
<b>Structure</b>	
Front Panel	Magnesium-aluminum alloy, Anodizing treatment
Color	Light grey + Black
Mounting	Panel mounting, VESA100
Hole dimension	298.5 x 193 mm (W*H)
Product Dimension	308.5 x 203 x 57.5 mm (W*H*D)
Net weight	3.31 KG
<b>Power and Environmental</b>	
Voltage Input	DC 12~28V (Over-current, Over-voltage and reverse polarity protection)
Power Consumption	About 30 W
Working temperature	0°C~+50 °C
Storage temperature	-20°C~+60 °C
Relative humidity	10~95%@10°C ( No condensation )
Vibration	50~500Hz, 1.5G, 0.15mm peak to peak
Shock	10G/peak ( 11ms sec )

## Dimension & Interface



## Ordering Information

Part no.	Description
APC-PC116-E500-xxxx	Intel Baytrail J1900 processors, 4G memory, 2*GLAN, 5*USB, 2*COM, 1*HDMI, 1*VGA, DC 12~28V, PSU
Storage	SSD: 32GB/64GB/128GB/256GB/512GB HDD: 1TB/2TB
Wireless expansion	Wifi: 802.11b/g/n Mini PCIe 150M 3G/4G: All network 4G module
aDoor modules	