

OPTICAL NETWORK VIDEO TECHNOLOGIES (SHENZHEN) CO.,
LTD.

Product Datasheet

6-Port Full Gigabit POE Switch

(ONV-POE33064P)



OVERVIEW

The ONV-POE33064P series is a unmanaged PoE switch independently developed by ONV. with 4*10/100/1000M POE ports+2*10/100/1000M uplink RJ45 ports. 1-4 ports support IEEE 802.3af/at standard PoE power supply. single port PoE power reaches 30W, and the maximum PoE output power of the whole machine is 65W (at-110W). As a PoE power supply device, it can automatically detect and recognize the power receiving equipment that meets the standard and supply power through the network cable. It can supply power to POE terminal equipment such as wireless AP, webcam, VoIP, visual intelligent building intercom through network cable, and meet the network environment that needs high-density PoE power supply. It is suitable for hotel, campus, factory dormitory and small and medium-sized enterprises.

FEATURE

■ Full Gigabit port ,High Performance

- ◇ All series supports "full gigabit Ethernet port " combination, which enables users to flexibly build networking to meet the needs of various scenarios.
- ◇ Support non-blocking wire speed forwarding .
- ◇ Support full duplex based on IEEE802.3x and half duplex based on backpressure .

■ Intelligent PoE Power Supply function

- ◇ 4*10/100/1000 Base-T RJ45 ports support PoE power supply to meet the needs of PoE power supply in security monitoring, teleconferencing systems, and wireless coverage.
- ◇ Conforms to the IEEE 802.3af/at PoE power supply standard, automatically recognizes PoE devices for power supply, without damaging non-POE devices. The maximum POE output power of the entire device reaches 65 W(at-110W), and the maximum POE output power of a single port is 30 W.
- ◇ The PoE port supports the priority mechanism. When the remaining power is insufficient, the power supply of the high-priority port is preferentially guaranteed to prevent the device from being overloaded.

■ Easy to operate

- ◇ Plug and play, no configuration, simple and convenient.
- ◇ The user can easily understand the working status of the device through the power indicator (PWR), port status indicator (Link/Act), and POE operation indicator.

■ The Equipment Is Stable And Reliable

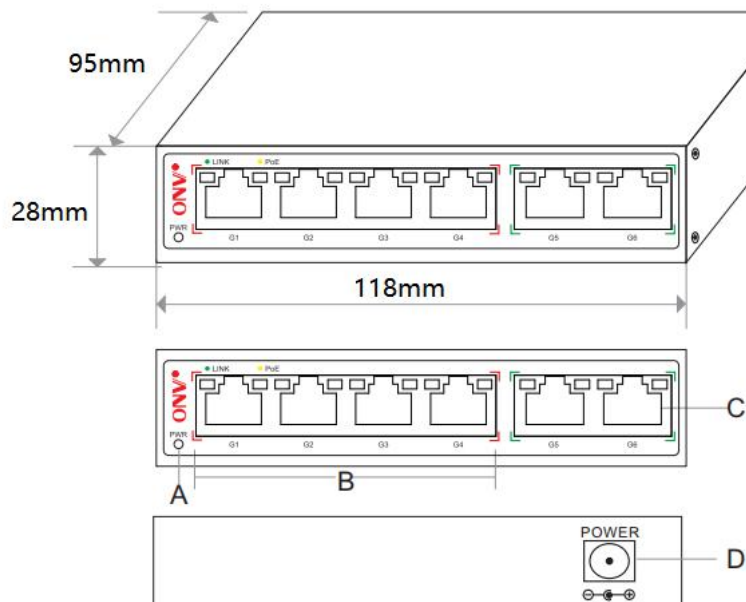
- ◇ The host has low power consumption, no fan mute design, aluminum alloy metal shell, excellent heat dissipation, and ensure stable operation of products.
- ◇ The equipment fully meets the requirements of CE, FCC and RoHS safety regulations, and is safe and reliable.
- ◇ ONV self-developed power supply, high redundancy design, provides long-term stable PoE power output.

TECHNICAL SPECIFICATION

| Model | ONV-POE33064P | ONV-POE33064P-at |
|-----------------------------|--|--|
| Interface | 4*10/100/1000 POE port (Data/Power) 2*10/100/1000M uplink RJ45 port (Data) | |
| POE port | Port1-4 support POE @ IEEE802.3af/at | |
| Network Protocol | IEEE802.3 10BASE-T; IEEE802.3i 10Base-T; IEEE802.3u 100Base-TX IEEE802.3ab 1000Base-T IEEE802.3x | |
| PoE Standard | IEEE802.3af/at | |
| Ethernet Port Feature | 10/100/1000 BaseT(X),auto-sensing,full/half duplex MDI/MDI-X self-adaption | |
| Forwarding Mode | Store and Forward(Full Wire Speed) | |
| Switching Capacity | 12Gbps (Non-blocking) | |
| Forwarding Rate@64byte | 8.93Mpps | |
| MAC Address Table | 8K | |
| Buffer Memory | 2M | |
| Twisted Pair Transmission | 10BASE-T:Cat3,4,5 UTP(≤100 meter); 100BASE-TX: Cat5 or later UTP(≤100 meter) ; 1000BASE-T:Cat5e or later UTP(≤100 meter) | |
| Power Supply Pin | Default: 1/2(+),3/6(-); Optional: 4/5(+),7/8(-) | |
| Max /Average Power Per Port | 30W/15.4W | 30W/30W |
| Total PWR / Input Voltage | 65W (AC100-240V) | 110W (AC100-240V) |
| Power Consumption | Standby:<5W; Full Load:<65W | Standby:<6W; Full Load:<110W |
| LED | Power Indicator: PWR (Green);Data indicator: Link/Act (yellow); POE indicator: PoE (green) | |
| Power Supply | External power supply AC: 100~240V 50-60Hz | External power supply AC: 100~240V 50-60Hz |
| Operation TEMP / Humidity | -20~+55°C; 5%~90% RH Non-condensing | |
| Storage TEMP / | -40~+75°C; 5%~95% RH Non-condensing | http://www.onvcom.com +86 0755 33376606 |

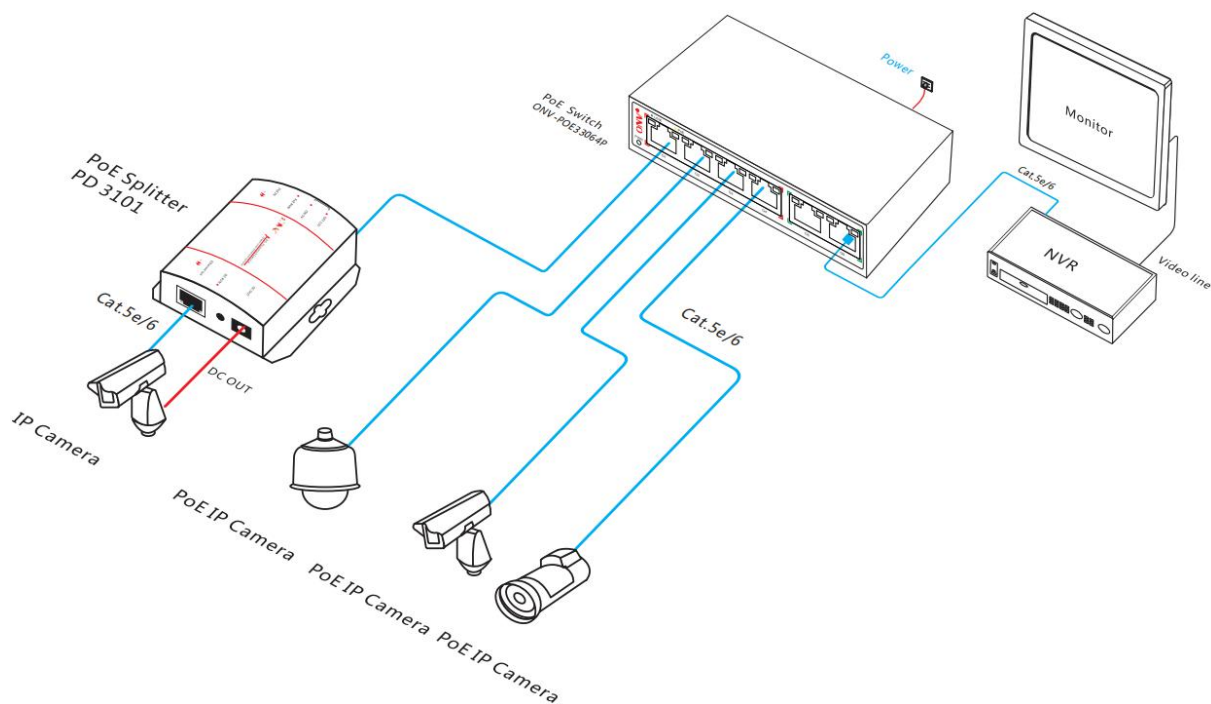
| | |
|--|---|
| Humidity | |
| Dimension(L*W*H) | 118*95*28mm |
| Net /Gross Weight | <0.35kg /<1.0kg |
| Installation Method | desktop type.Wall mounting |
| Port lightning protection / protection level | Port lightning protection : 4KV 8/20us; Protection level: IP30 |
| Certification | CE mark, commercial; CE/LVD EN60950; FCC Part 15 Class B; RoHS; |
| Warranty | 1 year for PoE switch (2 years for power supply), lifelong maintenance. |

DIMENSION



- A. Working indicator B. 4*10/100/1000M PoE ports
 C. 2*10/100/1000M RJ45 ports D. DC power input port

APPLICATION



PACKING LIST

| | CONTENT | QTY | UNIT |
|--------------|--|-----|------|
| PACKING LIST | 6-port full gigabit PoE switch (ONV-POE33064P) | 1 | SET |
| | AC power cable+power adapter | 1 | SET |
| | Mounting kits | 1 | SET |
| | User guide | 1 | PC |
| | Warranty card | 1 | PC |

ORDERING INFORMATION

| Model | Description |
|------------------|---|
| ONV-POE33064P | Unmanaged 4*10/100/1000M PoE port+2*10/100/1000M Uplink RJ45 ports ,PoE switch,1-4 ports support IEEE 802.3af/at PoE standard, the total power is 65W . External power supply. |
| ONV-POE33064P-at | Unmanaged 4*10/100/1000M PoE port+2*10/100/1000M Uplink RJ45 ports ,PoE switch,1-4 ports support IEEE 802.3af/at PoE standard, the total power is 110W . External power supply. |

SELECTION OF INFORMATION

Fiber Module Selection Table

| Product | Model | Description | Unit |
|--------------------------|---------------|--|------|
| 1.25G Fiber Module | ONV-2630 | SFP optical module, 1.25G, multi mode dual fiber 850nm, transmission distance: 550m, LC interface, support DDM function, support hot plug and pull. | PC |
| | ONV-2632 | SFP optical module, 1.25G, single-mode dual fiber 1310nm, transmission distance: 20km, LC interface, support DDM function, support hot plug and pull. | PC |
| | ONV-2612-T | SFP optical module, 1.25G, single-mode single fiber TX1310nm/RX1550nm, transmission distance: 20km, LC interface, support DDM function, support hot plug and pull. | PC |
| | ONV-2613-R | SFP optical module, 1.25G, single-mode single fiber TX1550nm/RX1310nm, transmission distance: 20km, LC interface, support DDM function, support hot plug and pull. | PC |
| | ONV-2612-T-SC | SFP optical module, 1.25G, single-mode single fiber TX1310nm/RX1550nm, transmission distance: 20km, SC interface, support DDM function, support hot plug and pull. | PC |
| | ONV-2613-R-SC | SFP optical module, 1.25G, single-mode single fiber TX1550nm/RX1310nm, transmission distance: 20km, SC interface, support DDM function, support hot plug and pull. | PC |
| Electric Module | ONV-2633 | 1.25G SFP optical module transfers to 10/100/1000M RJ45 net port. | PC |

CONTACT US



OPTICAL NETWORK VIDEO TECHNOLOGIES (SHENZHEN) CO., LTD.

Tel: 0086-755-33376606

Fax: 0086-755-33376608

Email: onv@onv.com.cn

Website: www.onvcom.com

Zip: 518000

Headquarter Address: Room 1003, Block D, Terra Building, Futian district, Shenzhen, China

Factory Address: The 4-6th Floor, No. 59, HuaNing Road, Xinwei Community, Dalang Street, Longhua District, Shenzhen, China

