

# INP3XXT 3IN1 Series

Industrial DIN-Rail Serial Device Server

2/4-port RS-232/485/422 + 2 10/100Base-T(X) Ethernet Ports

## Features

- Supports 2/4 RS-232/485/422 serial ports optional
- Supports 2 10/100Base-T(X) self-adaptive Ethernet ports with dual IP addresses and MAC addresses
- Supports 300bps~921600bps non-blocking communication
- Supports TCP, UDP, ARP, ICMP, HTTP, DNS and DHCP protocols
- Supports TCP Server, TCP Client, UDP Server, UDP Client, UDP Multicast, UDP Rang, Pair Slave, Pair Master and Real Com working mode
- Supports cross-gateway and cross-router communication
- Supports the polling mode and FIFO function
- Supports delimiter matching communication
- Compatible with a variety of virtual serial port management software
- Supports for standard TCP/IP SOCKET application access
- Supports Windows serial driver mode
- Supports virtual serial COM port access
- Supports network interruption automatic recovery
- Provides easy-to-use, configurable Windows configuration tools for bulk installation
- Supports WEB and serial port and other forms of configuration
- Low power consumption design, IP40 protection grade
- Metal shell, DIN-Rail mounting
- Working temperature is -40~75℃, storage temperature is -40~85℃



## Introduction

INP3XXT 3IN1 series are the serial device servers that enable the serial device to have networking capabilities immediately. They support 2/4 RS-232/485/422 serial port and 2 10/100Base-T(X) Ethernet ports. They can easily and centrally manage distributed serial devices and hosts through the network; they support TCP, UDP, ARP, ICMP, HTTP, DNS and DHCP protocols. They also support virtual serial port driver access and network interrupts automatic recovery connection.

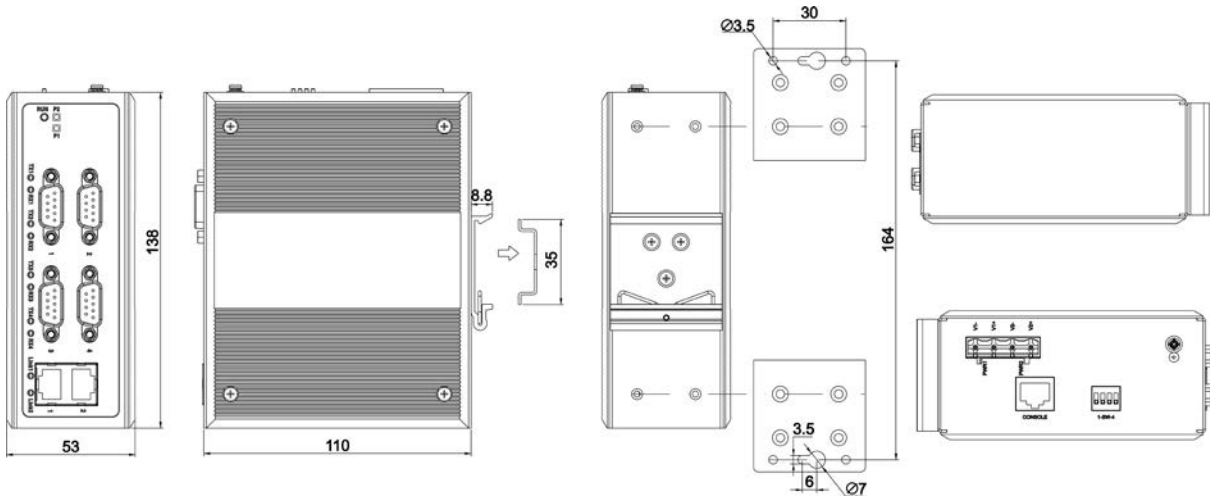
INP3XXT 3IN1 series provide a powerful Windows platform-based management configuration tool and WEB management interface, which can guide the user to manage the device step by step. All the devices can be configured through the network or Console port, and they support gateway, cross-routing communication, user-friendly IP Address, Server and Client mode, packet size, and so on. Through a simple set of serial devices can be achieved immediately network.

This series of products have high EMC protection capability. Power supply has overvoltage protection and can operate in harsh and dangerous environment. The shape design supports DIN-Rail mounting, which is convenient for engineering usage.

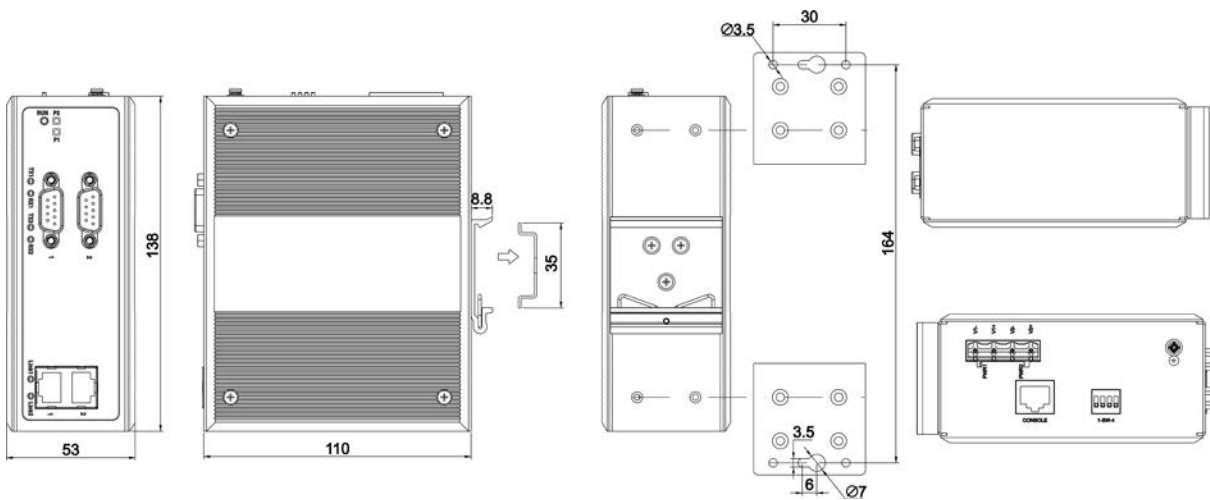
## Dimension

Unit: mm

- INP314T-4D(3IN1)-DB-2P(12-48VDC), INP314T-4DI(3IN1)-DB-2P(12-48VDC)



➤ **INP312T-2D(3IN1)-DB-2P(12-48VDC)、INP312T-2DI(3IN1)-DB-2P(12-48VDC)**



**Specification**

**Ethernet interface**

Standard: 10Base-T, 100Base-TX  
 Protocol: Supports TCP, UDP, ARP, ICMP and DHCP  
 Signal: Rx+, Rx-, Tx+, Tx-  
 Speed: 10/100Mbps  
 Working: Full-duplex and half duplex  
 Working mode: TCP Server, TCP Client, UDP Server, UDP Client, UDP Multicast, UDP Rang, Pair Slave, Pair master and Real Com working mode

Interface form: RJ45

**Serial interface**

Serial port: RS-232/485/422  
 RS-232 signal (with isolation): RTS, GND, TXD  
 RS-232 signal (without isolation): DSR, RTS, GND, RXD, TXD, DCD, CTS, DTR

RS-485 signal: D+, D-, GND

RS-422 signal: T+, T-, R+, R-, GND

Parity bit: None, Even, Odd, Space, Mark

Data bit: 7bit, 8bit

Stop bit: 1bit, 2bit

Baud rate: 300bps ~ 921600bps

Direction control: RS-485 adopts data flow automatic control technology

Load capacity: support 32 point polling environment (customizable 128 points)

Intensity of electromagnetic isolation: 2KV

**Interface**

100M copper port: 10/100Base-T(X) self-adaptive RJ45 port

RS-232/485/422 serial port: DB9 male

**Transfer distance**

Ethernet port: 100m (Standard CAT5/CAT5e cable)

RS-232 serial port transfer distance: 15m

RS-485/422 serial port transfer distance: 1200m

**LED indicator**

Run indicator: RUN

Power supply indicator: P1/P2  
 Ethernet Link/Act indicator: LINK  
 RS-232/485/422 port transmit data indicator: TX  
 RS-232/485/422 port receive data indicator: RX

**Power supply**

Input Voltage: 12~48VDC

**Consumption**

No-load consumption: 2.59W@48VDC  
 Full-load consumption: 2.93W@48VDC

**Mechanical Structure**

Shell: IP40 protection grade, metal shell  
 Installation: DIN-Rail mounting, wall mounting  
 Weight: maximum 640g  
 Size (LxWxH): 138mmx110mmx53mm

**Working environment**

Working temperature: -40~75°C  
 Storage temperature: -40~85°C  
 Relative Humidity: 5%~95% (no condensation)

**Industry Standard**

EMI: FCC Part 15, CISPR (EN55022) class A  
 EMS :

IEC 61000-4-2 (ESD), Level 3

- Contact: 6 kV
- Air: 8 kV

IEC 61000-4-4 (EFT), Level 3

- Power: 2 kV
- Signal: 1 kV

IEC 61000-4-5 (Surge), Level 3

- Power: common mode 2 kV  
 different mode 1 kV
- Signal: common mode 2 kV  
 different mode 1 kV

Shock: IEC 60068-2-27

Free fall: IEC 60068-2-32

Vibration: IEC 60068-2-6

**Warranty:** 3 years

**Certification**

CE, FCC, RoHS, UL508 (Pending)

See the newest products certification information on 3onedata website

**Ordering Information**

Available Models	Port Interface			Power Supply
Standard Models	RS-232/485/422	RS-232/485/422 serial port (with isolation)	10/100Base-T(X)	12~48VDC
INP314T-4D(3IN1)-DB	4	/	2	
INP314T-4DI(3IN1)-DB	/	4	2	
INP312T-2D(3IN1)-DB	2	/	2	
INP312T-2DI(3IN1)-DB	/	2	2	

**Optional Accessories**

Product Types	Product Number	Description
24mm pegboard (Left)	223-0042	Suits for wall mounting (Non-standard)
24mm pegboard (Right)	223-0043	Suits for wall mounting (Non-standard)