



# UA-5200 Series Quick Start

English / v1.1 / Oct. 2017

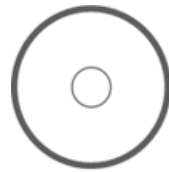
## 1

### What's in the box?

In addition to this guide, the package includes the following items:



UA-5231 or  
UA-5231M



Software  
Utility CD



CA-0910  
Cable



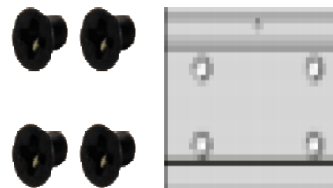
MicroSD  
Card



Screw  
Driver



Pin Terminal  
x 16



(UA-5231M Only)  
M3x6L Screw x 4  
44mm DIN-Rail Clip x 1

## Technical Support

UA-5200 User Manual:

CD:\ua-5000\user\_manual

[http://ftp.icpdas.com/pub/cd/ua-5000/user\\_manual/](http://ftp.icpdas.com/pub/cd/ua-5000/user_manual/)



ICP DAS Website: <http://www.icpdas.com>

Technical Support E-Mail: [service@icpdas.com](mailto:service@icpdas.com)

# 2

## Preparations for Devices

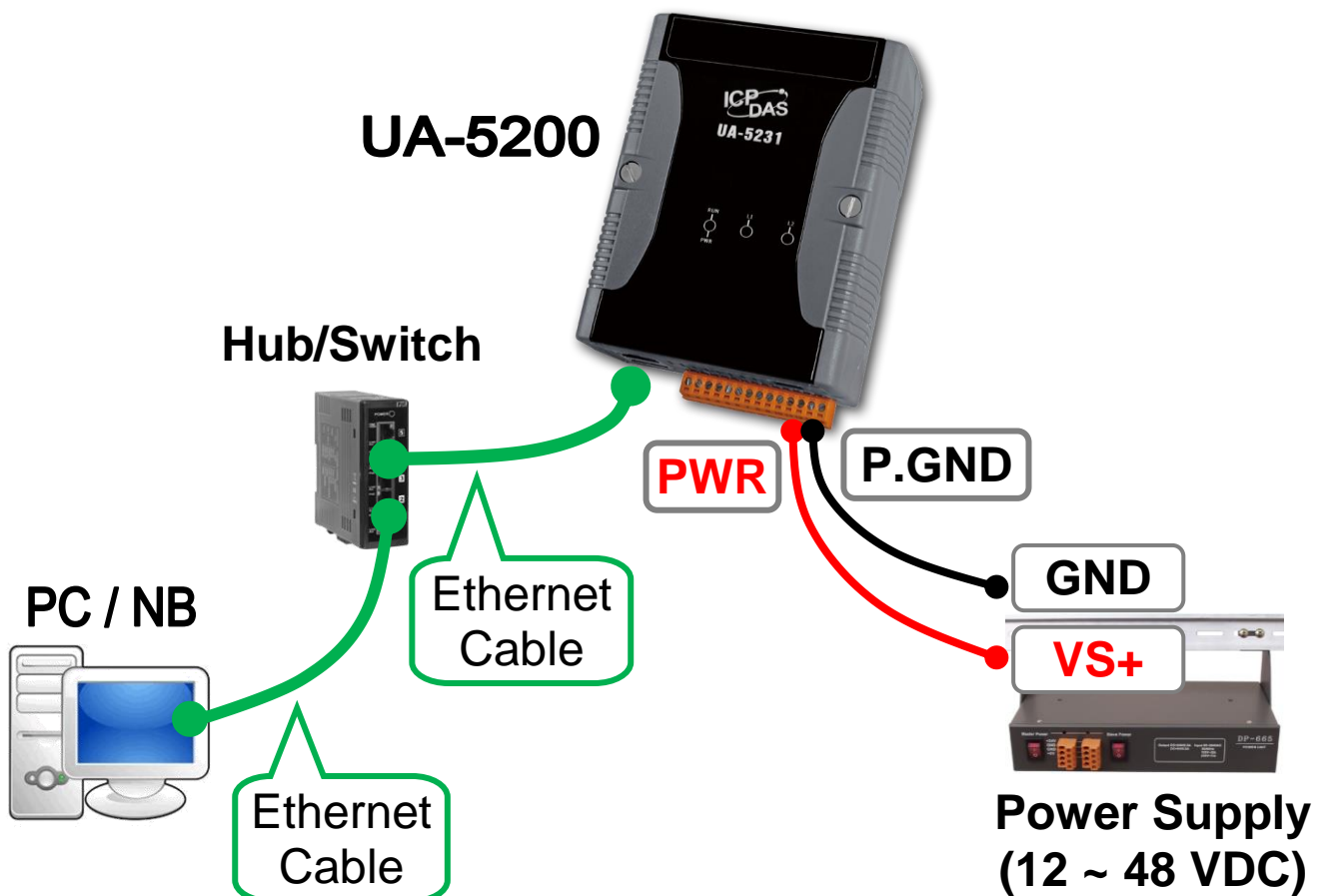
1. Power Supply: +12 ~ +48 VDC (Ex: DP-665)
2. Ethernet Hub or Switch (Ex: NS-205)
3. PC/NB: Can connect to the network and set the network

# 3

## Hardware Connection

Connect the UA-5200 with the RJ-45 Ethernet port to an Ethernet hub/switch and PC. You can also link directly the UA-5200 to PC with an Ethernet cable.

After power is connected, please **【wait 1 minute】** for UA-5200 start-up procedure. When the "RUN/PWR" light starts flashing, it represents the boot is complete.



# 4

## Network Connection

Factory Default Settings of UA-5200			
Network	IP	<b>192.168.255.1</b>	Assign UA-5200 a new IP setting according to your case.
	Netmask	<b>255.255.0.0</b>	
	Gateway	<b>192.168.1.1</b>	
OS Account	Username	<b>root</b>	After login, change your password ASAP. (Refer <a href="#">User Manual</a> )
	Password	<b>icpdas</b>	
Web UI Account	Username	<b>root</b>	
	Password	<b>root</b>	

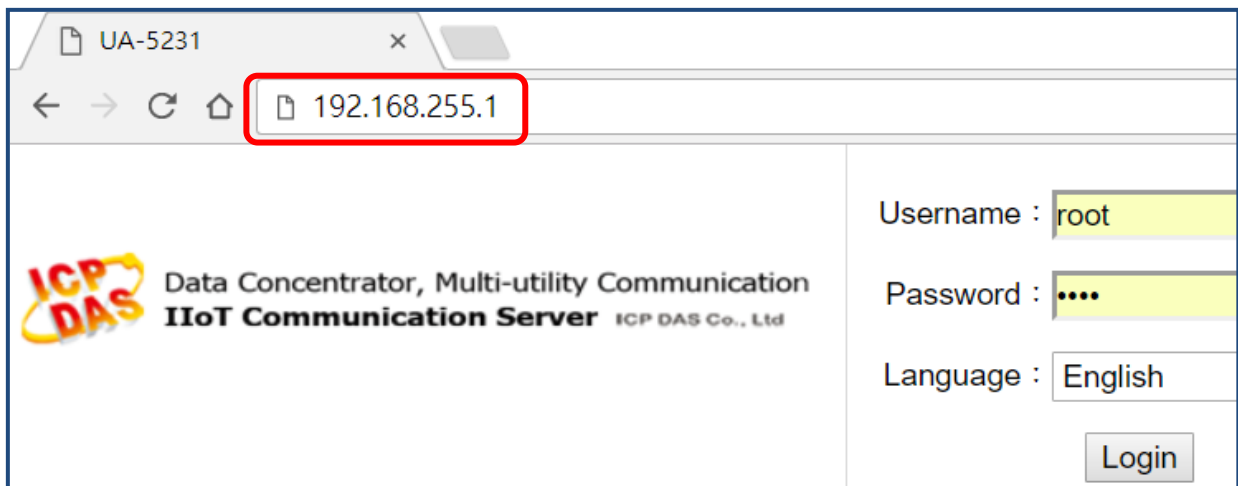
1. Change the **PC's IP** setting as following.

(Write down the PC original network settings before modify.)

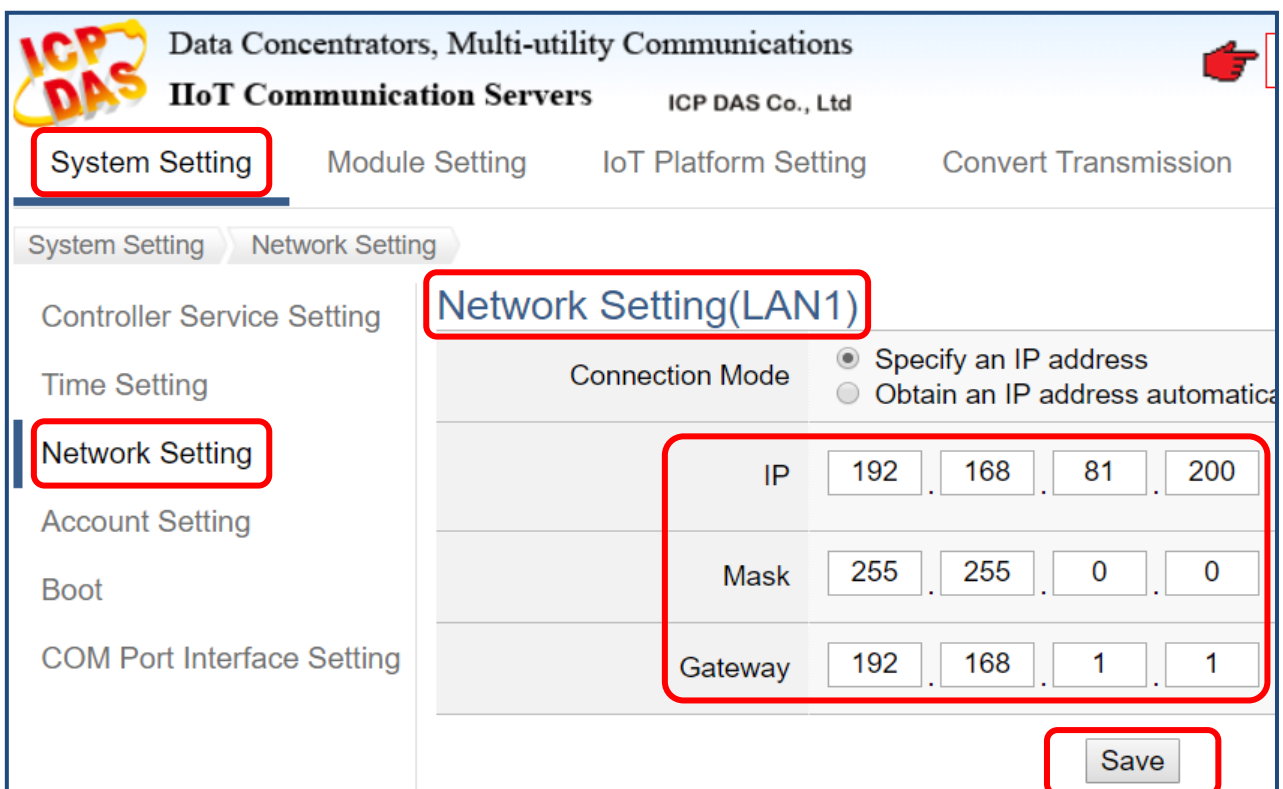
<b>IP</b>	<b>192.168.255.10</b>
<b>Subnet mask</b>	<b>255.255.0.0</b>
<b>Gateway address</b>	<b>192.168.1.1</b>

2. Make sure the PC and UA-5200 is connecting through Ethernet. And then open a PC side browser. (Ex: Chrome, IE...)

3. Type **http://192.168.255.1** in the URL address. Use default Web UI username/password **root/root** to login the system.



4. Click **【 System Setting 】** → **【 Network Setting 】** → **【 Network Setting(LAN1) 】** to change the IP setting by user network.



5. Save the IP setting, restore the PC original IP settings, and type the **new IP** in the browser as step-3 to login the Web UI of UA-5200. And then configure user's UA project.