

VIO-112/PC311P

12.1" XGA Resistive / Capacitive Touch Panel PC with Intel® Core™ i5/i3 or Celeron® Processor, 1x PCI Expansion

FEATURES

- 12.1" TFT XGA 4:3 LCD with Resistive 5-wire / Projected Capacitive Touch
- Intel® Core™ Processor i5-5350U, up to 2.9GHz / i3-5010U, 2.1GHz or Celeron® 3765U, 1.9GHz
- 1x 204-pin DDR3L SODIMM. Max up to 8GB
- 1x 2.5" SATA HDD bay support RAID 0,1, 5, 2x mSATA, 2x SIM socket
- 2x Full-size mini PCIe for communication or expansion modules
- 1x PCI
- 2x LAN, 1x VGA, 1x DisplayPort
- 4x RS-232/422/485, 3x USB 3.0, 1x USB 2.0, Audio, DIO
- 9 to 48VDC wide range power input
- -10°C to 60°C extended operating temperature
- Designed with Aluminum Die-Casting Front Frame
- IP65 Compliant Front Panel
- Two 5W Internal Speakers Built-in
- Multi-language OSD built-in

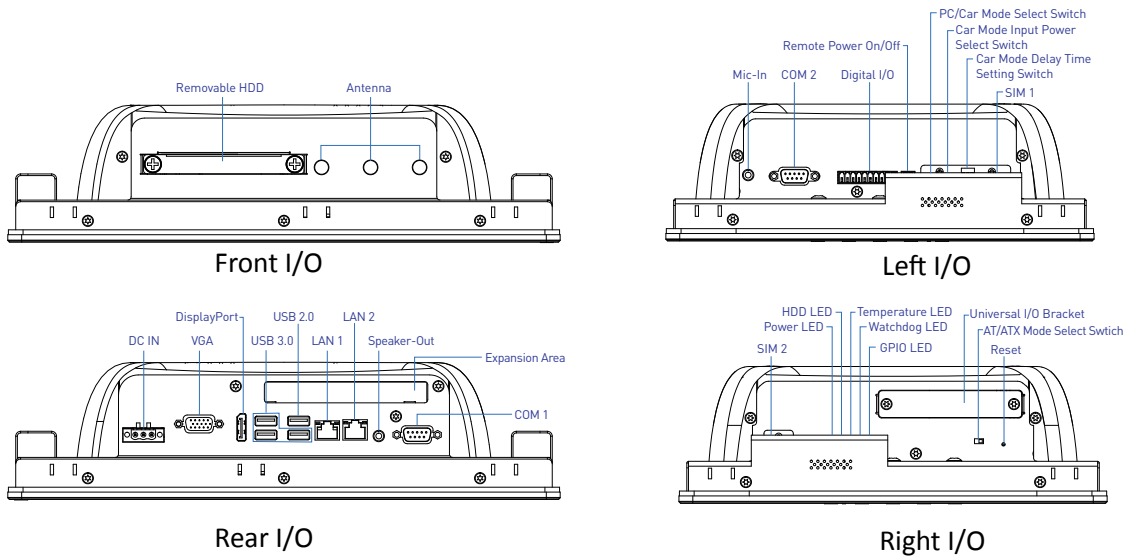


SPECIFICATIONS

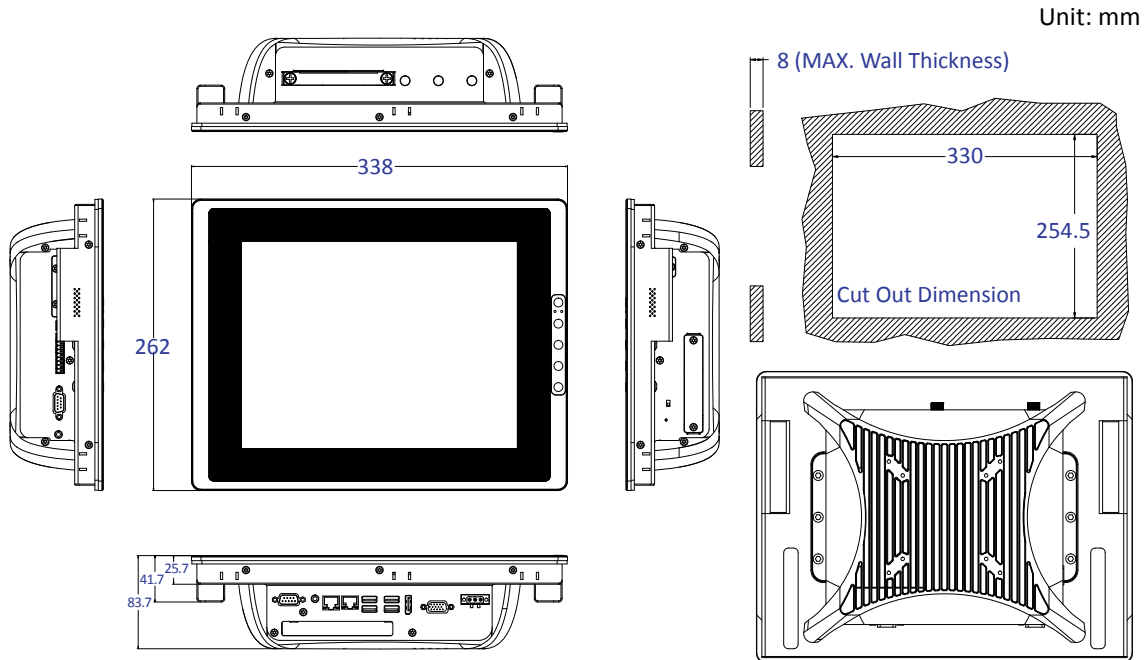
DISPLAY	
LCD Size	12.1" (4:3)
Max. Resolution	1024 x 768 (XGA)
Brightness (cd/m ²)	500
Contrast Ratio	700:1
LCD Color	16.2M
Pixel Pitch (mm)	0.24 (H) x 0.24 (V)
Viewing Angle (H-V)	160 / 160
Backlight MTBF	50000 hrs (LED Backlight)
TOUCH	
Resistive 5-wire	VIO-112R/PC311P Only
Projected Capacitive	VIO-112C/PC311P Only
SYSTEM	
Processor	- 5 th Gen Intel® Core™ i5-5350U Processor, Dual Core, 3MB Cache, up to 2.9 GHz - 5 th Gen Intel® Core™ i3-5010U Processor, Dual Core, 3MB Cache, 2.1 GHz - 5 th Gen Intel® Celeron® Processor 3765U, Dual Core, 2MB Cache, 1.9 GHz
System Chipset	SoC integrated
LAN Chipset	GbE1: Intel® I210-AT (Support Wake-on-LAN and PXE) GbE2: Intel® I218-LM (Support Wake-on-LAN and PXE)
Audio Codec	Realtek ALC888S
System Memory	1x 204-Pin DDR3L 1333/1600MHz SODIMM. Max. up to 8GB
BIOS	AMI 128Mbit SPI BIOS
Watchdog	Software Programmable Supports 1~255 sec. System Reset
STORAGE	
SSD/HDD	1x Removable 2.5" SATA HDD Bay Support RAID 0, 1, 5
mSATA	2x mSATA (Shared by 2x Mini PCIe)
SIM Socket	2x External SIM socket
EXPANSION	
Mini PCI Express	2x Full-size Mini PCIe
PCI	1x PCI
OTHER FEATURES	
Internal Speaker	AMP 5W + 5W

OSD	LCD On/Off, Auto, Menu, Up and Down Multi-language
I/O	
VGA	1x VGA (or 1x DVI-D by Order)
DisplayPort	1x DisplayPort
COM	2x RS-232/422/485 2x RS-232/422/485 (internal)
USB	3x USB 3.0, 1x USB 2.0
LAN	2x RJ45
Audio	1x Mic-in, 1x Speaker-out
DIO	4 in / 4 out (Isolated)
Universal I/O Bracket	1x Universal I/O Bracket (By mini PCIe interface)
Others	3x WiFi Antenna Holes 1x Power Switch, 1x AT/ATX Switch, 1x Remote Power On/Off
OPERATING SYSTEM	
Windows	Windows 10, Windows 8.1, WES8.1, Windows 7, WES7
Linux	Linux kernel 3.X
POWER	
Power Mode	AT, ATX
Power Supply Voltage	9~48VDC
Power Ignition Sensing	Power Ignition Management
Power Connector	3-pin Terminal Block
Power Adaptor	Optional AC/DC 12V/5A, 60W
Power Protection	OVP (Over Voltage Protection) OCP (Over Current Protection) Reverse Protection
ENVIRONMENT	
Operating Temp.	-10°C to 60°C
Storage Temp.	-20°C to 70°C
Relative Humidity	10%~80% (non-condensing)
IP Level	IP 65 Compliant Front Panel
Standards / Certification	CE, FCC Class A
PHYSICAL	
Front Panel Construction	Die-cast Flat Surface
Dimension	338 (W) x 262 (D) x 83.7 (H)mm
Weight	VIO-112R/PC311P: 5.25kg VIO-112C/PC311P: 5.15 kg
Mounting	Panel Mounting Wall / VESA Mounting (Optional)

EXTERNAL I/O MECHANICAL LAYOUT



DIMENSION



AVAILABLE MODELS

MODEL NO.	DESCRIPTION
VIO-112R/PC311P-5350U	12.1" XGA Resistive Touch Panel PC with Intel® i5-5350U Processor, 1x PCI Expansion
VIO-112C/PC311P-5350U	12.1" XGA Capacitive Touch Panel PC with Intel® i5-5350U Processor, 1x PCI Expansion
VIO-112R/PC311P-5010U	12.1" XGA Resistive Touch Panel PC with Intel® i3-5010U Processor, 1x PCI Expansion
VIO-112C/PC311P-5010U	12.1" XGA Capacitive Touch Panel PC with Intel® i3-5010U Processor, 1x PCI Expansion
VIO-112R/PC311P-3765U	12.1" XGA Resistive Touch Panel PC with Intel® Celeron® 3765U Processor, 1x PCI Expansion
VIO-112C/PC311P-3765U	12.1" XGA Capacitive Touch Panel PC with Intel® Celeron® 3765U Processor, 1x PCI Expansion

OPTIONAL ACCESSORIES

MODEL NO.	DESCRIPTION
1-E09A06002	Adapter AC/DC 12V 5A 60W with 3pin Terminal Block Plug 5.0mm Pitch
SFICBL022	Power Cord, 3-pin US Type, 180cm
1-TPCD00002	Power Cord, European Type, 180cm
1-TPCD00001	Power Cord, 3-pin UK Type, 180cm

PACKING LIST

- 1x VIO-112/PC300 Series Panel PC
- 10x Panel Mount Kit
- 1x Utility DVD Driver
- 1x Screw Pack