

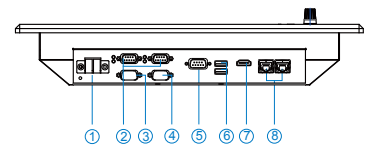
15" Marine Panel PC

Model#: R15IV3S-MRM2

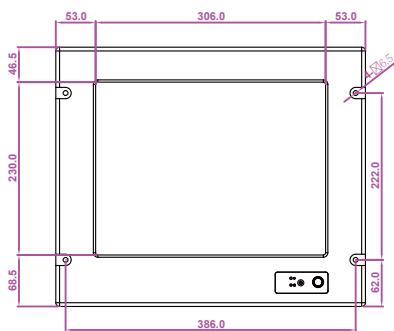


Feature

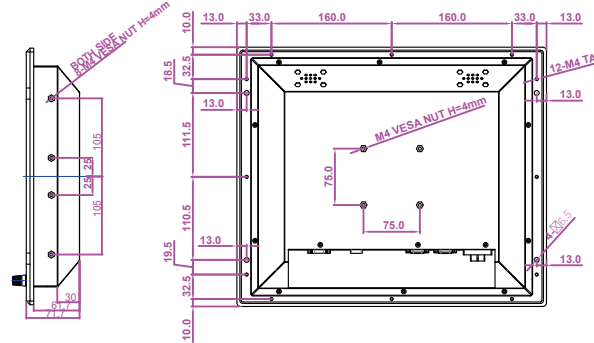
- 15" XGA 1024 x 768 TFT LCD
- Intel® Core i7-3517UE Turbo max 2.8GHz
- 1 x SO-DIMM DDR3 1333/1600 (max 8GB)
- 1 x RS232, 1xRS232/422/485, 2xRS232 or 2xIsolation RS422/485(optional)
- Intel® 82579-LM GbE PHY+Intel WG82574L GbE
- Isolated Power Module



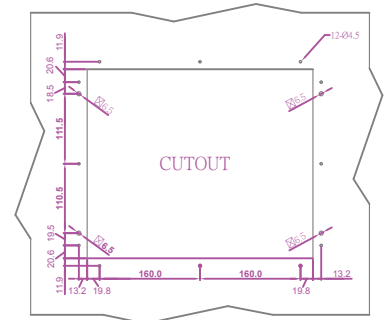
- 1 x 9~36V DC input
- 2 x RS232 or 2 x Isolation RS422/485 (optional)
- 1 x RS232
- 1 x VGA output
- 5 x RS232/422/485
- 2 x USB3.0
- 1 x HDMI
- 2 x RJ45



FRONT VIEW



SIDE VIEW



CUT OUT DIMENSION

* Note: this is a simplified drawing and some components are not marked in detail. *Please contact our sales representative if you need further product information.

TFT Characteristics :

Pixel Number	: 1024 x 768
Pixel Pitch(R&B)	: 0.297 (H) x 0.297 (V) mm
Contrast Ratio	: 700:1(typ.)
Light Intensity	: 400cd/m2 (typ.)
Viewable Angle	: -80 ~ 80(H) ; -60 ~ 80(V)
Active Display Area	: 304 (H) x 228 (V) mm
Max Colors	: 16.2 (M) / 8 bit / colors

Mechanical and Environmental

Mechanical Mounting	: Panel (Flush) mount with IP66*, VESA, Bracket mounting
Operating Temperature	: -15 to 55 deg.C
Operating Humidity	: 5% to 95%(non condensing)
Anti-Vibration	: 5Hz~500Hz / 1Grms / 3 Axis
Anti-Shock	: 15G,11ms duration

SBC Specifications :

Processor	: Intel®Core i7-3517UE 1.7GHz
BIOS	: AMI system BIOS
System Chipset	: Intel®HM76
System Memory	: 1 x SODIMM DDR3 1333/1600(max 8GB)
Ethernet Controller	: Intel®82579-LM GbE PHY + Intel WG82574GbE
Serial	: 1 x RS232 / 422 / 485 3 x RS232 (internal)
USB	: 3 x USB 3.0 (1 x internal) 2 x USB 2.0 (internal)
Storage	: 1 x mSATA 32GB / 2.5" 320GB HDD (option)

Input / Output Connectors

Ethernet LAN	: 2 x RJ45-10/100/1000 Mbps
COM	: 1 x RS232, 1 x RS232/422/485, 2 x RS232 or 2 x Isolation RS422/485 (optional)
USB	: 2 x USB 3.0
Video output	: 1 x HDMI , 1 x VGA
DC Power	: 1 x DC Terminal block

Available Options

Touch Screen Options	: 5 Wire Resistive
AR Safety Glass Options	: 3mm Anti-reflective protection glass
Bracket Stand options	: Yes(One robust bracket can adjust from -10 to 30 deg.)

Power Specifications :

Power Supply Options	: 9 to 36 V DC power supply with Terminal block (Default)
Power Consumption	: 110 W typical, normal operation

Certification and Approvals

- CE, FCC

