

PPC-1500/1700/1900

15"/17"/19" Fanless Multi-touch Bezel-Free Flat Panel PC
with Intel® Braswell SoC Processor, Celeron® N3160



- 15"/17"/19" 10-point PCT multi-touch LCD Display
- Intel® Braswell SoC Processor, Celeron® N3160
- 1x DDR3L SO-DIMM
- 1x DP, 1x HDMI for video output
- 2x GbE LAN for Ethernet
- 4x USB3.0, 4x COM for peripheral connection
- 1x 2.5" SATA HDD / SSD for storage
- 2x mPCIe for expansion
- IP65-rated front design
- Glass hardness of 6H

Product Overview

PPC-1500/1700-1900 is a 15/17/19-inch fanless 10-point PCT multi-touch bezel-free flat panel PC equipped with Intel® Braswell Quad Core Processor, Celeron® N3160. It boasts a friendly multi-touch interface for fast / intuitive and even multi-user operation.

It supports triple-display function with 2 additional video output interfaces: 1x HDMI and 1x DP. In addition to a

variety of I/O ports, it reserves 2 mPCIe slots for wireless connection or possible function expansion.

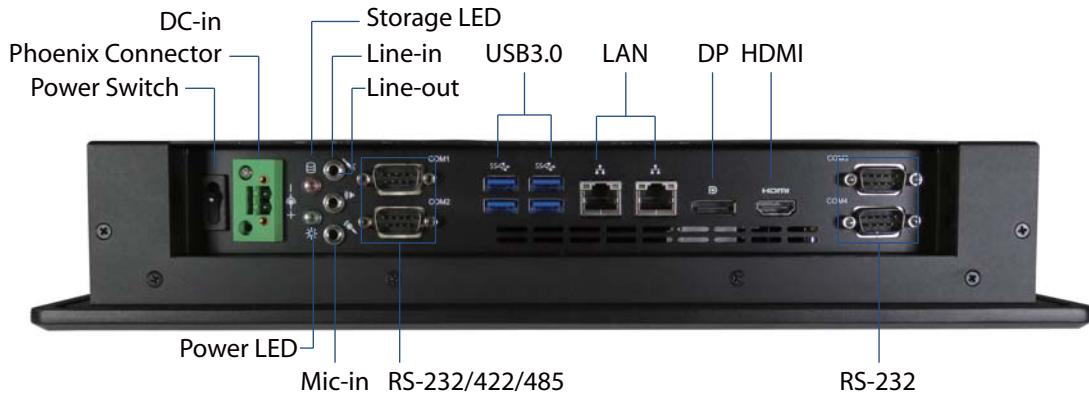
Enclosed in a rugged compact housing as well as IP65-rated front panel design and 6H hardness surface, PPC-1500/1700/1900 provides excellent resistance to for harsh environments. It is therefore highly suited to a wide range of industrial applications.

Technical Information

Processor				
Intel® Celeron® N3160 (Quad Core, 2M Cache, up to 2.24 GHz, FCBGA1170 Socket, 6W TDP)				
Memory				
1x DDR3L 1600 SO-DIMM up to 8GB				
Graphics Controller				
Intel® HD Graphics 400				
LCD Display		PPC-1500	PPC-1700	PPC-1900
Size		15"	17"	19"
Aspect Ratio		4:3	5:4	5:4
Backlight		LED	LED	LED
Resolution		1024 x 768 XGA	1280 x 1024 SXGA	1280 x 1024 SXGA
Brightness (cd/m ² , typical)		350	350	250
Contrast Ratio (typical)		600:1	1000:1	1000:1
Color		16.2M	16.2M	16.7M
Viewing Angle (L, R, H, L)		45°, 45°, 20°, 45°	85°, 85°, 80°, 80°	85°, 85°, 80°, 80°
Touch		10-point PCT	10-point PCT	10-point PCT
Display Interfaces				
1x HDMI (on rear, 2560 x 1600 @ 60Hz)				
1x DP (on rear, 3840 x 2160 @ 30Hz / 2560 x 1600 @ 60Hz)				
Multiple Display				
Triple				
Audio Chipset				
Realtek ALC662				
Audio Interfaces				
1x Line-in (on rear)				
1x Line-out (on rear)				
1x Mic-in (on rear)				
Ethernet				
2x GbE LAN (RJ-45 on rear, Intel® I210-AT)				
USB				
4x USB3.0 (Type A on rear)				
Serial Ports				
2x RS-232/422/485 (DB9 on rear)				
2x RS-232 (DB9 on rear)				
Storage & Expansion				
1x 2.5" SATA HDD / SSD				
2x mPCIe (1x full size, 1x half size)				

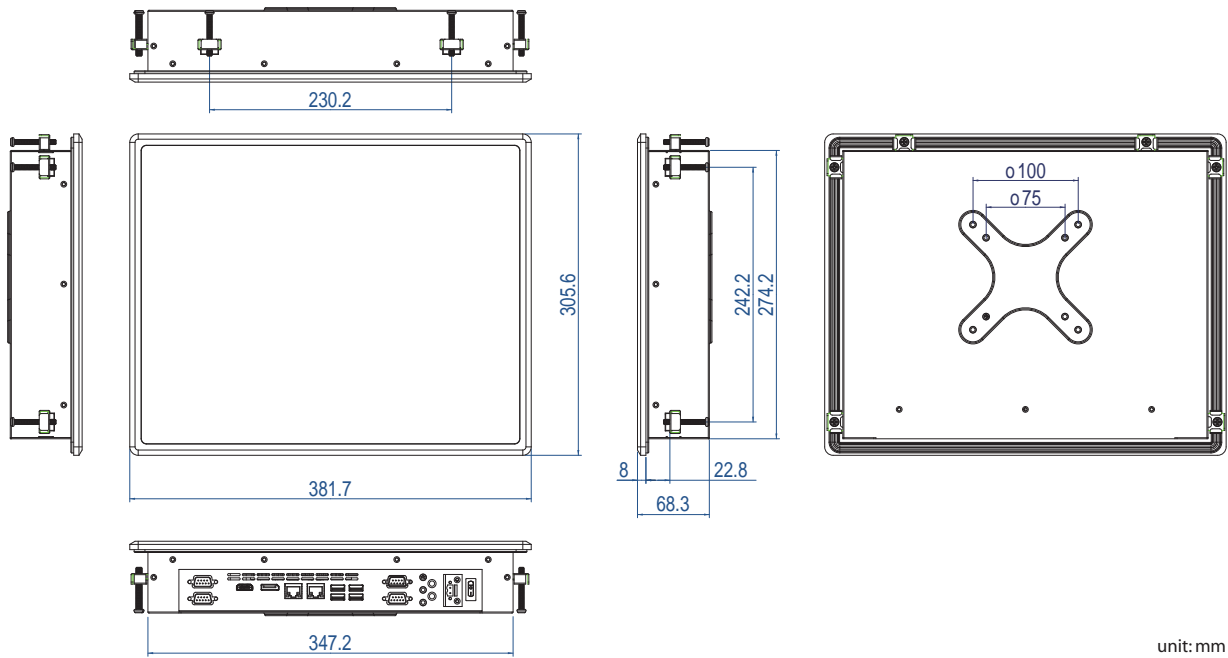
Power Supply	
Connector: Phoenix Connector (on rear)	
Input Voltage: DC 12V	
Power Adapter: AC to DC, 100V ~ 240V	
Firmware	
BIOS: AMI uEFI BIOS w/ 64Mb SPI Flash	
Watchdog: Programable WDT to generate System reset event	
H/W Monitor: Voltages, Temperatures	
Real Time Clock: SoC integrated RTC	
TPM: optional (Infineon SLB 9635 TPM 1.2)	
System Control & Monitoring	
1x Power Switch (on rear)	
1x Power LED (on rear)	
1x HDD LED (on rear)	
Cooling	
Passive	
OS Support	
Windows 7, Windows 8, Windows 10, Linux	
Construction	
Glass Surface + Ultra-narrow Aluminum Front Bezel + Metal Chassis	
Dimension (W x H x D)	
PPC-1500: 381.7 x 305.6 x 68.3 mm / 15.03" x 12.03" x 2.69"	
PPC-1700: 413.0 x 343.9 x 70.3 mm / 16.26" x 13.54" x 2.77"	
PPC-1900: 447.32 x 372.06 x 70.3 mm / 17.61" x 14.65" x 2.77"	
Weight	
PPC-1500: 4.9 kg / 10.80 lb	
PPC-1700: 5.7 kg / 12.57 lb	
PPC-1900: 6.7 kg / 14.77 lb	
Environmental Characteristics	
Operation Temperature: 0°C ~ 45°C / 32°F ~ 113°F	
Storage Temperature: -20°C ~ 70°C / -4°F ~ 158°F	
Humidity: 0% ~ 95%	
Mounting	
VESA Mount, Panel Mount	
Certification	
CE, FCC Class A, IP65 (Front)	

PPC-1500/1700/1900 I/Os

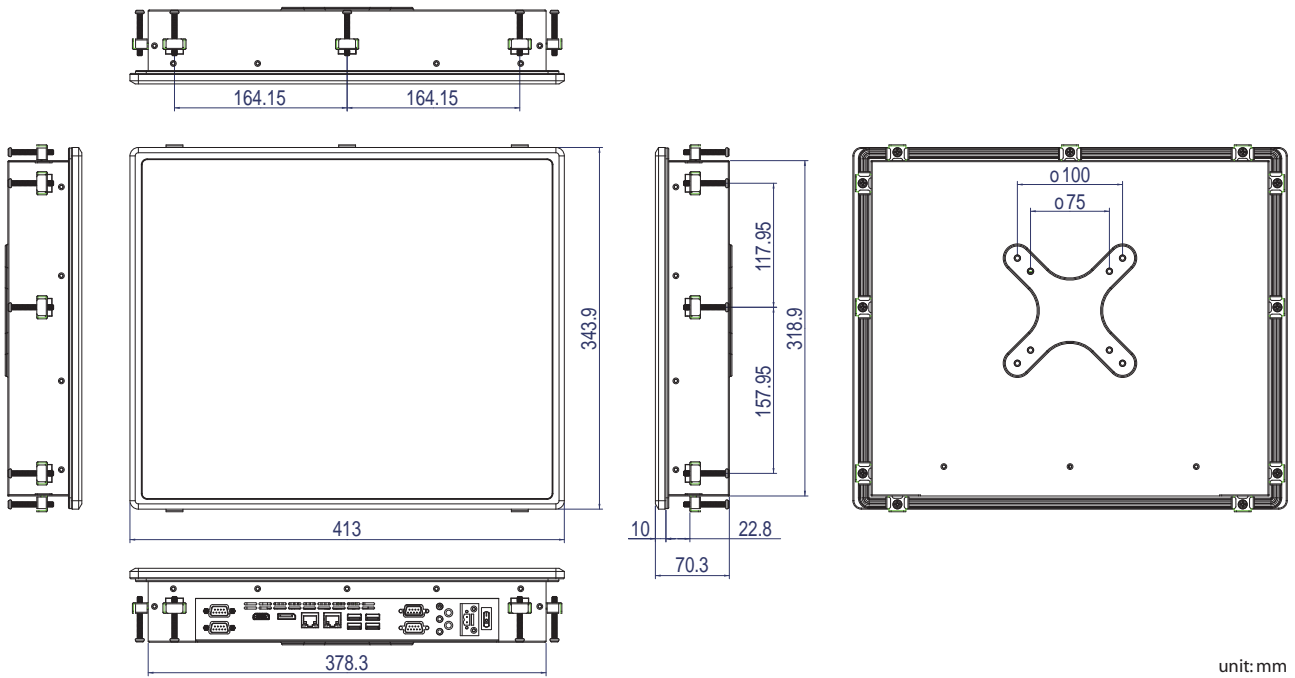


Mechanical Dimensions

PPC-1500

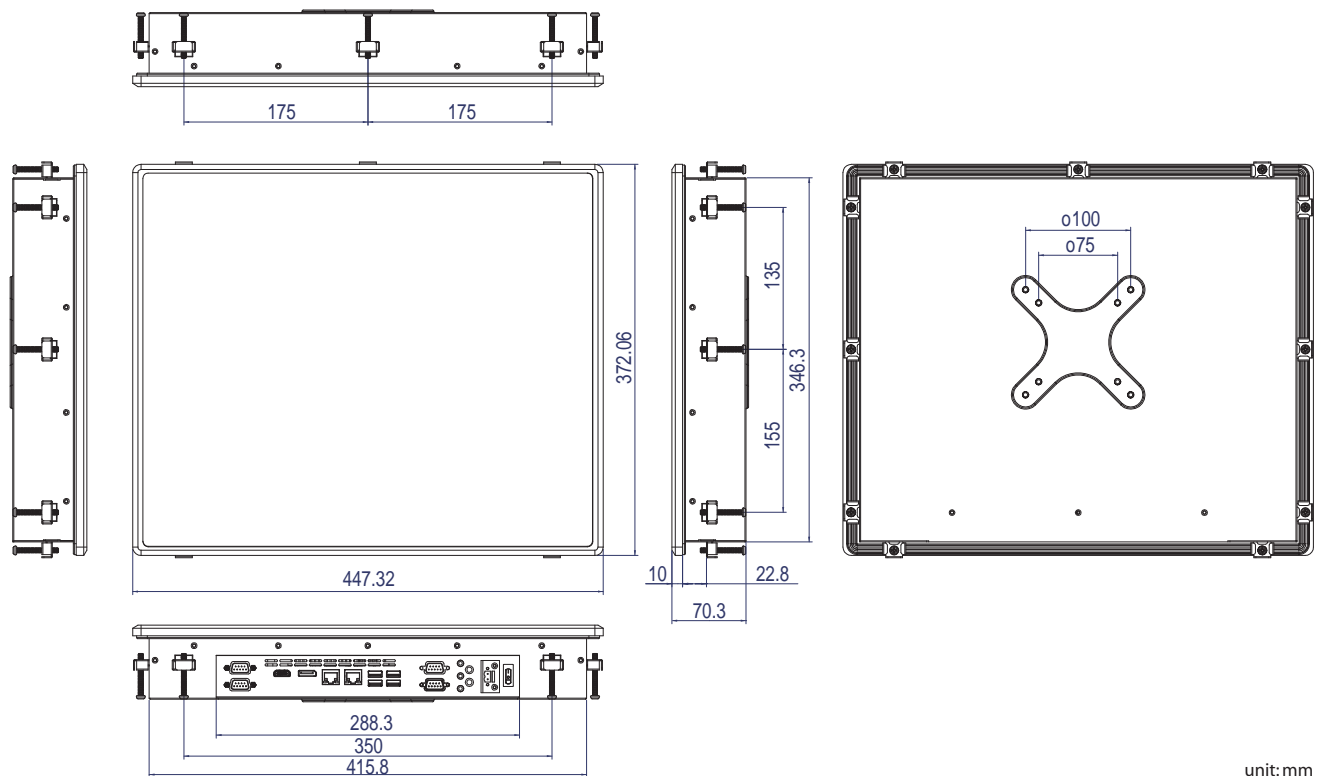


PPC-1700



unit: mm

PPC-1900



unit: mm

Ordering Information

Article	Part No.	Description
PPC-1500	SPPC150000010T00	15" 10pt PCT, Intel® Celeron® N3160 Processor, 1x HDMI, 1x DP, 2x LAN, 4x USB3.0, 2x RS-232/422/485, 2x RS-232, 2x mPCIe and 3x Audio jack
PPC-1700	SPPC170000010T00	17" 10pt PCT, Intel® Celeron® N3160 Processor, 1x HDMI, 1x DP, 2x LAN, 4x USB3.0, 2x RS-232/422/485, 2x RS-232, 2x mPCIe and 3x Audio jack
PPC-1900	SPPC190000010T00	19" 10pt PCT, Intel® Celeron® N3160 Processor, 1x HDMI, 1x DP, 2x LAN, 4x USB3.0, 2x RS-232/422/485, 2x RS-232, 2x mPCIe and 3x Audio jack

Optional Accessories

Product Name	Part No.	Description
VESA Mounting Kit	OZMMWALL-MNTA100	Hole pattern: 100 x 100 mm & 75 x 75 mm, dimension: 163 x 130 mm