

QBOX-1800

Fanless BOX PC
with Intel® Braswell SoC Processor



- Intel® Braswell SoC Processor, Celeron® N3160
- 2x DDR3L 1600 SO-DIMM up to 8GB
- 1x 2.5" SATA HDD / SSD, 1x Micro SD Card Cage for storage
- Intel® HD Graphics 400 integrated
- 2x HDMI, 1x DP for video output
- 1x LAN, 4x USB3.0, 1x COM for network and peripheral connection
- 1x mPCIe, 1x SIM card holder (optional) for wireless expansion
- Extended input voltage range: DC 9~24V
- Fanless design
- Palm-sized compact volume

Product Overview

The QBOX-1800 is a fanless BOX PC boasting high computing and graphics performance, based on Intel®'s latest Braswell SoC Processor, Celeron® N3160, as well as Intel® HD Graphics 400 integrated. In addition, it supports 2x HDMI, 1x DP, 1x LAN, 4x USB 3.0, 1x COM, 1x Audio Jack, 1x mPCIe socket for network / peripheral applications and expansions.

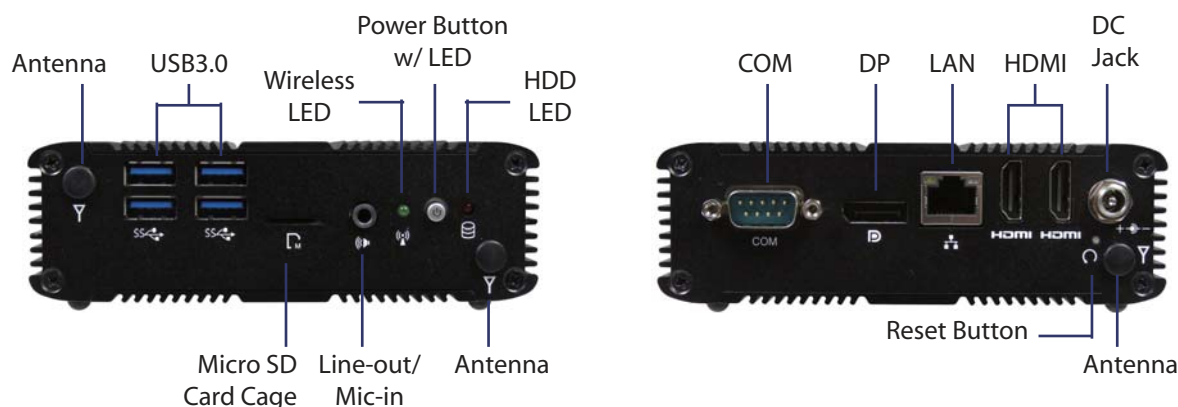
Enclosed in a high reliable rugged case integrated with passive cooling design, the QBOX-1800 not only has great resistance to EMI, cold, heat or other harsh conditions, but also offers noise-free operation for a pleasant environment. In addition, the palm-sized volume facilitates integration into space-critical applications.

Technical Information

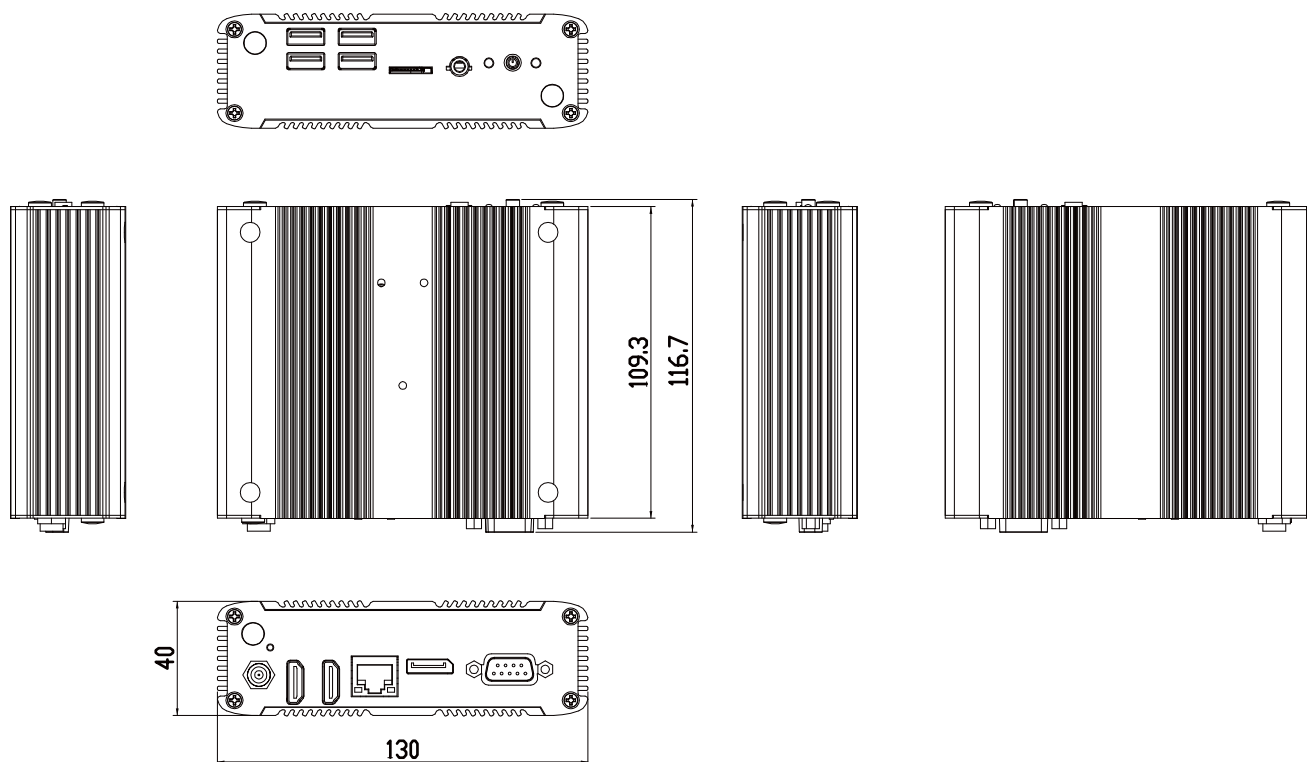
Processor	QBOX-1800: Intel® Celeron® N3160 Quad Core, 2M Cache, up to 2.24 GHz, FCBGA1170, 6W TDP
Memory	2x DDR3L 1600 SO-DIMM up to 8GB
BIOS	AMI uEFI BIOS w/ 128Mb SPI Flash Watchdog: Programmable WDT to generate system reset event H/W Monitor: Input & Core Voltages, CPU & System Temperatures Real Time Clock: SoC integrated RTC
Storage	1x 2.5" SATA HDD / SSD 1 x Micro SD Card Cage (on front)
Graphics Controller	Intel® HD Graphics 400 (integrated)
Display Interfaces	2x HDMI (on rear, 3840x2160 @ 30Hz or 2560x1600 @ 60Hz) 1x DP (on rear, 3840x2160 @ 30Hz or 2560x1600 @ 60Hz) Triple display support
Audio Chipset	Realtek ALC662
Audio Interfaces	1x Line-out/Mic-in (on front)
Ethernet	1x LAN (on rear, Intel® I210-AT)
I/Os	4x USB3.0 (Type A on front) 1x RS-232/422/485 (DB9 on rear)
Expansion	1x mPCIe 1x SIM card slot (optional)

Power Supply	Connector: DC Jack (on rear) Input Voltage: DC 9~24V
Button & Switch	1x Power Button (on front, w/ Power LED) 1x Reset Button (on rear)
Status Indicators	1x Power LED (on front, w/ Power Button) 1x HDD LED (on front) 1x Wireless LED (on front)
Cooling	Fanless
OS Support	Windows, Linux
Construction	Aluminum Chassis
Dimension (W x D x H)	130 x 116.7 x 40 mm / 5.12" x 4.59" x 1.57"
Weight	0.75 kg / 1.65 lb
Environmental Characteristics	Operating Temperature: 0°C ~ 50°C / 32°F ~ 122°F Storage Temperature: -20°C ~ 80°C / -4°F ~ 176°F Humidity: 0% ~ 90%
Mounting	VESA Mount
Certification	CE, FCC Class A

QBOX-1800 I/Os



• Mechanical Dimensions



• Ordering Information

Article	Part No.	Description
QBOX-1800	SQBX180000010T00	Intel® Celeron® Quad Core N3160 SoC Processor, 2x DDR3L SO-DIMM, 2x HDMI, 1x DP, 1x LAN, 4x USB3.0, 1x COM, 1x mPCIe