

# InSwitch ISE Series 1005D

## Entry-level Unmanaged Ethernet Switch



- 5 x10/100Base-TX, RJ45 auto-negotiating ports
- Certified industrial level 4 EMC
- Simple plug and play operation
- Provided with DIN-rail or wall mount options
- IP40 protection, fully enclosed type metal cabinet
- -40 to +85°C operating temperature range
- Wide voltage range design with redundant dual power input
- UL508 certified

### Product Overview

The ISE1005D is a 5 port DIN-rail Unmanaged Industrial Ethernet Switches designed for applications in electric power, transportation, industrial control and other severe industrial environments. It integrates a wide temperature range, high voltage tolerance, enterprise-class forwarding performance, high-bandwidth, strong cabinet, protected industrial circuits and other industrial features. It is capable of plug and play, and can satisfy reliability requirements in the harsh industrial environment.

### Product Features

#### ➤ Strong and reliable industrial quality

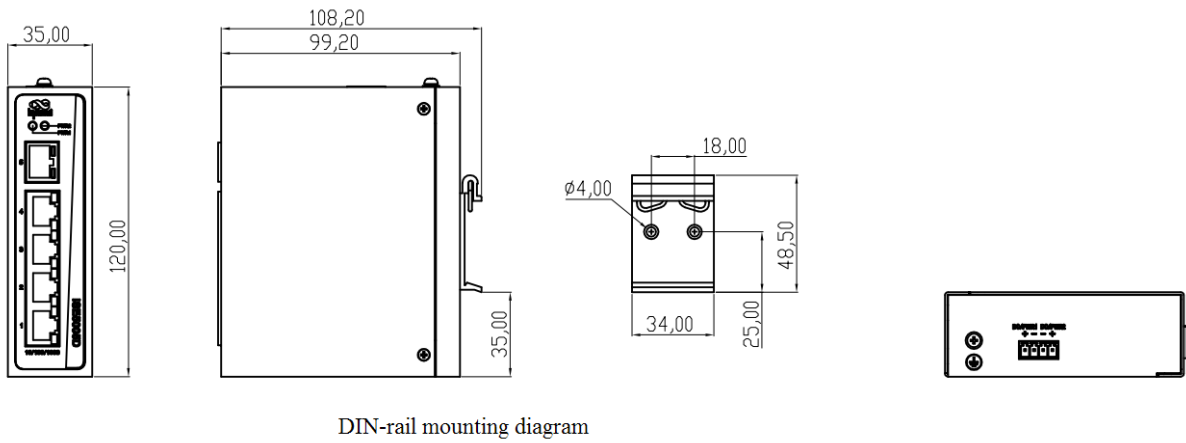
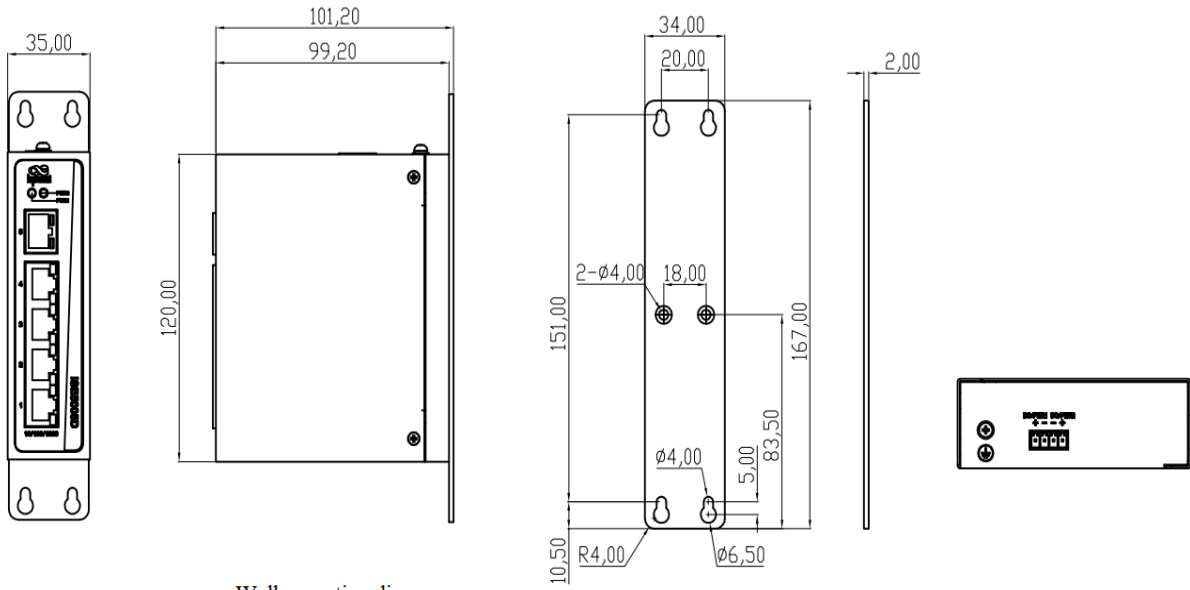
- ☑ Excellent EMC/EMI and anti-radiation performance
- ☑ Real industrial-class design, with working temperature at -40 ~ 85°C
- ☑ Redundant power input and industrial-class surge protection
- ☑ Strong metal cabinet with corrosion-proof coating
- ☑ Provided with IP40 seal protection, and dust proof, stain proof and debris proof
- ☑ Support industrial optional DIN-rail installation or wall-mounting kit available
- ☑ Low power consumption, full load power consumption under 1.6 Watts

**Product Specification**

Item		ISE1005D
Interface	RJ45 port	10/100Base-Tx auto-negotiation
	LED indication	PWR1,PWR2,LINK/ACT
Mechanical structure	Housing	IP40 protection class, fully enclosed and seamless type metal cabinet, PCB protection coating available
	Dimension (mm)	35 ×120 ×100
	Dimension (in)	17.8 × 47.2 × 39.4
	Weight	0.6 Kg
	Heat dissipation	Fanless heat dissipation
	Installation	DIN-rail and wall mounting (kit optional)
	MTBF	35 years
Power source	Input voltage	24 VDC (12~48 VDC), supporting redundant inputs
	Interface terminal	4-pin pluggable screw connection terminal
	Overload protection	Available
	Reverse polarity protection	Available
	Power consumption	< 1.6 W
Working environment	Working temperature	-40 ~ +85°C
	Storage temperature	-40 ~ +85°C
	Relative humidity	5% ~ 95% (free of condensation)
Switching performance	Forwarding inherent time delay	< 4μs
	Backplane bandwidth	1 Gbps
	MAC address table	1 Kbyte
	Data package buffer	512 Kbit
Industrial standard	Electromagnetic compatibility	ESD Electrostatic Discharge Immunity: EN61000-4-2, Level 4
		RFI Radio Frequency Immunity: EN61000-4-3, Level 4

Item		ISE1005D
		EFT Electrical Fast Transient/Burst Immunity: EN61000-4-4, Level 4
		Surge Immunity: EN61000-4-5, level 4
		Immunity to Conducted Disturbances: EN61000-4-6, Level 4
		Damped Oscillator Immunity: EN61000-4-12, Level 4
	Shock Test	IEC60068-2-27
	Free Fall	IEC60068-2-32
	Vibration	IEC60068-2-6
Warranty	Warranty period	5 years

## Dimensions(mm)



## Ordering Information

Product Type	Description
ISE1005D-5T-24	5 10/100Base-TX , 24VDC

### InHand Networks

InHand Networks provides reliable, secured and intelligent M2M solution for electric power, industrial automation, commercial and medical devices. Recognized by world class customers and partners. Proven by a large install base. Expanding with intensive investments in research and development. Enduring for long-term support.

InHand Networks has become leader in industrial grade network technology by providing industrial cellular routers, industrial Ethernet switches, wireless sensor network devices and cloud based M2M platforms.

Connecting devices, enabling service.



## InHand Networks

### Headquarters

West Wing, 11<sup>th</sup> Floor, Qi Ming International Mansion  
Wang Jing Science Park, Chao Yang District  
Beijing, 100102, China  
T:+86-10-6439-1099  
F:+86-10-8417-0089  
[info@inhandnetworks.com](mailto:info@inhandnetworks.com)

### US Office

7926 Jones Branch Dr. Suite 110  
McLean, Virginia 22102  
USA  
T: +1-703-348-2988  
F:+1-703-348-2988  
[www.inhandnetworks.com](http://www.inhandnetworks.com)