

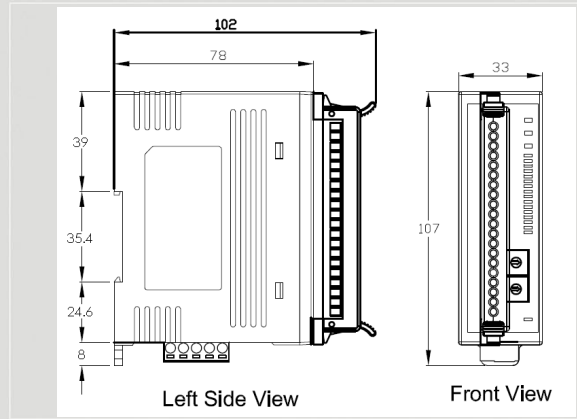


CANopen Series Products

6 AI, 2 AO, 2DI and 1DO module of CANopen Slave



CAN-2026C



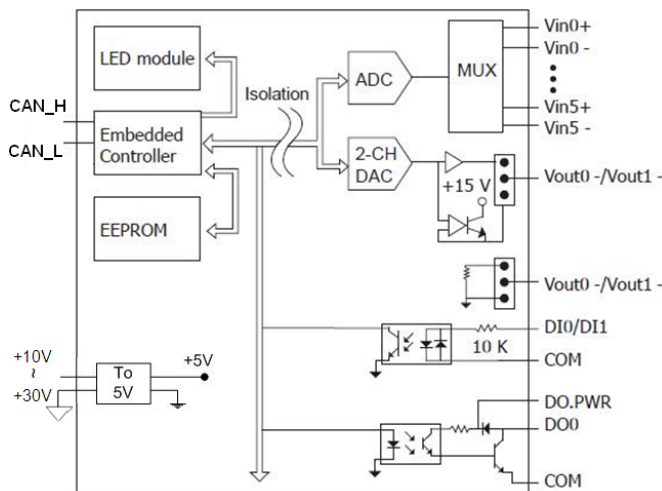
Dimensions

CAN-2026C module follows the CiA-301 version 4.02 and CiA-401 version 2.1. You can access the digital I/O status and set the configuration by using standard CANopen protocol. CAN-2026C has passed the validation of the CiA CANopen Conformance Test tool. Therefore, you can use it with standard CANopen master easily by applying the EDS file. CAN-2026C has 6 differential analog input channels, 2 analog output channels, 2 sink input channels and 1 sink output channel. It can be used to various applications. By owing to the CANopen masters of ICP DAS, you can quickly build a CANopen network to approach your requirement.

Features

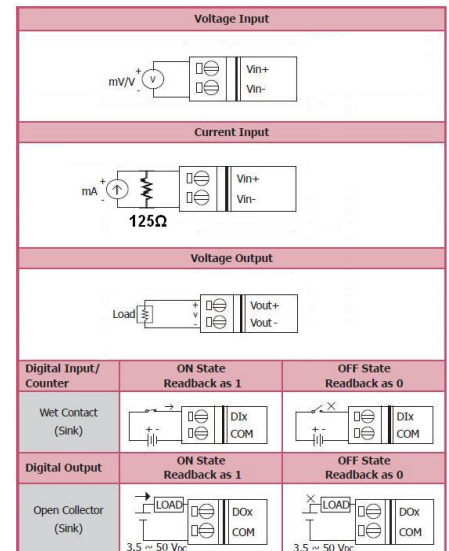
- NMT Slave
- Provide Pair-Connect function
- Provide default EDS file
- ESD Protection 4KV Contact for each channel
- Support Power supply 10 ~30 V_{DC}
- Support CiA-301 v4.02, CiA-401 v2.1
- Support PDO Mapping

Internal I/O Structure

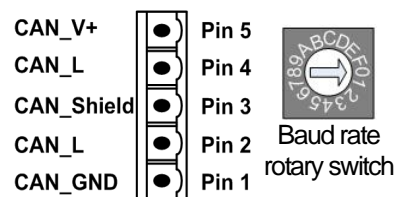


I/O Pin & Wire Connection

Terminal No.	Pin Assignment
01	Vin0+
02	Vin0-
03	Vin1+
04	Vin1-
05	Vin2+
06	Vin2-
07	Vin3+
08	Vin3-
09	Vin4+
10	Vin4-
11	Vin5+
12	Vin5-
13	Vout0+
14	Vout0-
15	Vout1+
16	Vout1-
17	DO0
18	DI0
19	DI1
20	COM



CAN Pin & Baud Rate Rotary



Switch Value	Baud Rate
0	10 kbps
1	20 kbps
2	50 kbps
3	125 kbps
4	250 kbps
5	500 kbps
6	800 kbps
7	1000 kbps

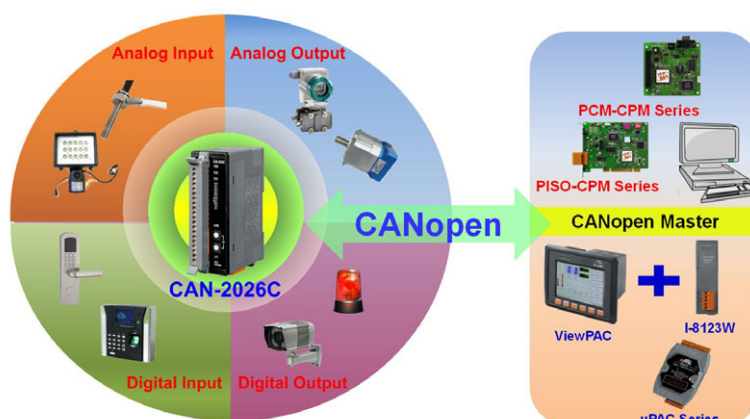


Hardware Specifications

CAN Interface	
Connector	5-pin screwed terminal block (CAN_GND, CAN_L, CAN_SHLD, CAN_H, CAN_V+)
Baud Rate (bps)	10 k, 20 k, 50 k, 125 k, 250 k, 500 k, 800 k, 1M
Terminator Resistor	Switch for 120 Ω terminator resistor
Node ID	1~99 selected by rotary switch
Protocol	CANopen CiA-301 ver4.02, CiA-401 ver2.1
No. of PDOs	10 Rx, 10Tx (Support Dynamic PDO)
PDO Mode	Event Triggered, Remotely requested, Cyclic and acyclic SYNC
Power	
Input range	Unregulated +10 ~ +30 V _{DC}
Power Consumption	1.8 W
LED	
Round LED	PWR LED, RUN LED, ERR LED
Mechanism	
Dimensions	33 mm x 99 mm x 78 mm (W x L x H)
Environment	
Operating Temp.	-25 ~ 75 °C
Storage Temp.	-30 ~ 80 °C
Humidity	5~ 95% RH, non-condensing
Analog Input	
Input Channels	6 (Differential)
Input Type	+/-150mV, +/-500 mV, +/-1V, +/-5 V, +/-10 V, +/-20 mA (External 125Ω resistor required)
Sampling Rate	60 Samples/Sec. (Total)
Zero Drift	+/-10 uV/°C
Span Drift	+/-25 ppm/ °C
Common Mode Rejection	86 dB Min.

Analog Input	
Normal Mode Rejection	100 dB
Resolution	16-bit
Over voltage protection	240 Vrms
Individual channel configuration	Yes
Analog Output	
Output channels	2
Output Type	+0V ~ +5V, +/-5V, +0 V ~ +10V, +/-10V
Resolution	12-bit
Accuracy	+/-0.1% of FSR
Voltage Output Capability	10 V @ 20 mA
Current Load Resistance	500 Ω
Power-on value	Yes
Safe value	Yes
Digital Output	
Output channels	1
Output Type	Isolated Open Collector (Sink)
Max Load current	700 mA/channel Max.
Load Voltage	+3.5 V _{DC} ~ +50 V _{DC}
Over voltage protection	60 V _{DC}
Overload protection	Yes
Short Circuit protection	Yes
Power-on value	Yes, Programmable
Safe value	Yes, Programmable
Digital Input	
Input channels	2
Input Type	Wet contact (Sink)
On Voltage Level	+3.5 V _{DC} ~ 30 V _{DC}
Off Voltage Level	+1 V _{DC} Max.
Input Impedance	10 KΩ, 0.66W
Over voltage protection	70 V _{DC}

Application



Ordering Information

CAN-2026C	CANopen slave module with 6-channel AI, 2-channel AO, 1-channel DO and 2-channel DI
------------------	---