

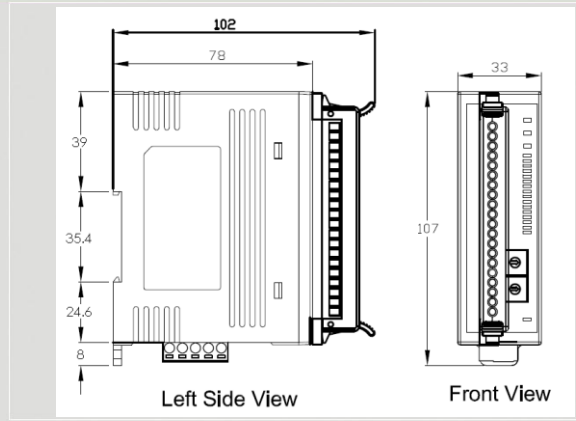


# CANopen Series Products

8 ch DI & 8 ch DO module of CANopen Slave



CAN-2055C



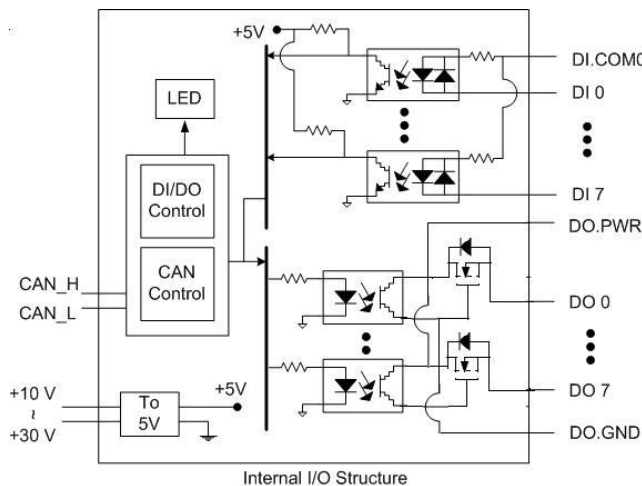
Dimensions

CAN-2055C module follows the CiA-301 version 4.02 and CiA-401 version 2.1. You can access the digital I/O status and set the configuration by using standard CANopen protocol. CAN-2055C has passed the validation of the CiA CANopen Conformance Test tool. Therefore, you can use it with standard CANopen master easily by applying the EDS file. CAN-2055C has 8 isolated sink/source input channels and 8 isolated source output channels. It can be used to various applications, such as PNP, NPN, TTL, relay contact and so forth. By owing to the CANopen masters of ICP DAS, you can quickly build a CANopen network to approach your requirement.

## Features

- NMT Slave
- Provide Pair-Connect function
- Provide default EDS file
- ESD Protection 4KV Contact for each channel
- Support Power supply 10 ~30 V<sub>DC</sub>
- Support CiA-301 v4.02, CiA-401 v2.1
- Support PDO Mapping

## Internal I/O Structure



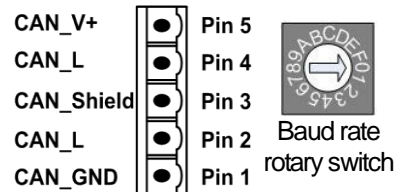
## I/O Pin & Wire Connection

Terminal No.	Pin Assignment
01	DI.COM
02	DI0
03	DI1
04	DI2
05	DI3
06	DI4
07	DI5
08	DI6
09	DI7
10	DO0
11	DO1
12	DO2
13	DO3
14	DO4
15	DO5
16	DO6
17	DO7
18	DO.GND
19	DO.GND
20	DO.PWR

Input Type	ON State LED ON Readback as 1	OFF State LED OFF Readback as 0
Relay Contact	Relay On 	Relay Off 
	Voltage > 10 V 	Voltage < 4 V 
TTL/CMOS Logic	Logic Power On Logic Level Low 	Logic Power Off Logic Level High 
NPN Output	Open Collector On 	Open Collector Off 
	PNP Output 	Open Collector Off 

Output Type	ON State LED ON Readback as 1	OFF State LED OFF Readback as 0
Drive Relay	Relay Off 	Relay On 
	Resistance Load 	

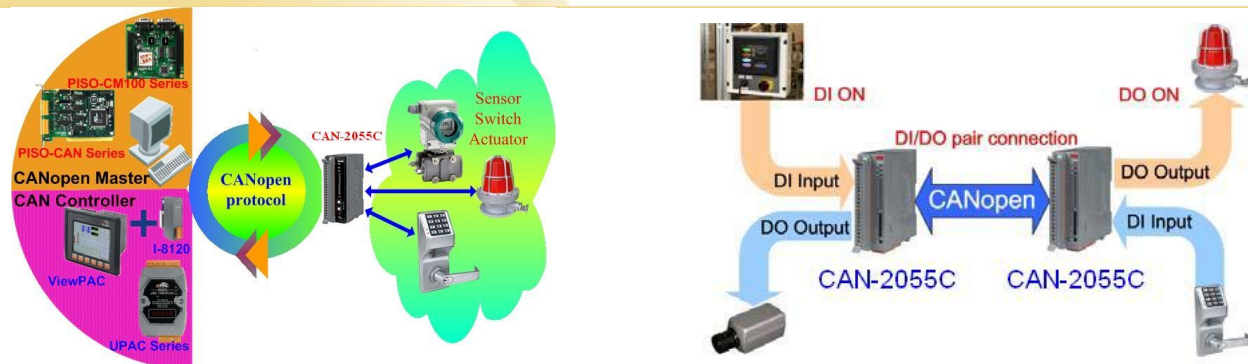
## CAN Pin & Baud Rate Rotary



Switch Value	Baud Rate
0	10 kbps
1	20 kbps
2	50 kbps
3	125 kbps
4	250 kbps
5	500 kbps
6	800 kbps
7	1000 kbps

## Hardware Specifications

CAN Interface	
Connector	5-pin screwed terminal block (CAN_GND, CAN_L, CAN_SHLD, CAN_H, CAN_V+)
Baud Rate (bps)	10 k, 20 k, 50 k, 125 k, 250 k, 500 k, 800 k, 1M
Terminator Resistor	Switch for 120 Ω terminator resistor
Node ID	1~99 selected by rotary switch
Protocol	CANopen CiA-301 ver4.02, CiA-401 ver2.1
No. of PDOs	10 Rx, 10Tx (Support Dynamic PDO)
PDO Mode	Event Triggered, Remotely requested, Cyclic and acyclic SYNC
Digital Input	
Channels	8 (Sink/Source)
On Voltage Level	3.5 ~ 30 V <sub>DC</sub>
Off Voltage Level	+1 V <sub>DC</sub> Max
Response Time	250 us
ESD protection	4kV contact for each channel
Digital Output	
Channels	8 (Source)
Load Voltage	10 ~ 30 V <sub>DC</sub>
Load Current	700mA, each channel
Reaction Time	200 us
LED	
Round LED	PWR LED, RUN LED, ERR LED
Alarm LED	8 LEDs for DI and DO individually, and 1 LED as terminal resistor indicator
Power	
Input range	Unregulated +10 ~ +30 V <sub>DC</sub>
Power Consumption	1.5 W
Mechanism	
Dimensions	33 mm x 99 mm x 78 mm (W x L x H)
Environment	
Operating Temp.	-25 ~ 75 °C
Storage Temp.	-30 ~ 80 °C
Humidity	10 ~ 90% RH, non-condensing



## Ordering Information

**CAN-2055C**

CANopen module of 8- channel Digital Input and 8- channel Digital Output