

Datasheet

MicroSD Card 2.0 series

- SD 2.0 interface
- Support static and global wear leveling algorithm
- Intelligent system for error recovery
- Excellent data transfer speed
- Power cycling enhanced



Introduction

While MicroSD card 2.0 series has been a popular embedded storage device for mobile market, Innodisk has been developing a more reliable MicroSD card that will support ruggedized applications in the embedded fields. Therefore, Innodisk would like to introduce you the industrial-grade MicroSD card built with SLC (Single Level Cell) flash, delivering the most reliable MicroSD card with outstanding performance and excellent endurance.

MicroSD Card

2.0 series

Contact us for more information about the MicroSD 2.0 series.

Innodisk is a service-driven provider of industrial embedded flash storage products and technologies, with a focus on the cloud computing, industrial/embedded, and aerospace and defense industries.

Headquarters (Taiwan)

5F., No. 237, Sec. 1, Datong Rd.,
Xizhi Dist., New Taipei City 221,
Taiwan
Tel: +886-2-77033000
Email: sales@innodisk.com

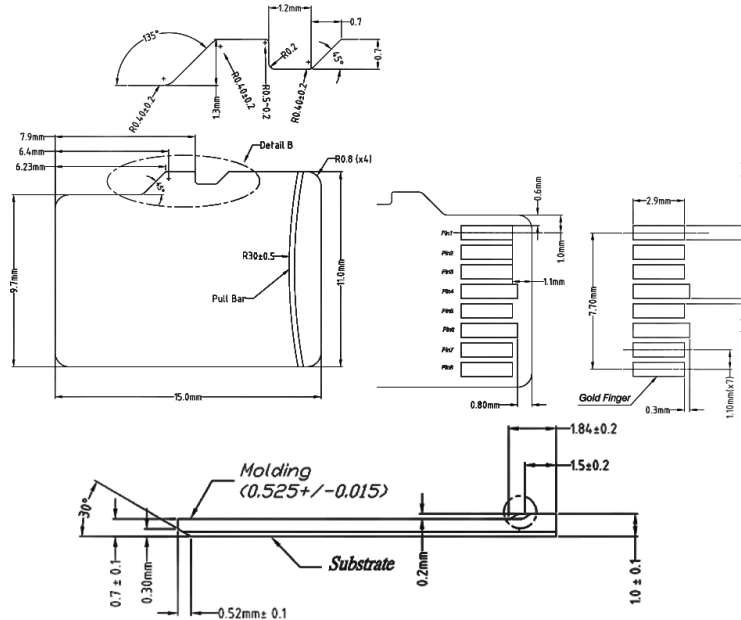
Branch Offices:

USA
usasales@innodisk.com
+1-510-770-9421
Europe
eusales@innodisk.com
+31-(0)40-282-1818
Japan
jpsales@innodisk.com
+81-45-594-7581
China
sales_cn@innodisk.com
+86-755-21673689
www.innodisk.com

© 2015 Innodisk Corporation.
All right reserved. Specifications
are subject to change without
prior notice.

2015.10.22

Diagram



Specifications

Interface	SD 2.0
Flash Type	SLC
Capacity	1GB~8GB
Max. Channels	1
Sequential R/W (MB/sec, max.)	20/16
Max. Power Consumption	0.17W (3.3V x 50mA)
Dimension (WxLxH)	11.0 X 15.0 X 1.0 mm
Environment	Vibration: 20G @7~2000Hz Shock: 1500G @ 0.5ms Storage Temperature: -55°C ~ +95°C MTBF: 3 million hours

Ordering Information

Operation Temp.	1GB	2GB	4GB	8GB
Standard Grade (0°C ~ +70°C)	DS2M-01GI81AC1SB	DS2M-02GI81AC1ST	DS2M-04GI81AC1ST	DS2M-08GI81AC1ST
Industrial Grade (-40°C ~ +85°C)	DS2M-01GI81AW1SB	DS2M-02GI81AW1ST	DS2M-04GI81AW1ST	DS2M-08GI81AW1ST