

# IKS-6726A/6728A Series

## 24+2G/24+4G-port modular managed Ethernet switches



- > 2/4 Gigabit plus 24 Fast Ethernet ports for copper and fiber
- > Turbo Ring and Turbo Chain (recovery time < 20 ms @ 250 switches), RSTP/STP, and MSTP for network redundancy
- > TACACS+, SNMPv3, IEEE 802.1X, HTTPS, and SSH to enhance network security
- > Easy network management by web browser, CLI, Telnet/serial console, Windows utility, and ABC-02-USB
- > Isolated redundant power inputs with universal 24/48 VDC or 110/220 VAC power supply
- > Modular design lets you choose from a variety of media combinations
- > -40 to 75°C operating temperature range



### Introduction

The IKS-6726A/6728A series of industrial rackmount Ethernet switches are designed to meet the rigorous demands of mission critical applications for industry and business, such as traffic control systems and maritime applications. The IKS-6726A/6728A's Gigabit and fast Ethernet backbone, redundant ring, and 24/48 VDC or 110/220 VAC

dual isolated redundant power supplies increase the reliability of your communications and save on cabling and wiring costs. The modular design of the IKS-6726A/6728A also makes network planning easy, and allows greater flexibility by letting you install up to 4 Gigabit ports and 24 fast Ethernet ports.

### Features and Benefits

- Command Line Interface (CLI) for quickly configuring major managed functions
- Software-based IEEE 1588 PTPv2 (Precision Time Protocol) for precise time synchronization of networks
- DHCP Option 82 for IP address assignment with different policies
- Support EtherNet/IP and Modbus/TCP protocols for device management and monitoring
- Compatible with EtherNet/IP and PROFINET protocols for transparent data transmission
- Turbo Ring and Turbo Chain (recovery time < 20 ms @ 250 switches), RSTP/STP, and MSTP for network redundancy
- IGMP snooping and GMRP for filtering multicast traffic
- Port-based VLAN, IEEE 802.1Q VLAN, and GVRP to ease network planning
- QoS (IEEE 802.1p/1Q) and TOS/DiffServ to increase determinism
- IEEE 802.3ad, LACP for optimum bandwidth utilization
- TACACS+, IEEE 802.1X, SNMPv3, HTTPS, and SSH to enhance network security
- SNMPv1/v2c/v3 for different levels of network management
- RMON for efficient network monitoring and proactive capability
- Bandwidth management prevents unpredictable network status with "Lock port" to restrict access to authorized MAC addresses
- Port mirroring for online debugging
- Automatic warning by exception through email, relay output
- Automatic recovery of connected device's IP addresses
- Line-swap fast recovery
- Configurable by web browser, Telnet/serial console, CLI, Windows utility, and ABC-02-USB automatic backup configurator

### Specifications

#### Technology

##### Standards:

- IEEE 802.3 for 10BaseT
- IEEE 802.3u for 100BaseT(X) and 100BaseFX
- IEEE 802.3ab for 1000BaseT(X)
- IEEE 802.3z for 1000BaseX
- IEEE 802.3x for Flow Control
- IEEE 802.1D-2004 for Spanning Tree Protocol
- IEEE 802.1w for Rapid STP
- IEEE 802.1s for Multiple Spanning Tree Protocol
- IEEE 802.1Q for VLAN Tagging

### Modular Rackmount Ethernet Switch System, IKS-6726A/6728A

IKS-6726A-2GTXSFP



IKS-6728A-4GTXSFP



IEEE 802.1p for Class of Service

IEEE 802.1X for Authentication

IEEE 802.3ad for Port Trunk with LACP

**Protocols:** IGMP v1/v2, GMRP, GVRP, SNMPv1/v2c/v3, DHCP Server/Client, BootP, TFTP, SNTP, SMTP, RARP, RMON, HTTP, HTTPS, Telnet, SSH, Syslog, DHCP Option 66/67/82, EtherNet/IP, Modbus/TCP, LLDP, IEEE 1588 PTP V2, IPv6, NTP Server/Client

**MIB:** MIB-II, Ethernet-like MIB, P-BRIDGE MIB, Q-BRIDGE MIB, Bridge MIB, RSTP MIB, RMON MIB Group 1, 2, 3, 9

**Flow Control:** IEEE 802.3x flow control, back pressure flow control

### Switch Properties

**Priority Queues:** 4

**Max. Number of Available VLANs:** 64

**VLAN ID Range:** VID 1 to 4094

**IGMP Groups:** 256

**MAC Table Size:** 8 K

**Packet Buffer Size:** 2 Mbit

### Interface

**Fast Ethernet:** 8-port 10/100Base T(X) and 2 modular slots for any 8-, or 6-port Interface Modules with 10/100BaseT(X), 100BaseFX (SC/ST connector), or 100Base SFP

*Note: See the IM-6700A datasheet for Fast Ethernet module product information.*

**Gigabit Ethernet:** 2- or 4-port 10/100/1000BaseT(X) or 100/1000Base SFP

**Console Port:** USB-serial console (Type B connector)

**Storage Port:** USB storage (Type A connector for ABC-02-USB)

**System LED Indicators:** STATE, PWR1, PWR2, FAULT, MSTR/HEAD, CPLR/TAI

**Alarm Contact:** 1 relay output with current carrying capacity of 3 A @ 30 VDC or 3 A @ 240 VAC

### Power Requirements

**Input Voltage:** 24 VDC (18 to 36 VDC), 48 VDC (36 to 72 VDC), or 110/220 VAC (85 to 264 VAC)

**Input Current:** (without IM-6700A modules installed)

- Max. 0.42 A @ 24 VDC

- Max. 0.22 A @ 48 VDC

- Max. 0.32/0.16 A @ 110/220 VAC

**Overload Current Protection:** Present

**Reverse Polarity Protection:** Present

### Physical Characteristics

**Housing:** IP30 protection

**Dimensions:** 440 x 44 x 280 mm (17.32 x 1.37 x 11.02 in)

**Weight:** 4100 g

**Installation:** 19" rack mounting

### Environmental Limits

**Operating Temperature:** -40 to 75°C (-40 to 167°F)

**Storage Temperature:** -40 to 85°C (-40 to 185°F)

**Ambient Relative Humidity:** 5 to 95% (non-condensing)

### Standards and Certifications

**Safety:** UL 60950-1, EN 60950-1

**EMI:** FCC Part 15 Subpart B Class A, EN 55022 Class A

**EMS:**

EN 61000-4-2 (ESD) Level 3, EN 61000-4-3 (RS) Level 3,

EN 61000-4-4 (EFT) Level 3, EN 61000-4-5 (Surge) Level 3,

EN 61000-4-6 (CS) Level 3, EN 61000-4-8, EN 61000-4-11

**Rail Traffic:** EN 50121-4

**Shock:** IEC 60068-2-27

**Freefall:** IEC 60068-2-32

**Vibration:** IEC 60068-2-6

*Note: Please check Moxa's website for the most up-to-date certification status.*

### MTBF (mean time between failures)

**Time:** 643,945 hrs

**Database:** Telcordia (Bellcore), GB

### Warranty

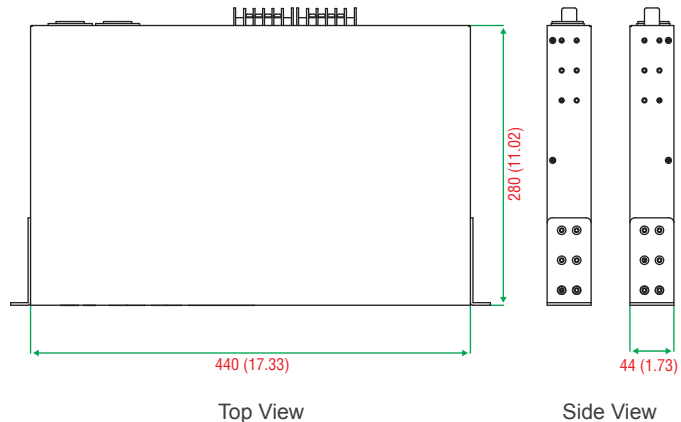
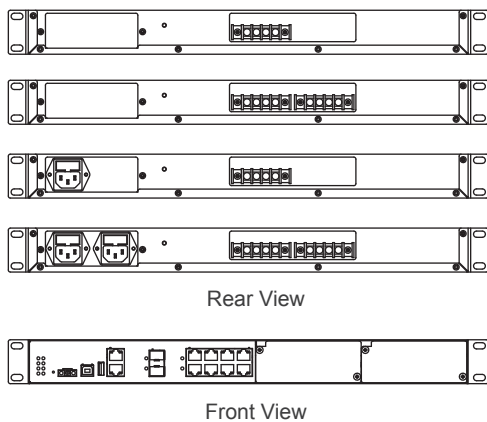
**Warranty Period:** 5 years

**Details:** See [www.moxa.com/warranty](http://www.moxa.com/warranty)

## Dimensions

### IKS-6726A-2GTXSFP Series

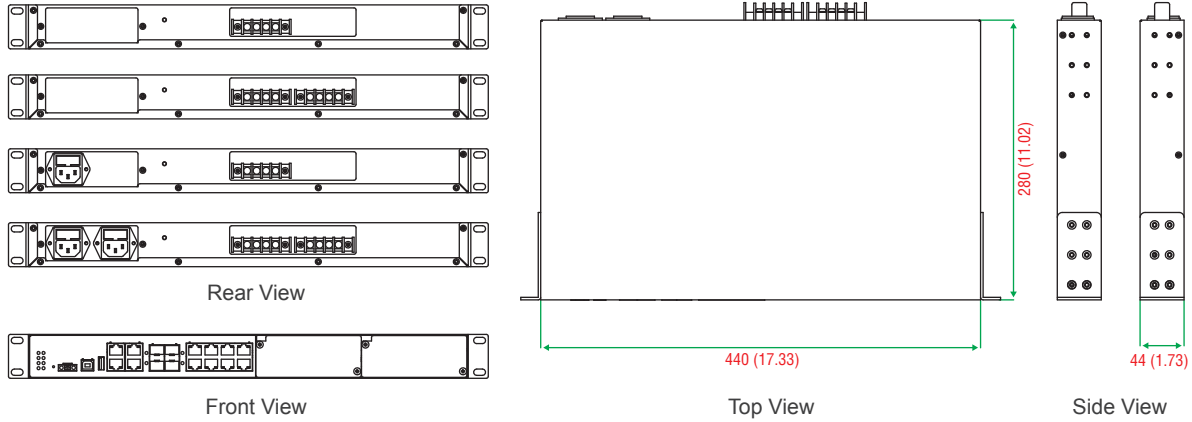
Unit: mm (inch)



**Dimensions**

**IKS-6728A-4GTXSFP Series**

Unit: mm (inch)



**Ordering Information**

**Step 1: Select Ethernet switch system**

**Step 2: Select interface modules**

IKS-6726A/6728A with power supply



IM-6700A modules (Fast Ethernet)

Note: The IKS-6726A/6728A Ethernet switch system is delivered without interface modules. See the IM-6700A datasheet to determine which interface modules are suitable for your application.

**IKS-6726A/6728A Modular Rackmount Ethernet Switch System**

Modular managed rackmount Ethernet switch with 8 fixed 10/100BaseT(X) ports, 2 or 4 Gigabit Copper/SFP combo ports, and 2 slots for Fast Ethernet modules. Support up to 24+4G ports, -40 to 75°C operating temperature.

Available Models	Port Interface				Power Supply					
	Gigabit Ethernet	Fast Ethernet			Isolated Power Supply 1			Isolated Power Supply 2		
Front Cabling, Wide Temperature (-40 to 75 °C)	10/100/1000 BaseT(X) or 100/1000BaseSFP*	10/100BaseT(X)	100BaseFX	100BaseSFP*	HV (85 to 264 VAC)	48 VDC	24 VDC	HV (85 to 264 VAC)	48 VDC	24 VDC
<b>IKS-6726A Series</b>										
IKS-6726A-2GTXSFP-HV-T	2	Up to 24	Up to 12	Up to 18	1	-	-	-	-	-
IKS-6726A-2GTXSFP-HV-HV-T	2	Up to 24	Up to 12	Up to 18	1	-	-	1	-	-
IKS-6726A-2GTXSFP-24-T	2	Up to 24	Up to 12	Up to 18	-	-	1	-	-	-
IKS-6726A-2GTXSFP-24-24-T	2	Up to 24	Up to 12	Up to 18	-	-	1	-	-	1
IKS-6726A-2GTXSFP-48-T	2	Up to 24	Up to 12	Up to 18	-	1	-	-	-	-
IKS-6726A-2GTXSFP-48-48-T	2	Up to 24	Up to 12	Up to 18	-	1	-	-	1	-
<b>IKS-6728A Series</b>										
IKS-6728A-4GTXSFP-HV-T	4	Up to 24	Up to 12	Up to 20	1	-	-	-	-	-
IKS-6728A-4GTXSFP-HV-HV-T	4	Up to 24	Up to 12	Up to 20	1	-	-	1	-	-
IKS-6728A-4GTXSFP-24-T	4	Up to 24	Up to 12	Up to 20	-	-	1	-	-	-
IKS-6728A-4GTXSFP-24-24-T	4	Up to 24	Up to 12	Up to 20	-	-	1	-	-	1
IKS-6728A-4GTXSFP-48-T	4	Up to 24	Up to 12	Up to 20	-	1	-	-	-	-
IKS-6728A-4GTXSFP-48-48-T	4	Up to 24	Up to 12	Up to 20	-	1	-	-	1	-

Note: The IKS-6726A/6728A series supports 100BaseSFP and 100/1000BaseSFP slots. See the SFP-1G and SFP-1FE datasheets for SFP module product information.

**Optional Accessories** (can be purchased separately)

**MXview:** Moxa industrial network management software with 50, 100, 250, 500, 1000, or 2000 nodes

**EDS-SNMP OPC Server Pro:** OPC server software that works with all SNMP devices

**ABC-02-USB:** Configuration backup and restoration tool for managed Ethernet switches, 0 to 60°C operating temperature

**Power Cords:** See Appendix A for details

**Package Checklist**

- IKS-6726A or IKS-6728A switch
- AC power cord (HV model only)
- Protective caps for unused ports
- 2 rackmount ears
- Documentation and software CD
- Hardware installation guide (printed)
- Warranty card

# IM-6700A Series

**Fast Ethernet modules for IKS-6726A-2GTXSFP/IKS-6728A-4GTXSFP/  
IKS-6728A-8PoE-4GTXSFP series switches**

## Specifications

### Fast Ethernet Interface Modules, IM-6700A series



IM-6700A-8TX



IM-6700A-8SFP\*



IM-6700A-6SSC  
IM-6700A-6MSC



IM-6700A-6MST



IM-6700A-2MSC4TX  
IM-6700A-2SSC4TX



IM-6700A-2MST4TX



IM-6700A-4MSC2TX  
IM-6700A-4SSC2TX



IM-6700A-4MST2TX



IM-6700A-8PoE\*\*

\*See the SFP-1FE datasheet for Fast Ethernet module product information.  
\*\*IM-6700A-8PoE is supported by the IKS-6728A-8PoE series

### Interface

**RJ45 Ports:** 10/100BaseT(X) auto negotiation speed, Full/Half duplex mode, and auto MDI/MDI-X connection

**Fiber Ports:** 100BaseFX ports (SC/ST or SFP LC connector)

**LED Indicators:** 10/100 for TP port, 100M for fiber port

**PoE Ports:** 10/100BaseT(X) auto negotiation speed, Full/Half duplex mode, and auto MDI/MDI-X connection, IEEE 802.3af/at standards, Mode A

### Power Requirements

**Power Consumption:**

IM-6700A-8TX: 1.43 W

IM-6700A-8PoE: 1.43 W (w/o PoE output)

IM-6700A-8SFP: 9.95 W

IM-6700A-6MSC, -6MST, -6SSC: 8.20 W

IM-6700A-4MSC2TX, -4MST2TX, -4SSC2TX: 5.72 W

IM-6700A-2MSC4TX, -2MST4TX, -2SSC4TX: 3.45 W

### Physical Characteristics

**Weight:**

IM-6700A-8TX: 225 g

IM-6700A-8PoE: 260 g

IM-6700A-8SFP: 295 g

IM-6700A-6MSC, -6MST, -6SSC: 390 g

IM-6700A-4MSC2TX, -4MST2TX, -4SSC2TX: 270 g

IM-6700A-2MSC4TX, -2MST4TX, -2SSC4TX: 270 g

### Reliability

**MTBF (mean time between failures):**

IM-6700A-8TX: 10,412,400 hrs

IM-6700A-8SFP: 3,510,110 hrs

IM-6700A-6MSC: 366,119 hrs

IM-6700A-6MST: 365,741 hrs

IM-6700A-6SSC: 365,741 hrs

IM-6700A-4MSC2TX: 530,268 hrs

IM-6700A-4MST2TX: 537,942 hrs

IM-6700A-2MSC4TX: 1,031,180 hrs

IM-6700A-2MST4TX: 1,031,180 hrs

IM-6700A-2SSC4TX: 1,031,180 hrs

IM-6700A-8PoE: 338,800 hrs

**Database:** Telcordia (Bellcore), GB

### Optical Fiber

	100BaseFX	
	Multi-mode	Single-mode
Wavelength	1300 nm	1310 nm
Max. TX	-10 dBm	0 dBm
Min. TX	-20 dBm	-5 dBm
RX Sensitivity	-32 dBm	-34 dBm
Link Budget	12 dB	29 dB
Typical Distance	5 km <sup>a</sup> 4 km <sup>b</sup>	40 km <sup>c</sup>
Saturation	-6 dBm	-3 dBm

a. 50/125 μm, 800 MHz\*km fiber optic cable

b. 62.5/125 μm, 500 MHz\*km fiber optic cable

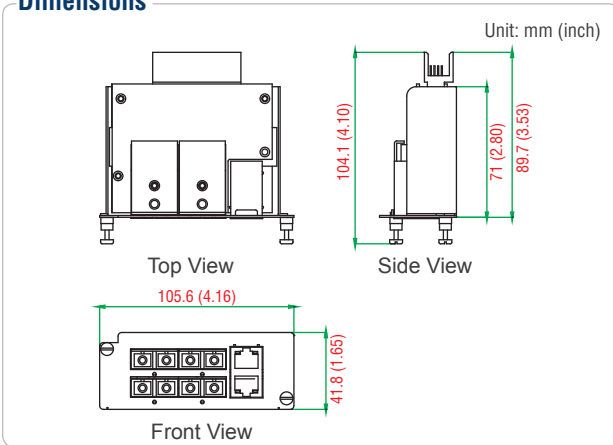
c. 9/125 μm single-mode fiber optic cable

### Warranty

**Warranty Period:** 5 years

**Details:** See [www.moxa.com/warranty](http://www.moxa.com/warranty)

### Dimensions



### : Ordering Information

#### Compatible Rackmount Ethernet Switch Systems

##### Modular Rackmount Ethernet Switch System:

IKS-6726A-2GTXSFP



IKS-6728A-4GTXSFP



IKS-6728A-8PoE



#### Fast Ethernet Modules, IM-6700A Series

Available Models	Port Interface				
	10/100BaseT(X)	100BaseFX			100BaseSFP*
		Multi-mode, SC Connector	Multi-mode, ST Connector	Single-mode, SC Connector	
IM-6700A-8TX	8	–	–	–	–
IM-6700A-8SFP	–	–	–	–	8
IM-6700A-6MSC	–	6	–	–	–
IM-6700A-6MST	–	–	6	–	–
IM-6700A-6SSC	–	–	–	6	–
IM-6700A-4MSC2TX	2	4	–	–	–
IM-6700A-4MST2TX	2	–	4	–	–
IM-6700A-4SSC2TX	2	–	–	4	–
IM-6700A-2MSC4TX	4	2	–	–	–
IM-6700A-2MST4TX	4	–	2	–	–
IM-6700A-2SSC4TX	4	–	–	2	–
IM-6700A-8PoE	8 (PoE+ ports)	–	–	–	–

#### Package Checklist

- IM-6700A series interface module
- Warranty card

# SFP-1G Series

## 1-port Gigabit Ethernet SFP modules



- > IEEE 802.3z compliant
- > Differential LVPECL inputs and outputs
- > TTL signal detect indicator
- > Hot pluggable LC duplex connector
- > Class 1 laser product, complies with EN 60825-1



## Specifications

### Interface

**Ethernet Ports:** 1

**Connectors:** Duplex LC Connector or Simplex LC Connector (WDM-type only)

**Note:** WDM-type SFP modules must be used in pairs (e.g., SFP-1G10ALC and SFP-1G10BLC)

**Note:** When connecting long distance SFP (SFP-ZX, EZX or EZX-120), please ensure at least 5 dB attenuation between both ends. Without attenuation, excessive optical power may damage the transceivers.

### Optical Fiber

	Gigabit Ethernet													
	SFP-SX	SFP-LSX	SFP-LX	SFP-LH	SFP-LHX	SFP-ZX	SFP-EZX	SFP-EZX-120	SFP-10A	SFP-10B	SFP-20A	SFP-20B	SFP-40A	SFP-40B
Wavelength	850 nm	1310 nm	1310 nm	1310 nm	1310 nm	1550 nm	1550 nm	1550 nm	TX 1310 nm, RX 1550 nm	TX 1550 nm, RX 1310 nm	TX 1310 nm, RX 1550 nm	TX 1550 nm, RX 1310 nm	TX 1310 nm, RX 1550 nm	TX 1550 nm, RX 1310 nm
Max. TX	-4 dBm	-1 dBm	-3 dBm	-2 dBm	1 dBm	5 dBm	5 dBm	3 dBm	-3 dBm		-2 dBm		2 dBm	
Min. TX	-9.5 dBm	-9 dBm	-9.5 dBm	-8 dBm	-4 dBm	0 dBm	0 dBm	-2 dBm	-9 dBm		-8 dBm		-3 dBm	
RX Sensitivity	-18 dBm	-19 dBm	-20 dBm	-23 dBm	-24 dBm	-24 dBm	-30 dBm	-33 dBm	-21 dBm		-23 dBm		-23 dBm	
Link Budget	8.5 dB	10 dB	10.5 dB	15 dB	20 dB	24 dB	30 dB	31 dB	12 dB		15 dB		20 dB	
Typical Distance	550 m <sup>a</sup>	2 km <sup>b</sup>	10 km <sup>c</sup>	30 km <sup>c</sup>	40 km <sup>c</sup>	80 km <sup>c</sup>	110 km <sup>c</sup>	120 km <sup>c</sup>	10 km <sup>c</sup>		20 km <sup>c</sup>		40 km <sup>c</sup>	
Saturation	0 dBm	-3 dBm	-3 dBm	-3 dBm	-3 dBm	-3 dBm	-3 dBm	-8 dBm	-1 dBm		-1 dBm		-1 dBm	

a. 50/125 μm, 400 MHz-km or 62.5/125 μm, 500 MHz-km @ 850 nm multi-mode fiber optic cable

b. 62.5/125 μm, 750 MHz-km @ 1310 nm multi-mode fiber optic cable

c. 9/125 μm single-mode fiber optic cable

**Note:** The actual communication distance depends on many factors, including connector loss, cable deployment, and the age of the cabling system. We recommend doing a link budget analysis and reserving a 3 dB margin for such factors.

### Environmental Limits

#### Operating Temperature:

Standard Models: 0 to 60°C (32 to 140°F)

Wide Temp. Models: -40 to 85°C (-40 to 185°F)

**Storage Temperature:** -40 to 85°C (-40 to 185°F)

**Ambient Relative Humidity:** 5 to 95% (non-condensing)

### Standards and Certifications

**Safety:** UL 60950-1, TÜV

**Marine:** DNV, GL, LR, NK

### Warranty

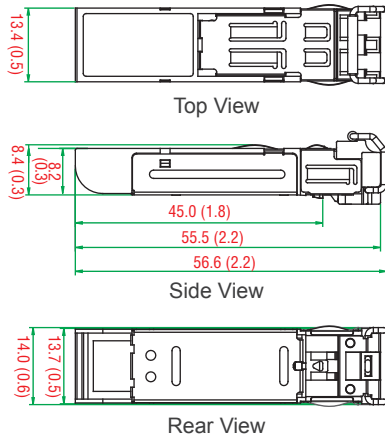
**Warranty Period:** 5 years

**Details:** See [www.moxa.com/warranty](http://www.moxa.com/warranty)

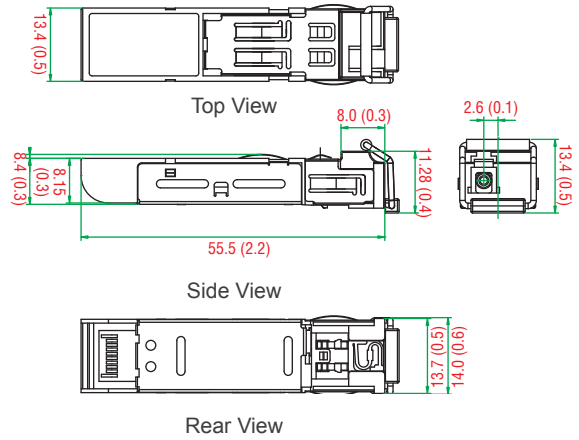
**Dimensions**

Unit: mm (inch)

**SFP-1G Series**



**SFP-1G Series (WDM Type)**



**: Ordering Information**

**SFP Modules**

Available Models		Port Interface							
Standard Temperature (0 to 60°C)	Wide Temperature (-40 to 85°C)	1000BaseSX, LC Connector, 0.5 km	1000BaseLSX, LC Connector, 2 km	1000BaseLX, LC Connector, 10 km	1000BaseLH, LC Connector, 30 km	1000BaseLHX, LC Connector, 40 km	1000BaseZX, LC Connector, 80 km	1000BaseZX, LC Connector, 110 km	1000BaseEZXC, LC Connector, 120 km
SFP-1GSXLC	SFP-1GSXLC-T*	1	-	-	-	-	-	-	-
SFP-1GLSXL	SFP-1GLSXL-T	-	1	-	-	-	-	-	-
SFP-1GLXL	SFP-1GLXL-T	-	-	1	-	-	-	-	-
SFP-1GLHLC	SFP-1GLHLC-T	-	-	-	1	-	-	-	-
SFP-1GLHXL	SFP-1GLHXL-T	-	-	-	-	1	-	-	-
SFP-1GZXL	SFP-1GZXL-T	-	-	-	-	-	1	-	-
SFP-1GEZXL	-	-	-	-	-	-	-	1	-
SFP-1GEZXL-120	-	-	-	-	-	-	-	-	1

\*SFP-1GSXLC-T: -20 to 75°C operating temperature

**WDM-type (BiDi) SFP Modules**

Available Models		Port Interface					
Standard Temperature (0 to 60°C)	Wide Temperature (-40 to 85°C)	1000BaseSFP, LC Connector, 10 km		1000BaseSFP, LC Connector, 20 km		1000BaseSFP, LC Connector, 40 km	
		TX 1310 nm, RX 1550 nm	TX 1550 nm, RX 1310 nm	TX 1310 nm, RX 1550 nm	TX 1550 nm, RX 1310 nm	TX 1310 nm, RX 1550 nm	TX 1550 nm, RX 1310 nm
SFP-1G10ALC	SFP-1G10ALC-T	1	-	-	-	-	-
SFP-1G10BLC	SFP-1G10BLC-T	-	1	-	-	-	-
SFP-1G20ALC	SFP-1G20ALC-T	-	-	1	-	-	-
SFP-1G20BLC	SFP-1G20BLC-T	-	-	-	1	-	-
SFP-1G40ALC	SFP-1G40ALC-T	-	-	-	-	1	-

**Available Models**

The SFP-1G series modules can be used with the following products:

ICS-G7850A/G7852A series, ICS-G7850/G7852 series, ICS-G7750A/G7752A series, ICS-G7750/G7752 series, IM-G7000A-4GSFP, IM-G7000-4GSFP, ICS-G7826A/G7828A series, ICS-G7826/G7828 series, ICS-G7526A/G7528A series, ICS-G7526/G7528 series, IKS-G6524A/G6824A series, IKS-G6524/G6824 series, IKS-6726A/6728A series, IKS-6726/6728 series, IM-2GSFP, EDS-611/619 series, EDS-G516E series, EDS-G512E series, EDS-G509 series, EDS-518A series, EDS-510A series, EDS-510E series, EDS-G308 series, EDS-210A series, IKS-6728A-8PoE series, IKS-6728-8PoE series, EDS-P510A-8PoE series, EDS-P510 series, EDS-G205A-4PoE series, PM-7200-2G/4G series, PM-7500-2G/4G series, PT-G7509 series, IMC-101G series, EDR-G903/G902 series, EDR-810 series, PT-7528 series

**Package Checklist**

- SFP-1G module
- Warranty card

# SFP-1FE Series

## 1-port Fast Ethernet SFP modules



- > IEEE 802.3u compliant
- > Differential PECL inputs and outputs
- > TTL signal detect indicator
- > Hot pluggable LC duplex connector
- > Class 1 laser product; complies with EN 60825-1



### Specifications

#### Interface

Ethernet Ports: 1

Connectors: Duplex LC Connector

#### Optical Fiber

	Fast Ethernet		
	SFP-M	SFP-S	SFP-L
Wavelength	1300 nm	1310 nm	1550 nm
Max. TX	-8 dBm	0 dBm	0 dBm
Min. TX	-18 dBm	-5 dBm	-5 dBm
RX Sensitivity	-34 dBm	-34 dBm	-34 dBm
Link Budget	26 dB	29 dB	29 dB
Typical Distance	4 km <sup>a</sup>	40 km <sup>b</sup>	80 km <sup>b</sup>
Saturation	0 dBm	-3 dBm	-3 dBm

a. 50/125 μm or 62.5/125 μm, 800 MHz \* km @ 1300 nm multi-mode fiber optic cable

b. 9/125 μm single-mode fiber optic cable

#### Environmental Limits

Operating Temperature: -40 to 85°C (-40 to 185°F)

Storage Temperature: -40 to 85°C (-40 to 185°F)

Ambient Relative Humidity: 5 to 95% (non-condensing)

#### Standards and Certifications

Safety: UL 60950-1, TÜV

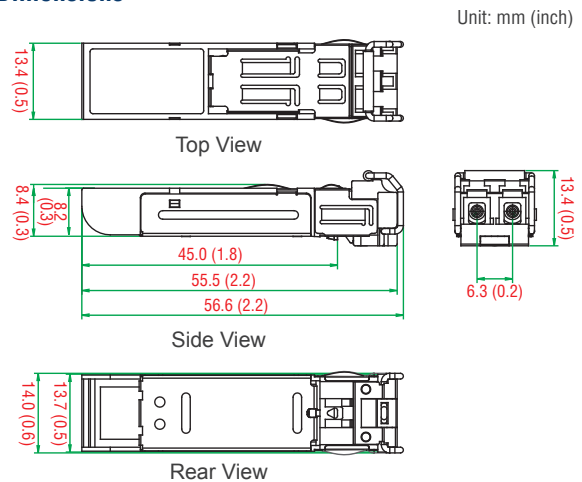
Marine: DNV, GL, LR, NK

#### Warranty

Warranty Period: 5 years

Details: See [www.moxa.com/warranty](http://www.moxa.com/warranty)

#### Dimensions



### Ordering Information

Available Models	Port Interface			
	Wide Temperature (-40 to 85°C)	100BaseFX, Multi-mode, LC Connector, 4 km	100BaseFX, Single-mode, LC Connector, 40 km	100BaseFX, Single-mode, LC Connector, 80 km
SFP-1FEMLC-T		1	-	-
SFP-1FESLC-T		-	1	-
SFP-1FELLC-T		-	-	1

#### Available Models

The SFP-1FE series modules can be used with the following products:

IM-G7000A-4GSFP, IM-G7000-4GSFP, ICS-G7826A/ G7828A series, ICS-G7826/G7828 series, ICS-G7526A/G7528A series, ICS-G7526/G7528 series, IKS-G6524A/G6824A series, IKS-G6524/G6824 series, IKS-6726A/6728A series, IKS-6726/6728 series, IM-6700A-8SFP, IM-6700-8SFP, EDS-611/619 series, EDS-G516E series, EDS-G512E series, EDS-G509 series, EDS-510E series, EDS-G308-2SFP, EDS-210A series, IKS-6728A-8PoE series, IKS-6728-8PoE series, EDS-P510A-8PoE series, EDS-P510 series, PM-7200-8SFP, EDR-G903/G902 series, PT-7528 series, PT-G7509 series, PM-7500-2GTXSFP, PM-7500-4GTXSFP

#### Package Checklist

- SFP-1FE module
- Warranty card