



tM-C8

8-channel Isolated Digital Output Module

Introduction

The tM-C8 provides 8 channels for digital output, each of which features photocouple isolation. The tM-C8 supports sink type output with short circuit protection and there are options for configuring power-on and safe digital output values. 4 kV ESD protection and 3750 V_{oc} intra-module isolation are also provided.

Applications

- All kinds of On/Off Control
- Industry Automation
- Industrial Machinery
- Building Automation
- Food & Beverage Systems
- Semiconductor Fabrication
- Control Systems

System Specifications

Communication	
Interface	RS-485
Format	(N, 8, 1), (N, 8, 2), (O, 8, 1), (E, 8, 1)
Baud Rate	1200 ~ 115200 bps
Protocol	DCON, Modbus/RTU, Modbus/ASCII
Dual Watchdog	Yes, Module (2.3 seconds), Communication (Programmable)
LED Indicators	
Power	1 LED as Power Indicator
Isolation	
Intra-module Isolation, Field-to-Logic	3750 V _{oc}
EMS Protection	
ESD (IEC 61000-4-2)	±4 kV Contact for each terminal ±8 kV Air for random point
EFT (IEC 61000-4-4)	±4 kV for Power
Power Requirements	
Reverse Polarity Protection	Yes
Powered from Terminal Block	Yes, 10 ~ 30 V _{dc}
Consumption	0.5 W max.
Mechanical	
Dimensions (W x L x H)	52 mm x 98 mm x 27 mm
Installation	DIN-Rail Mounting
Environment	
Operating Temperature	-25 ~ +75 °C
Storage Temperature	-30 ~ +75 °C
Humidity	10 ~ 95% RH, non-condensing

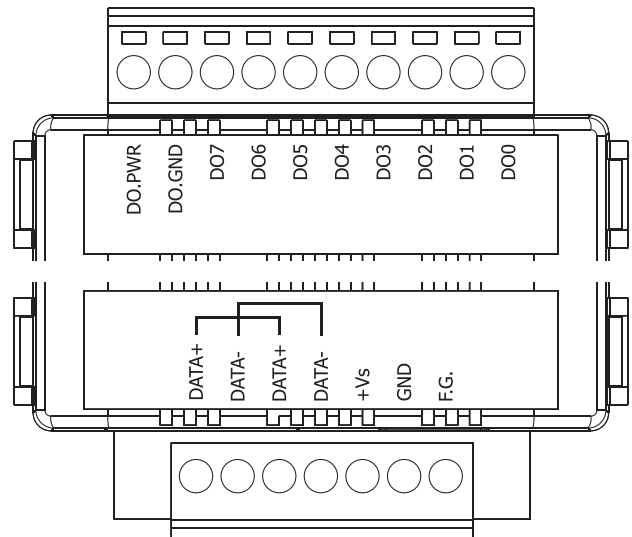
Digital Output

Features

- Sink Type Digital Outputs
- Photocouple Isolation
- Dual Watchdog
- Configurable Power-on Value Settings
- Configurable Safe Value Settings
- Cost-effective
- Wide Operating Temperature Range: -25 °C ~ +75 °C



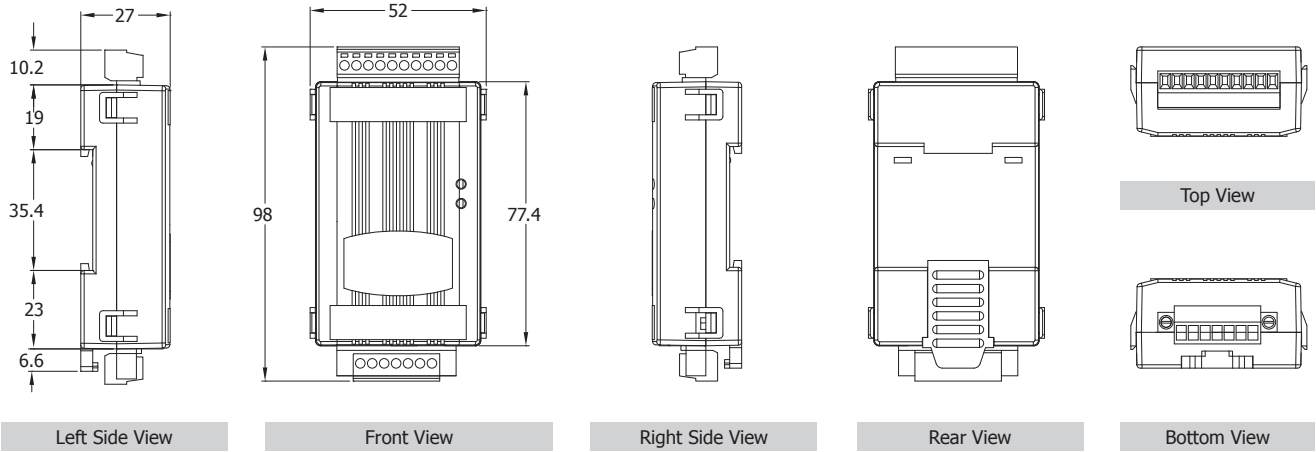
Pin Assignments



I/O Specifications

Digital Output	
Output Channels	8
Type	Isolated Open Collector (Sink)
Max Load Current	700 mA/channel
Load Voltage	3.5 V _{dc} ~ 50 V _{dc}
Overvoltage Protection	60 V _{dc}
Overload Protection	1.4 A
Short Circuit Protection	Yes
Power-on Value	Yes, Programmable
Safe Value	Yes, Programmable

Dimensions (Unit: mm)



2

Tiny RS-485 Remote I/O Modules

Wire Connection

Output Type	ON State Readback as 1	OFF State Readback as 0						
	Relay ON	Relay OFF						
Drive Relay	<table border="1"> <tr><td>DO.PWR</td></tr> <tr><td>DOx</td></tr> <tr><td>DO.GND</td></tr> </table>	DO.PWR	DOx	DO.GND	<table border="1"> <tr><td>DO.PWR</td></tr> <tr><td>DOx</td></tr> <tr><td>DO.GND</td></tr> </table>	DO.PWR	DOx	DO.GND
DO.PWR								
DOx								
DO.GND								
DO.PWR								
DOx								
DO.GND								
Resistance Load	<table border="1"> <tr><td>DO.PWR</td></tr> <tr><td>DOx</td></tr> <tr><td>DO.GND</td></tr> </table>	DO.PWR	DOx	DO.GND	<table border="1"> <tr><td>DO.PWR</td></tr> <tr><td>DOx</td></tr> <tr><td>DO.GND</td></tr> </table>	DO.PWR	DOx	DO.GND
DO.PWR								
DOx								
DO.GND								
DO.PWR								
DOx								
DO.GND								

3

tM Series

Ordering Information

tM-C8 CR	8-channel Isolation Digital Output Module (RoHS)
----------	--

Related Products

	tM-7561 CR	Isolated USB to RS-485 Converter (RoHS)		tM-7510U CR	Isolated RS-485 Repeater (RoHS)
	tM-7520U CR	Isolated RS-232 to RS-485 Converter (RoHS)		MDR-20-24 CR	24W Single Output Industrial DIN Rail Power Supply (RoHS)

tM-C8