



Model:M-7051D

M-7051D

16-channel Isolated Digital Input Module
M-7051D : M-7051 with LED Display

Features

- Channel: 16
- Digital Input status
- Dry contact:
logic level 0: close to GND
logic level 1: open
- Wet contact:
logic level 0: +4V max.
logic level 1: +10V to +50V
- Effective distance for dry contact: 500M max.
- D/I can be used as counter channels:
16 Input Frequency : 100Hz
16-bit : 0~6,5535
- Optical Isolation: 3750 Vrms
- Over-voltage Protect: 70 Vdc
- I/O Connector Type: 13-pin plug-terminal*2

Communication Interface

- RS-485

Power Supply

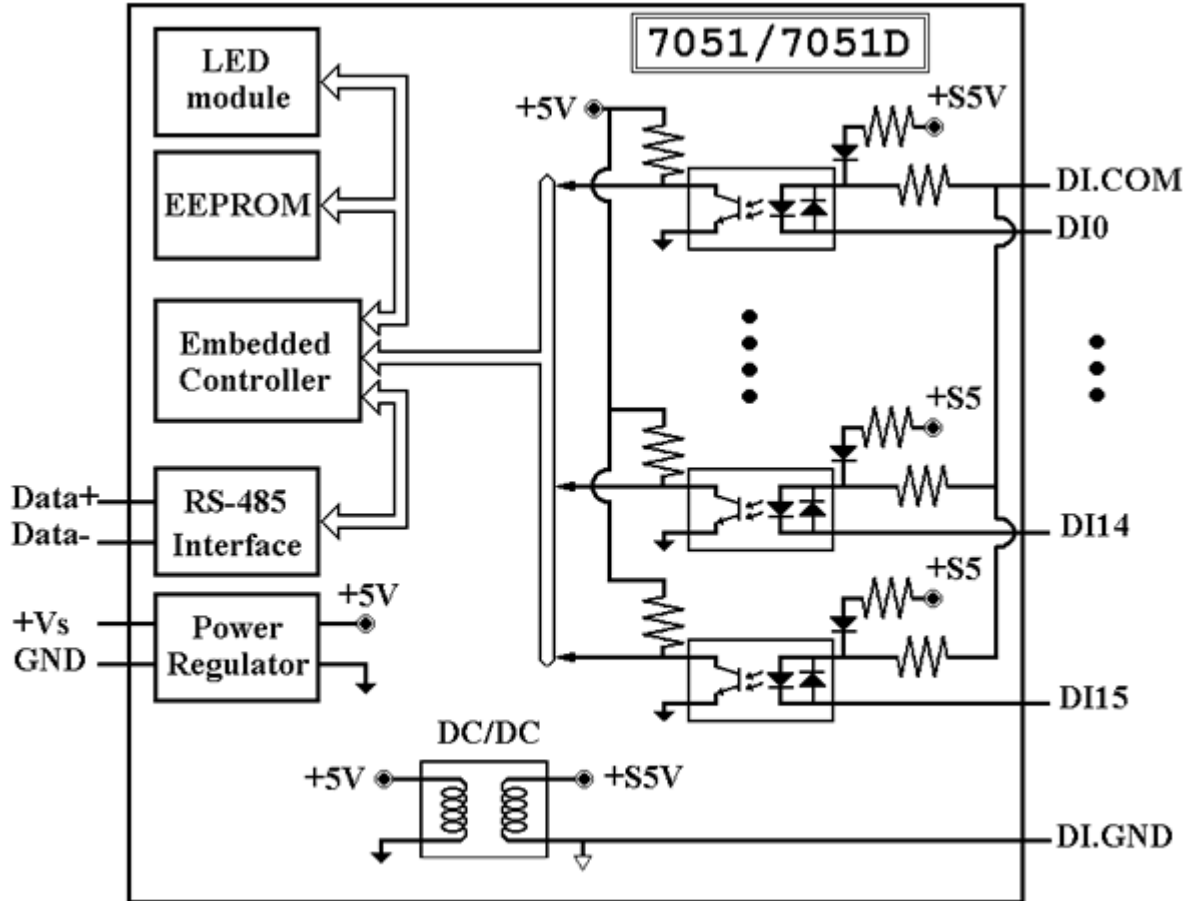
- Input Power: 10~30Vdc
- Consumption :
0.6W(Max) for M-7051
1.5W(Max) for M-7051D

Ordering Information

M-7051	16-channel isolated Digital Input Module
M-7051D	16-channel Isolated Digital Input Module with Display
M-7051 CR	16-channel isolated Digital Input Module (RoHS)
M-7051D CR	16-channel Isolated Digital Input Module with Display (RoHS)

M-7051D Hardware

Internal I/O Structure



Wire Connection

