

EDS-P206A-4PoE Series

6-port IEEE 802.3af/at PoE+ unmanaged Ethernet switches



- > 4 IEEE 802.3af/at compliant PoE and Ethernet combo ports
- > Up to 30 watts per PoE port
- > 24/48 VDC wide range redundant power inputs
- > Intelligent power consumption detection and classification
- > Redundant dual VDC power inputs
- > -40 to 75°C operating temperature range (T models)



Introduction

The EDS-P206A-4PoE switches are smart, 6-port, unmanaged Ethernet switches supporting PoE (Power-over-Ethernet) on ports 1 to 4. The switches are classified as power source equipment (PSE), and when used in this way, the EDS-P206A-4PoE switches enable centralization of the power supply and provide up to 30 watts of power per port. The

switches can be used to power IEEE 802.3af/at compliant powered devices (PD), eliminating the need for additional wiring, and support IEEE 802.3/802.3u/802.3x with 10/100M, full/half-duplex, MDI/MDI-X auto-sensing to provide an economical solution for your industrial Ethernet network.

Specifications

Technology

Standards:

- IEEE 802.3af/at for Power-over-Ethernet
- IEEE 802.3 for 10BaseT
- IEEE 802.3u for 100BaseT(X)
- IEEE 802.3x for Flow Control

Processing Type: Store and Forward

Flow Control: IEEE 802.3x flow control, back pressure flow control

Switch Properties

MAC Table Size: 1 K

Packet Buffer Size: 512 KB

Interface

Fiber Ports: 100BaseFX ports (SC/ST connector)

RJ45 Ports: 10/100BaseT(X) auto negotiation speed, Full/Half duplex mode, and auto MDI/MDI-X connection

LED Indicators: PWR1, PWR2, 10/100M, PoE

Optical Fiber

	100BaseFX	
	Multi-mode	Single-mode
Wavelength	1300 nm	1310 nm
Max. TX	-10 dBm	0 dBm
Min. TX	-20 dBm	-5 dBm
RX Sensitivity	-32 dBm	-34 dBm
Link Budget	12 dB	29 dB
Typical Distance	5 km ^a 4 km ^b	40 km ^c
Saturation	-6 dBm	-3 dBm

- a. 50/125 μm, 800 MHz*km fiber optic cable
- b. 62.5/125 μm, 500 MHz*km fiber optic cable
- c. 9/125 μm single-mode fiber optic cable

Power Requirements

Input Voltage: 24/48 VDC

Input current: Max 7.5 A @ 24 VDC (supports up to 4 ports at 30 watts per PoE port)

Overload Current Protection: Present

Connection: 1 removable 4-contact terminal block

Reverse Polarity Protection: Present

Physical Characteristics

Housing: Metal, IP30 protection

Dimensions: 50 × 115 × 70 mm (1.96 × 4.52 × 2.76 in)

Weight: 375 g

Installation: DIN-Rail mounting, wall mounting (with optional kit)

Environmental Limits

Operating Temperature:

Standard Models: 0 to 60°C (32 to 140°F)

Wide Temp. Models: -40 to 75°C (-40 to 167°F)

Storage Temperature: -40 to 85°C (-40 to 185°F)

Ambient Relative Humidity: 5 to 95% (non-condensing)

Regulatory Approvals

Safety: UL508 (Pending)

EMI: FCC Part 15, CISPR (EN55022) class A

EMS:

EN61000-4-2 (ESD), level 3; EN61000-4-3 (RS), level 3;

EN61000-4-4 (EFT), level 4; EN61000-4-5 (Surge), level 4;

EN61000-4-6 (CS), level 3; EN61000-4-8

Shock: IEC 60068-2-27

Freefall: IEC 60068-2-32

Vibration: IEC 60068-2-6

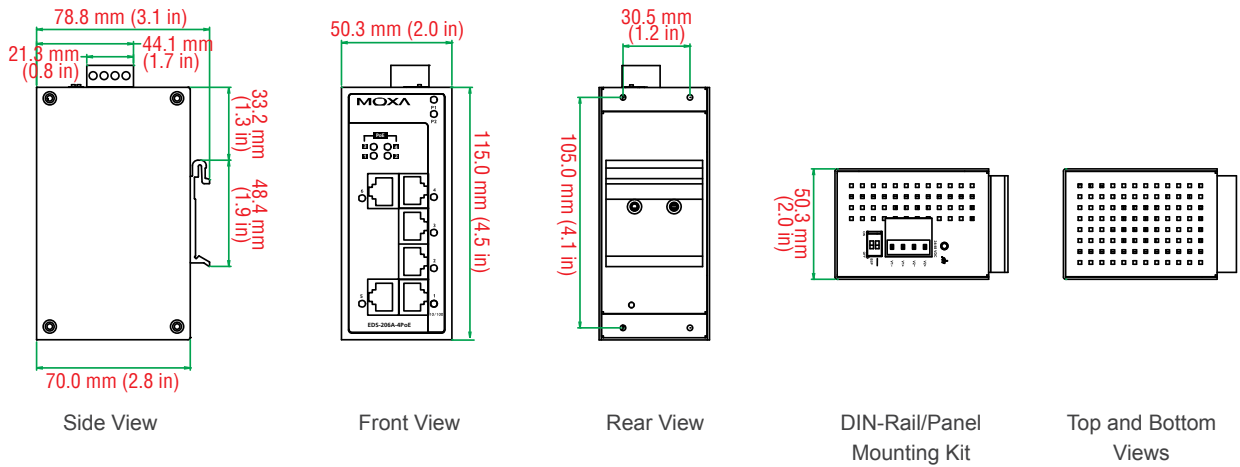
Note: Please check Moxa's website for the most up-to-date certification status.

Warranty

Warranty Period: 5 years

Details: See www.moxa.com/warranty

Dimensions



Ordering Information

Available Models		Port Interface			
Standard Temperature (0 to 60°C)	Wide Temperature (-40 to 75°C)	10/100BaseT(X)	100BaseFX		
			Multit-mode, SC Connector	Multit-mode, ST Connector	Single-mode, SC Connector
EDS-P206A-4PoE	EDS-P206A-4PoE-T	6	-	-	-
EDS-P206A-4PoE-M-SC	EDS-P206A-4PoE-M-SC-T	5	1	-	-
EDS-P206A-4PoE-M-ST	EDS-P206A-4PoE-M-ST-T	5	-	1	-
EDS-P206A-4PoE-MM-SC	EDS-P206A-4PoE-MM-SC-T	4	2	-	-
EDS-P206A-4PoE-MM-ST	EDS-P206A-4PoE-MM-ST-T	4	-	2	-
EDS-P206A-4PoE-S-SC	EDS-P206A-4PoE-S-SC-T	5	-	-	1
EDS-P206A-4PoE-SS-SC	EDS-P206A-4PoE-SS-SC-T	4	-	-	2

Optional Accessories (can be purchased separately)

SPL-24: PoE splitter, maximum output of 12.95 W at 24 VDC, 0 to 60°C operating temperature (see page 1-61 for details)

SPL-24-T: PoE splitter, maximum output of 12.95 W at 24 VDC, -40 to 75°C operating temperature (see page 1-61 for details)

DR-75-48/120-48: 75W/120W DIN-Rail 48 VDC power supplies

WK-46: Wall mounting kit

RK-4U: 4U-high 19" rack mounting kit