



Introduction

The ET-7067, a web-based Ethernet I/O module, features a built-in web server, which allows configuration, I/O monitoring and I/O control by simply using a regular web browser. Besides, with the web HMI function, no more programming or HTML skills are needed: creating dynamic and attractive web pages for I/O monitoring and I/O control would be fun to engineers ever after. The ET-7067 offers easily and safely access for users from anytime and anywhere! In addition, the ET-7067 also supports Modbus/TCP protocol that makes perfect integration for ET-7067 to SCADA software.

The ET-7067 provides 8 power relay (form A) output channels. Each power relay supports contact rating as 5 A @ 250 V_{AC} or 5 A @ 30 V_{DC}.

I/O Specifications

Relay Output		
Output Channels	8	
Output Type	Power Relay, Form A (SPST N.O.)	
Contact Rating	5.0 A @ 250 V _{AC} , 5.0 A @ 30 V _{DC}	
Operate Time	6 ms	
Release Time	3 ms	
Electrical Life (Resistive Load)	VDE	5A 250 V _{AC} 30,000 ops (10 ops/minute) at 75 °C 5A 30 V _{DC} 70,000 ops (10 ops/minute) at 75 °C
	UL	5A 250 V _{AC} /30 V _{DC} 6,000 ops.
		3A 250 V _{AC} /30 V _{DC} 100,000 ops.
Mechanical Life	20,000,000 ops. at no load (300 ops./minute)	

Relay Output

Features

- Built-in Web Server
- Communication Security
- Modbus/TCP Protocol
- 2-way Isolation/ESD Protection
- Built-in Dual Watchdog
- 10/100 Base-TX Ethernet
- I/O Pair Connection
- DO Type: 8 Power Relay (Form A)



Applications

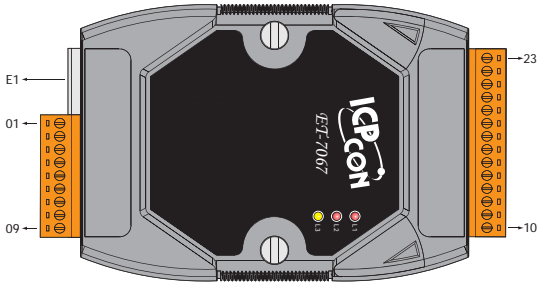
Building Automation, Factory Automation, Machine Automation, Remote Maintenance, Remote diagnosis, Testing Equipment.

System Specifications

System	
CPU	80186 CPU (80 MHz)
SRAM	512 KB
Flash Memory	512 KB
EEPROM	16 KB
Dual Watchdog	Yes
Communication	
Ethernet Port	10/100 Base-TX (With link, activity led indicator) and auto MDI/MDI-X
2-Way Isolation	
Ethernet	1500 V _{ms}
Relay Output	3000 V _{ms}
LED Display	L1 LED as run indicator
	L2 LED as Link/Act indicator
	L3 LED as 10/100M indicator
Power Requirements	
Protection	Power reverse polarity protection
Required Supply Voltage	+10 V _{DC} ~ +30 V _{DC} (non-regulated)
Power Consumption	0.14 A @ 24 V _{DC} Max.
Mechanical	
Dimensions (W x H x D)	72 mm x 123 mm x 35 mm
Installation	DIN-Rail or Wall mounting
Environment	
Operating Temperature	-25 °C ~ +75 °C
Storage Temperature	-30 °C ~ +80 °C
Humidity	5 ~ 90% RH, non-condensing

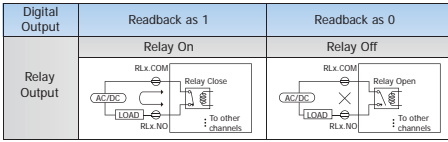
Pin Assignment

Terminal No.	Pin Assignment
E1	RJ-45
01	RL6 NO
02	RL6 COM
03	RL7 NO
04	RL7 COM
05	N/A
06	(R) +Vs
07	(B)GND
08	(R) +Vs
09	(B)GND

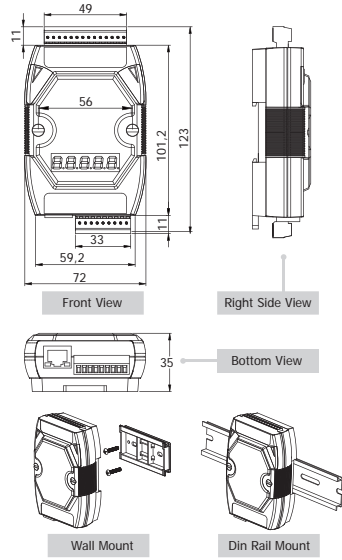


Terminal No.	Pin Assignment
23	RL5 COM
22	RL5 NO
21	RL4 COM
20	RL4 NO
19	RL3 COM
18	RL3 NO
17	RL2 COM
16	RL2 NO
15	RL1 COM
14	RL1 NO
13	RL0 COM
12	RL0 NO
11	N/A
10	N/A

Wire Connection



Dimensions (Unit: mm)



Ordering Information

ET-7067 CR	8-channel Power Relay Output Module (RoHS)
------------	--

Accessories

GPSU06U-6	24V/0.25A, 6 W Power Supply
MDR-20-24	24V/1A, 24 W Power Supply with DIN-Rail Mounting
NS-205 CR	Unmanaged 5-Port Industrial Ethernet Switch (RoHS)