



IEI Technology Corp .



MODEL:

IOVU-751R-CE5/UX-R10

Panel PC with 7" Touch Screen and 500 MHz RMI Alchemy™ Au1250™ media processor, PoE, Ethernet, 2 USB, RS-232, RS-232/422/485, RoHS Compliant, IP 64 Protection

User Manual



Rev. 1.01 30 July, 2009



Revision

Date	Version	Changes
30 July, 2009	1.01	Minor edit
9 January, 2009	1.00	Initial release

Copyright

COPYRIGHT NOTICE

The information in this document is subject to change without prior notice in order to improve reliability, design and function and does not represent a commitment on the part of the manufacturer.

In no event will the manufacturer be liable for direct, indirect, special, incidental, or consequential damages arising out of the use or inability to use the product or documentation, even if advised of the possibility of such damages.

This document contains proprietary information protected by copyright. All rights are reserved. No part of this manual may be reproduced by any mechanical, electronic, or other means in any form without prior written permission of the manufacturer.

TRADEMARKS

All registered trademarks and product names mentioned herein are used for identification purposes only and may be trademarks and/or registered trademarks of their respective owners.

Packing List



NOTE:

If any of the components listed in the checklist below are missing, please do not proceed with the installation. Contact the IEI reseller or vendor you purchased the IOVU-751R-CE5/UX-R10 from or contact an IEI sales representative directly. To contact an IEI sales representative, please send an email to sales@iei.com.tw.

The items listed below should all be included in the IOVU-751R-CE5/UX-R10 package.

- 1 x IOVU-751R-CE5/UX-R10
- 1 x Utility CD including SDK, utilities, and technical documentation
- 1 x Null modem cable
- 1 x Power cable
- 1 x Touch pen

Images of the above items are shown in **Chapter 3**.

Table of Contents

1 INTRODUCTION.....	1
1.1 IOVU-751R-CE5/UX-R10 OVERVIEW	2
1.1.1 IOVU-751R-CE5/UX-R10 Benefits.....	2
1.1.2 IOVU-751R-CE5/UX-R10 Features	3
1.1.3 Technical Specifications.....	4
1.2 CERTIFICATIONS	5
2 DETAILED SPECIFICATIONS	6
2.1 MECHANICAL OVERVIEW	7
2.1.1 Front Panel	7
2.1.2 Connector Panel	7
2.1.3 Physical Dimensions.....	8
2.2 INTERNAL OVERVIEW.....	9
2.2.1 KAMIO-1252 Overview Photo.....	9
2.2.1.1 KAMIO-1252 Peripheral Connectors and Jumpers.....	10
2.2.1.2 KAMIO-1252 Technical Specifications.....	11
2.3 LCD SPECIFICATIONS.....	12
2.4 TOUCH PANEL SPECIFICATIONS	12
2.5 MULTIMEDIA CAPABILITIES.....	13
2.6 POWER SUPPLY	14
3 UNPACKING	15
3.1 ANTI-STATIC PRECAUTIONS	16
3.2 UNPACKING.....	16
3.2.1 Unpacking Precautions.....	16
3.3 UNPACKING CHECKLIST	17
3.3.1 Package Contents.....	17
3.4 OPTIONAL ITEMS	18
4 INSTALLATION	20
4.1 INSTALLATION PRECAUTIONS	21

4.2 EXTERNAL PERIPHERAL INTERFACE CONNECTORS.....	21
4.2.1 DC Power interfaces.....	22
4.2.1.1 6V~30V DC Terminal Block	22
4.2.1.2 12V DC-In.....	23
4.2.2 Serial Interfaces.....	23
4.2.2.1 RS-232 Serial Interface Pinouts.....	23
4.2.2.2 RS-232/422/485 Serial Interface Pinouts.....	24
4.2.2.3 Connecting the Serial Port	26
4.2.3 USB Connectors.....	26
4.2.3.1 USB Pinouts.....	26
4.2.3.2 USB Connection (Dual Connector)	27
4.2.4 Ethernet Connector.....	28
4.2.4.1 Ethernet Connector Pinouts	28
4.2.4.2 LAN Connection.....	29
4.3 MOUNTING THE SYSTEM	30
4.3.1 Wall Mounting.....	30
4.3.2 Panel Mounting.....	33
4.3.3 Arm Mounting	35
4.3.4 Stand Mounting.....	36
4.4 SOFTWARE.....	37
A CERTIFICATIONS	39
A.1 RoHS COMPLIANT	40
A.2 IP 64 COMPLIANT FRONT PANEL	40
B SAFETY PRECAUTIONS	41
B.1 SAFETY PRECAUTIONS.....	42
B.1.1 General Safety Precautions.....	42
B.1.2 Anti-static Precautions	43
B.2 MAINTENANCE AND CLEANING PRECAUTIONS	43
B.2.1 Maintenance and Cleaning.....	43
B.2.2 Cleaning Tools.....	44
C HAZARDOUS MATERIALS DISCLOSURE	46
C.1 HAZARDOUS MATERIALS DISCLOSURE TABLE FOR IPB PRODUCTS CERTIFIED AS ROHS COMPLIANT UNDER 2002/95/EC WITHOUT MERCURY	47

List of Figures

Figure 1-1: IOVU-751R-CE5/UX-R10 Open	2
Figure 2-1: Front Panel	7
Figure 2-2: IOVU-751R-CE5/UX-R10 Peripheral Connectors.....	8
Figure 2-3: IOVU-751R-CE5/UX-R10 Physical Dimensions (millimeters).....	9
Figure 2-4: KAMIO-1252 Overview [Front View].....	10
Figure 4-1: IOVU-751R-CE5/UX-R10 Peripheral Connectors.....	22
Figure 4-2: Power Terminal Block.....	23
Figure 4-3: Serial Port Pinouts	25
Figure 4-4: Serial Port Mode Setting.....	25
Figure 4-5: Serial Device Connector.....	26
Figure 4-6: USB Connector.....	27
Figure 4-7: Ethernet Connector.....	28
Figure 4-8: LAN Connection	29
Figure 4-9: Wall-mounting Bracket.....	31
Figure 4-10: Chassis Support Screws.....	32
Figure 4-11: Secure the IOVU-751R	32
Figure 4-12: IOVU-751R-CE5/UX-R10 Panel Opening (mm)	34
Figure 4-13: Panel Mounting Clamp	34
Figure 4-14: Tighten the Panel Mounting Clamp Screws	35
Figure 4-15: Arm Mounting Retention Screw Holes.....	36
Figure 4-16: Stand Mounting.....	37

List of Tables

Table 1-1: Technical Specifications.....	5
Table 2-1: Technical Specifications.....	12
Table 2-2: IOVU-751R-CE5/UX-R10 LCD Specifications	12
Table 2-3: Touch Panel Specifications	13
Table 3-1: Package List Contents	17
Table 3-2: Optional Items	19
Table 4-1: External Interface Connectors.....	22
Table 4-2: 9~36V Power Connector Pinouts	23
Table 4-3: DC 6-30V Connector Pinouts.....	23
Table 4-4: RS-232 Pinouts	24
Table 4-5: Serial Port Pinouts.....	24
Table 4-6: USB Connector Pinouts	27
Table 4-7: Ethernet Connector Pinouts	28
Table 4-8: Ethernet Connector LEDs	29

Chapter

1

Introduction

1.1 IOVU-751R-CE5/UX-R10 Overview



Figure 1-1: IOVU-751R-CE5/UX-R10 Open

The IOVU series industrial CE touch-screen open offers both the reliability of a traditional and the flexibility of a PC. With an open, the user is able to run their own or third party software. Furthermore, the IOVU series is designed for use as a thin client device in a remote terminal environment. The IOVU series is powered by an open Windows CE .NET 5.0 OS with rich application development support and connectivity to network and I/O devices.

The IOVU-751R-CE5/UX-R10 features a low power (less than 0.5 Watts) 500 MHz RMI Alchemy™ Au1250™ media processor with an integrated media acceleration engine (MAE) that supports MPEG 1, MPEG 2, MPEG 4, WMV 9 and DivX video file formats.

1.1.1 IOVU-751R-CE5/UX-R10 Benefits

Some of the IOVU-751R-CE5/UX-R10 benefits include:

- An Open design to provide both open architectures for hardware and software.
- Designed to fill the gap between traditional products and industrial PCs to offer traditional reliability and PC flexibility.
- Offers increased functionality and flexibility over traditional s at a lower cost than industrial PCs.

IOVU-751R-CE5/UX-R10 User Manual

- Enables users to configure the product for a particular application by accessing the operating system and scaling it to meet their needs.
- Rugged, compact, operates over wide temperature variations, and low power consumption embedded hardware design without failure-prone hard disk and fan.
- Standard peripheral connectors including Ethernet port, serial ports, USB ports, Secure Digital memory, and touch input.
- Open architecture to run user or third party application software.
- Thin client device application in a remote terminal environment.
- The Ethernet port helps system administrators secure and separate network segments by field applications as well as communications to back-end legacy systems and central databases.
- Powered by popular open Windows CE. NET embedded hard real-time operating system provides rich Windows-based functions and application software development support.
- PoE (Power over Ethernet) capability reduces communications and power supply to a single CAT5e cable.
- Utilities and Remote Management Tools make it easy to manage the IOVU centrally and remotely.

1.1.2 IOVU-751R-CE5/UX-R10 Features

The IOVU-751R-CE5/UX-R10 features are listed below:

- Embedded low power (less than 0.5 Watts) 500 MHz RMI Alchemy™ Au1250™ media processor
- 2 MB Boot Flash
- On-board 256 MB DDR2
- 1 GB Secure Digital (SD) plug and play (PnP) storage
- Supports MPEG 1, MPEG 2, MPEG 4 and WMV 9 video file formats
- One high performance 10/100 Mb/s Ethernet connector
- One high performance 10/100 Mb/s Ethernet connector with PoE (Power over Ethernet) capability (complies with IEEE 802.3af PoE specifications)
- Two USB 2.0 ports
- One RS-232 serial communication connection
- One RS-232/422/485 serial communication connection

- Two 1.5 Watt speakers
- 7" color active matrix TFT display
- 4-wire resistive touch panel
- 6-30 VDC input
- Cool grey frame
- RoHS compliant

1.1.3 Technical Specifications

The IOVU-751R-CE5/UX-R10 technical specifications are listed in **Table 1-1**.

SPECIFICATIONS	
SYSTEM	
CPU	500 MHz RMI Alchemy™ Au1250™ media processor
Memory	2MB boot flash 256 MB DDR2 1 GB Secure Digital® card (internal)
Real-time Clock	Battery backup RTC
Watchdog Timer	Software programmable supports 1~255 sec. system reset
Reset	Reset Button
DISPLAY	
Display Type	Color active matrix TFT
Display Size	7"
Resolution	800 x 480, 262K color graphics
Video Support	MPEG1, MPEG2, MPEG4, DivX, WMV9
Brightness	400 cd/m ²
Touch Panel	4-wired resistive touch panel
I/O and COMMUNICATION	
Ethernet	2 x 10/100 Mbps
Serial Ports	1 x RS-232 1 x RS-232/422/485

SPECIFICATIONS	
USB Interfaces	2 x USB 2.0 host connectors
Audio	2 x 1.5 Watt speakers
POWER	
Power Supply	6-30 VDC
Power Consumption	8.5 W
ENVIRONMENTAL and MECHANICAL	
Operating Temperature	Minimum: -20°C (-4°F) Maximum: 60°C (140°F)
Humidity	5%RH to 90%RH (non-condensing)
Vibration	Operating Random Vibration Mode (MIL-STD-810F 514.5C-3) 1.Axes: 3 axes (Vertical / Transverse / Longitudinal). 2.10-500 Hz, 60min/axis. 3.Equivalent to Z:2.18 Grms X:1.6 Grms Y:1.96 Grms
Front Panel Color	Gray (Pantone 7543C)
Physical Dimensions	312.5 mm x 242.6 mm x 65.1 mm (width x length x depth)
Ingress Protection	IP 64 compliant front panel

Table 1-1: Technical Specifications

1.2 Certifications

All IOVU-751R-CE5/UX-R10 series models comply with the following international standards:

- RoHS
- IP 64

For a more detailed description of these standards, please refer to **Appendix A**.



Chapter

2

Detailed Specifications

2.1 Mechanical Overview

2.1.1 Front Panel

The IOVU-751R-CE5/UX-R10 front panel (**Figure 2-1**) comprises a 7" TFT WVGA 16-bit color touch screen LCD in an ABS+PC plastic frame.



Figure 2-1: Front Panel

2.1.2 Connector Panel

All external peripheral interface connectors are located on the bottom panel of the IOVU-751R-CE5/UX-R10. The peripheral interface connectors are shown in **Figure 2-2**.



Figure 2-2: IOVU-751R-CE5/UX-R10 Peripheral Connectors

External peripheral interface connectors on the IOVU-751R-CE5/UX-R10 include:

- 1 x DC-IN power socket
- 1 x DC-IN bare wire terminal block
- 1 x Power switch
- 2 x RJ-45 LAN connectors (one supports PoE)
- 1 x RS-232 connector
- 1 x RS-232/422/485 connector
- 2 x USB connectors

2.1.3 Physical Dimensions

The physical dimensions of the IOVU-751R-CE5/UX-R10 are shown in **Figure 2-3** and listed below:

- **Front Panel:** 226mm (W) x140mm (H) x 15.68mm (D)
- **Cabinet:** 213.55mm (W) x 125.27mm (H) x 24mm (D)

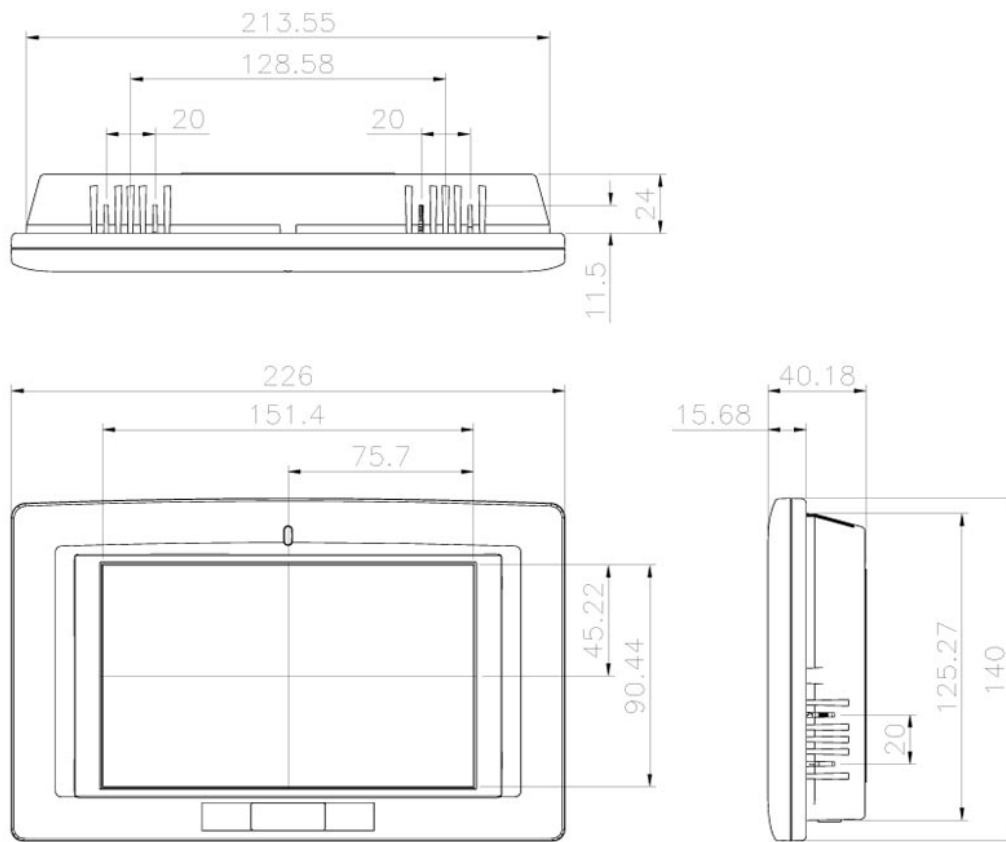


Figure 2-3: IOVU-751R-CE5/UX-R10 Physical Dimensions (millimeters)

2.2 Internal Overview

Internally the IOVU-751R-CE5/UX-R10 has a KAMIO-1252 embedded RISC (reduced instruction set computer) motherboard installed. An onboard Secure Digital card is also preinstalled onto the KAMIO-1252.

Some of the specifications for the KAMIO-1252 are listed below. For more detailed information, please refer to the KAMIO-1252 user manual.

2.2.1 KAMIO-1252 Overview Photo

The KAMIO-1252 has a wide variety of internal and external peripheral connectors. A labeled photo of the front side of the KAMIO-1252 is shown in **Figure 2-4**.

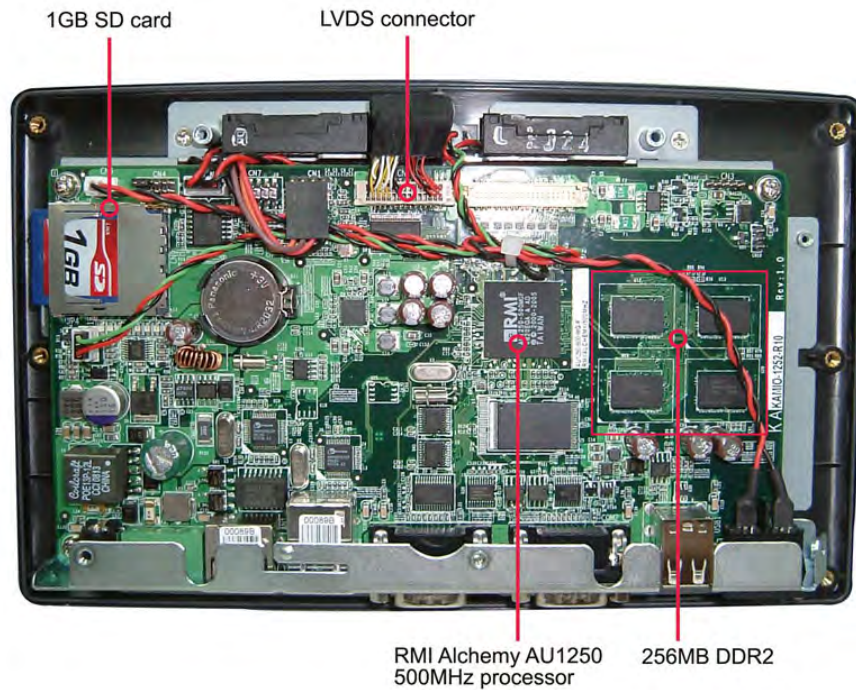


Figure 2-4: KAMIO-1252 Overview [Front View]

2.2.1.1 KAMIO-1252 Peripheral Connectors and Jumpers

The KAMIO-1252 has the following internal connectors and jumpers onboard:

- 1 x Audio connector
- 1 x Power LED connector
- 1 x Power switch connector
- 1 x PIC debug connector
- 1 x TTL LCD interface connector
- 1 x CPU JTAG connector
- 1 x LVDS LCD connector
- 1 x SD/SDIO/MMC connector
- 1 x Touch panel connector
- 1 x UIP debug connector
- 1 x Speaker-out connector

The KAMIO-1252 has the following external peripheral interface connectors on the bottom panel

IOVU-751R-CE5/UX-R10 User Manual

- 1 x 10/100-BaseT Ethernet connector
- 1 x 10/100-BaseT Ethernet connector with PoE capability
- 1 x 12V DC-in power socket
- 1 x 6-30V DC-in bare wire terminal block
- 1 x RS-232 serial port connector
- 1 x RS-232/422/485 serial port connector
- 2 x USB port connectors

2.2.1.2 KAMIO-1252 Technical Specifications

KAMIO-1252 technical specifications are listed below.

Specification	Value
System	500 MHz RMI Alchemy™ Au1250™ 2 MB boot flash 256 MB DDR2 1 GB secure digital (SD) card for OS/Program storage Battery backup RTC Watchdog timer Reset button JTAG pin-header
Display	Dual LCD Interface supports 24-bit single channel LVDS and TTL LCD panel interface 24-bit color graphics resolutions up to 800 x 480 pixels MPEG-1, MPEG-2, MPEG-4, WMV 9, and DivX support 4-wire touch resistive interface
I/O and Communications	1 x 10/100 Mbps Ethernet port 1 x 10/100 Mbps Ethernet port with PoE capability 1 x RS-232 serial port 1 x RS-232/422/485 serial port (configured by software) 2 x USB 2.0 ports
Power	6-30 VDC input Less than 8.5 W power consumption

Specification	Value
Environmental	-20°C – 70°C 5% - 85% relative humidity (non-condensing) IP64 compliant front panel

Table 2-1: Technical Specifications

2.3 LCD Specifications

The IOVU-751R-CE5/UX-R10 has a 7" WVGA LCD screen. The LCD screen is attached to an aluminum frame that is IP 64 compliant. The specifications are shown below.

Model	DATA IMAGE FG0700A2DSSWBG02
Size	7"
Resolution	800 x 480 (WVGA)
Active Area (mm)	152.4 x 91.44
Pixel Pitch (mm)	0.0635 x 0.1905
LCD Color	Native 262K colors
View Angel (H/V)	140/100
Brightness (cd/m ²)	400
Contrast Ratio	400:1
Response Time (ms)	5(Tr) / 15(Tf)
Supply Voltage (V)	3.3
Backlight	1 CCFL
Backlight MTBF (hrs.)	50000
Dimensions (mm)	165.0 x 104.0 x 5.5

Table 2-2: IOVU-751R-CE5/UX-R10 LCD Specifications

2.4 Touch Panel Specifications

The IOVU-751R-CE5/UX-R10 has a 4-wire touch screen installed. **Table 2-3** lists the touch panel specifications.

Touch screen	EELY-ECW
Type	4-wire
Resolution	Continuous
Transmission	> 80%
S/W driver	Windows CE 5.0 or Linux
Keypad	NO

Table 2-3: Touch Panel Specifications

2.5 Multimedia Capabilities

The IOVU-751R-CE5/UX-R10 supports video decode at the following resolutions

- D1 (PAL, NTSC)
- VGA
- Wide VGA (16:9)
- QVGA
- GIF
- W GIF (16:9)

The IOVU-751R-CE5/UX-R10 supports the following video formats:

- MPEG-1
- MPEG-2
- WMV9
- DivX
- MPEG-4, MP4 and AVI

The IOVU-751R-CE5/UX-R10 supports the following audio formats:

- MPEG
- AAC
- WMA
- PCM
- AC-3
- OGG Vorbis

2.6 Power Supply



WARNING:

Whenever you need to remove a part for maintenance or upgrading, switch off the power supply and unplug the power cord first.

The IOVU-751R-CE5/UX-R10 has a 12 V DC power input and a 6-30 V DC bare-wire connector on the bottom panel. The IOVU-751R-CE5/UX-R10 also supports Power over Ethernet (PoE) through one of its LAN ports.

Chapter

3

Unpacking

3.1 Anti-static Precautions



WARNING:

Failure to take ESD precautions during the installation of the IOVU-751R-CE5/UX-R10 may result in permanent damage to the IOVU-751R-CE5/UX-R10 and severe injury to the user.

Electrostatic discharge (ESD) can cause serious damage to electronic components, including the IOVU-751R-CE5/UX-R10. Dry climates are especially susceptible to ESD. It is therefore critical that whenever the IOVU-751R-CE5/UX-R10 or any other electrical component is handled, the following anti-static precautions are strictly adhered to.

- **Wear an anti-static wristband:** Wearing a simple anti-static wristband can help to prevent ESD from damaging the board.
- **Self-grounding:** Before handling the board, touch any grounded conducting material. During the time the board is handled, frequently touch any conducting materials that are connected to the ground.
- **Use an anti-static pad:** When configuring the IOVU-751R-CE5/UX-R10, place it on an anti-static pad. This reduces the possibility of ESD damaging the IOVU-751R-CE5/UX-R10.

3.2 Unpacking

3.2.1 Unpacking Precautions

When the IOVU-751R-CE5/UX-R10 is unpacked, please do the following:

- Follow the anti-static precautions outlined in **Section 3.1**.
- Make sure the packing box is facing upwards so the IOVU-751R-CE5/UX-R10 does not fall out of the box.
- Make sure all the components shown in **Section 3.3** are present.

3.3 Unpacking Checklist



NOTE:

If some of the components listed in the checklist below are missing, please do not proceed with the installation. Contact the IEI reseller or vendor you purchased the IOVU-751R-CE5/UX-R10 from or contact an IEI sales representative directly. To contact an IEI sales representative, please send an email to sales@iei.com.tw.

3.3.1 Package Contents

The IOVU-751R-CE5/UX-R10 is shipped with the following components:





Quantity	Item and Part Number	Image
1	IOVU-751R-CE5/UX-R10	
1	Utility CD including SDK, utilities, and technical documentation	
1	Null modem cable	
1	Touch pen	

Table 3-1: Package List Contents

3.4 Optional Items

Part Number	Description	Image
ALFPK-08	Panel mount kit	
AFLWK-07	VESA 75 wall mount kit	
ARM-11 -RS	LCD monitor/PPC arm kit, load capacity of 3kg~7kg	
STAND-A08-RS	LCD monitor/PPC stand kit for VESA 75, up to 5kg	
VSTAND-A07	LCD monitor/PPC stand V type for VESA 75, 0~90 degree adjustable hinge and up to 2.5kg capacity	
AFLP-12BMSR-U	USB magnetic card reader	
AFLP-BRW01-U, AFLPBRB01-U	USB barcode reader (white/black)	

IOVU-751R-CE5/UX-R10 User Manual

Part Number	Description	Image
FLP-CDB01, AFLP-CDW01	VFD customer display (green) 5x7 dot matrix (black/white)	
63000-FSP0361AD101C-RS	90V~264V and 12V/36W DC power adapter	
63000-UP0451E24P56L-RS	24V DC 45W power adapter with bare wire, 90-264V AC input	
IPS-2042TX	Industrial 6-port Lite-Managed P.O.E. Ethernet Switch with 6 x 10/100TX	
AUPS-A10-R10	DC 12V input 60W UPS module with 3800mAH, 2S2P Li-Ion battery, VESA 75	

Table 3-2: Optional Items



Chapter

4

Installation

4.1 Installation Precautions

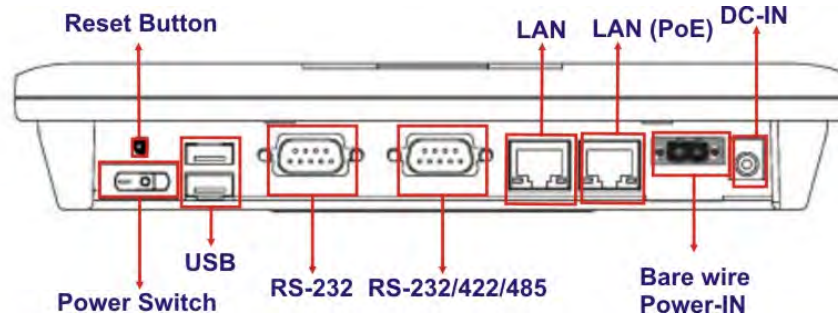
When installing the IOVU-751R-CE5/UX-R10, please follow the precautions listed below:

- **Read the user manual:** The user manual provides a complete description of the IOVU-751R-CE5/UX-R10, installation instructions and configuration options.
- **DANGER! Disconnect Power:** Power to the IOVU-751R-CE5/UX-R10 must be disconnected during the installation process, or before any attempt is made to access the rear panel. Electric shock and personal injury might occur if the rear panel of the IOVU-751R-CE5/UX-R10 is opened while the power cord is still connected to an electrical outlet.
- **Qualified Personnel:** The IOVU-751R-CE5/UX-R10 must be installed and operated only by trained and qualified personnel. Maintenance, upgrades, or repairs may only be carried out by qualified personnel who are familiar with the associated dangers.
- **Mounting:** It is advisable at least two people assist with mounting the IOVU-751R-CE5/UX-R10.
- **Air Circulation:** Make sure there is sufficient air circulation when installing the IOVU-751R-CE5/UX-R10. The IOVU-751R-CE5/UX-R10's cooling vents must not be obstructed by any objects. Blocking the vents can cause overheating of the IOVU-751R-CE5/UX-R10. Leave at least 5 cm of clearance around the IOVU-751R-CE5/UX-R10 to prevent overheating.
- **Grounding:** The IOVU-751R-CE5/UX-R10 should be properly grounded. The voltage feeds must not be overloaded. Adjust the cabling and provide external overcharge protection per the electrical values indicated on the label attached to the back of the IOVU-751R-CE5/UX-R10.

4.2 External Peripheral Interface Connectors

Table 4-1 lists the external interface connectors on the IOVU-751R-CE5/UX-R10. Detailed descriptions of the connectors can be found following the table.

Connector	Type
6-30V DC power jack	DC Jack
6-30V DC bare wire power terminal	Terminal Block
Ethernet connectors	RJ-45 Jack connector
Power switch	On/off switch
RS-232	D-sub 9 Male connector
RS-232/422/485 Serial connector	D-sub 9 Male connector
USB connectors	Dual USB port

Table 4-1: External Interface Connectors

Figure 4-1: IOVU-751R-CE5/UX-R10 Peripheral Connectors

4.2.1 DC Power interfaces

4.2.1.1 6V~30V DC Terminal Block

The power terminal block connects to a 6V~30V DC power source.

- CN Label:** CN12
- CN Type:** Terminal block
- CN Location:** See **Figure 4-1**
- CN Pinouts:** See **Table 4-2** and **Figure 4-2**

PIN	DESCRIPTION
1	6~30V DC Power in
2	GND

Table 4-2: 9~36V Power Connector Pinouts

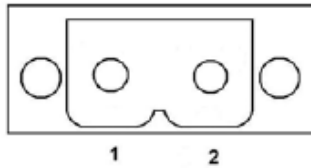


Figure 4-2: Power Terminal Block

4.2.1.2 12V DC-In

Use the rear panel +6-30V DC jack to connect the monitor to a power source.

- CN Label: **CN13**
- CN Type: 6-30V DC Jack
- CN Pinouts: See **Table 4-3**
- CN Location: See **Figure 4-1**


	PIN	DESCRIPTION
	1	GND
	2	GND
	3	+6-30V

Table 4-3: DC 6-30V Connector Pinouts

4.2.2 Serial Interfaces

The system has both a RS-232 and a RS-232/422/485 serial port connector.

4.2.2.1 RS-232 Serial Interface Pinouts

Pinouts for the RS-232 serial port are shown below.

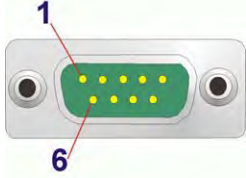
Pin Arrangement	Pin No	Signal Name	Direction	Description
	1	DCD	Input	Carrier Detect
	2	RX	Input	Receive Data
	3	TX	Output	Send Data
	4	DTR	Output	Data Terminal Ready
	5	GND	N/A	Ground
	6	DSR	Input	Data Set Ready
	7	RTS	Output	Request to Send
	8	CTS	Input	Send Possible
	9	RI	Input	Called Status Display
	Shell	FG	N/A	Frame Ground (Common with SG)

Table 4-4: RS-232 Pinouts

4.2.2.2 RS-232/422/485 Serial Interface Pinouts

Pinouts for the RS-232/422/485 serial port are shown below.

Pin	RS-232	RS-422	RS-485
1		RX-	DATA-
2	RX	RX+	DATA+
3	TX	TX-	
4			
5	GND	GND	GND
6			
7		TX+	
8			
9			

Table 4-5: Serial Port Pinouts

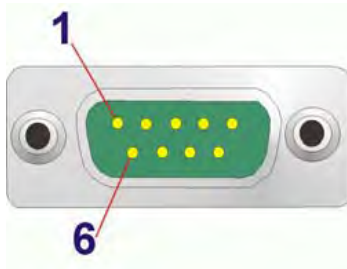


Figure 4-3: Serial Port Pinouts

To select RS-232, RS-422, or RS-485 mode, please follow the directions below.

Step 1: Select "Start > Programs > IEI > IEI CEUTILITY.exe" to run IEI_CEUTILITY.exe in the "SYSTEM" folder on the SD/CF card).



Figure 4-4: Serial Port Mode Setting

Step 2: **Change serial port mode setting.** Change the value in **Figure 4-4** to the desired mode setting.

Step 3: Click "Set"

Step 4: Click "Save Registry" to save the changes.

4.2.2.3 Connecting the Serial Port

The IOVU-751R-CE5/UX-R10 has a single female DB-9 connector on the external peripheral interface panel for a serial device. Follow the steps below to connect a serial device to the IOVU-751R-CE5/UX-R10.

Step 1: **Insert the serial connector.** Insert the DB-9 connector of a serial device into the DB-9 connector on the external peripheral interface. See **Figure 4-5**.

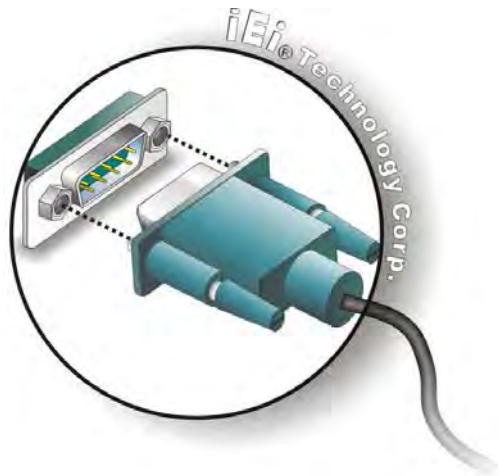


Figure 4-5: Serial Device Connector

Step 2: **Secure the connector.** Secure the serial device connector to the external interface by tightening the two retention screws on either side of the connector.

4.2.3 USB Connectors

4.2.3.1 USB Pinouts

USB devices connect directly to the USB connectors on the external peripheral connector panel.

IOVU-751R-CE5/UX-R10 User Manual

PIN	DESCRIPTION	PIN	DESCRIPTION
1	VCC	5	VCC
2	D1-	6	D2-
3	D1+	7	D2+
4	GND	8	GND

Table 4-6: USB Connector Pinouts

4.2.3.2 USB Connection (Dual Connector)

The external USB Series "A" receptacle connectors provide easier and quicker access to external USB devices. Follow the steps below to connect USB devices to the IOVU-751R-CE5/UX-R10.

- Step 1: **Insert a USB Series "A" plug.** Insert the USB Series "A" plug of a device into the USB Series "A" receptacle on the external peripheral interface. See **Figure 4-6**.

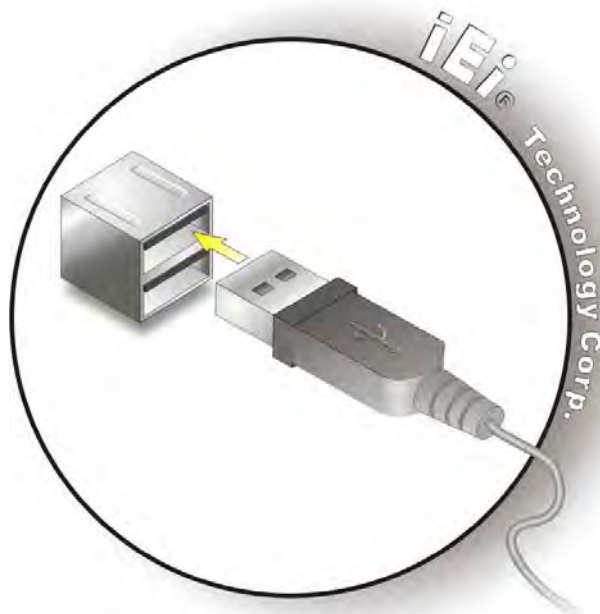


Figure 4-6: USB Connector

4.2.4 Ethernet Connector

A 10/100Mb/s connection can be made between the Ethernet connectors and a Local Area Network (LAN) through a network hub.

4.2.4.1 Ethernet Connector Pinouts

The Ethernet connector pinouts are shown below.

PIN	DESCRIPTION
1	TPT+
2	TPT-
3	TPR+
4	LAN_GND
5	LAN_GND
6	TPR-
7	LAN_GND
8	LAN_GND

Table 4-7: Ethernet Connector Pinouts



Figure 4-7: Ethernet Connector

The RJ-45 Ethernet connector has two status LEDs, one green and one yellow. The green LED indicates activity on the port and the yellow LED indicates the port is linked (**Table 4-8**).

SPEED LED		LINK LED	
Status	Description	Status	Description
GREEN	ON: 100MB OFF: 10MB	YELLOW	ON: Linked Flashing: Activity

Table 4-8: Ethernet Connector LEDs

4.2.4.2 LAN Connection

There are two external RJ-45 LAN connectors. The RJ-45 connectors enable connection to an external network. To connect a LAN cable with an RJ-45 connector, please follow the instructions below.

Step 1: **Align the connectors.** Align the RJ-45 connector on the LAN cable with one of the RJ-45 connectors on the IOVU-751R-CE5/UX-R10. See **Figure 4-8**.

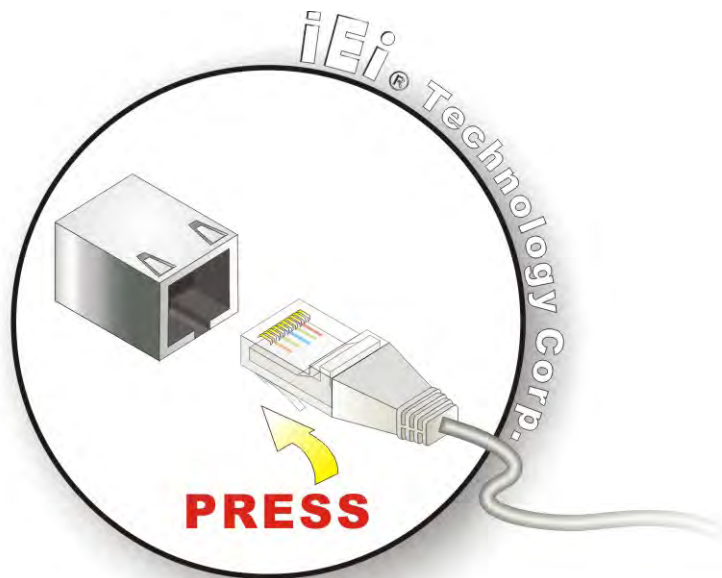


Figure 4-8: LAN Connection

Step 2: **Insert the LAN cable RJ-45 connector.** Once aligned, gently insert the LAN cable RJ-45 connector into the on-board RJ-45 connector.

4.3 Mounting the System



WARNING!

When mounting the flat panel PC onto an arm, onto the wall or onto a panel, it is better to have more than one person to help with the installation to make sure the panel PC does not fall down and get damaged.

Three methods of mounting the IOVU-751R-CE5/UX-R10 are listed below.

- Wall mounting
- Panel mounting
- Arm mounting

The three mounting methods are described below.

4.3.1 Wall Mounting

To mount the IOVU-751R onto the wall, please follow the steps below.

- Step 1: Select the location on the wall for the wall-mounting bracket.
- Step 2: Carefully mark the locations of the four screw holes in the bracket on the wall.
- Step 3: Drill four pilot holes at the marked locations on the wall for the bracket retention screws.
- Step 4: Align the wall-mounting bracket screw holes with the pilot holes.
- Step 5: Secure the mounting-bracket to the wall by inserting the retention screws into the four pilot holes and tightening them (**Figure 4-9**).

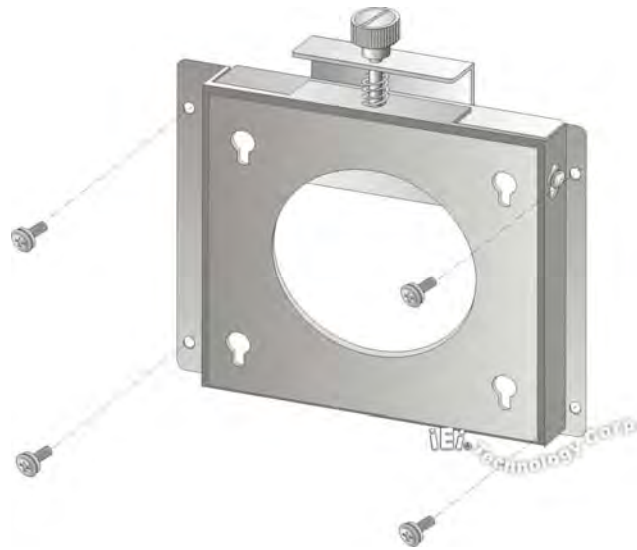


Figure 4-9: Wall-mounting Bracket

- Step 6: Insert the four monitor mounting screws provided in the wall mounting kit into the four screw holes on the rear panel of the IOVU-751R and tighten until the screw shank is secured against the rear panel (**Figure 4-10**).
- Step 7: Align the mounting screws on the monitor rear panel with the mounting holes on the bracket.
- Step 8: Carefully insert the screws through the holes and gently pull the monitor downwards until the monitor rests securely in the slotted holes (**Figure 4-10**). Ensure that all four of the mounting screws fit snugly into their respective slotted holes.



NOTE:

In the diagram below the bracket is already installed on the wall.

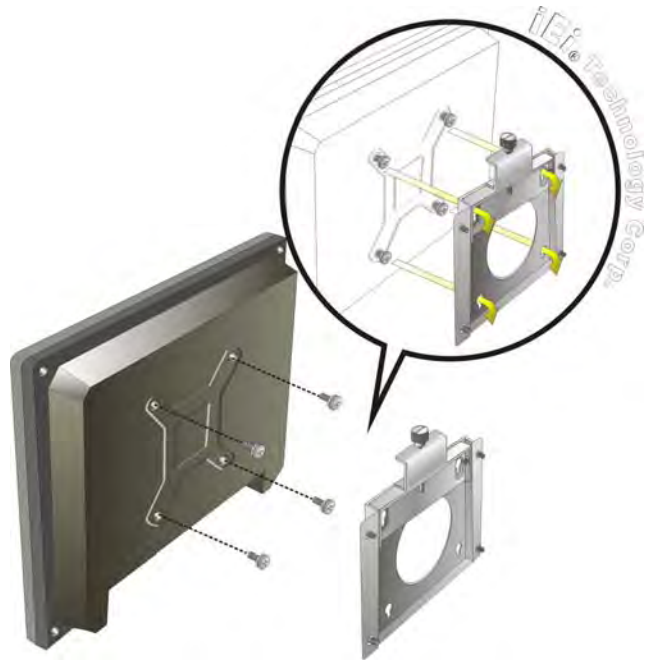


Figure 4-10: Chassis Support Screws

Step 9: Secure the panel PC by fastening the retention screw of the wall-mounting bracket. (Figure 4-11).

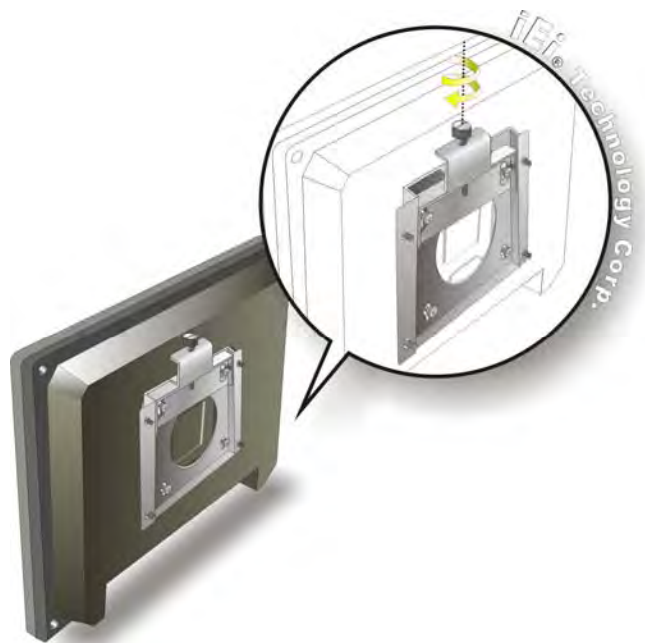


Figure 4-11: Secure the IOVU-751R

4.3.2 Panel Mounting

The IOVU-751R-CE5/UX-R10 can be mounted in a panel.



CAUTION:

When mounting the IOVU-751R-CE5/UX-R10 take care to tighten the retention screws or bolts until fully secure, but do not over tighten. Over tightening the retention screws or bolts may cause them to become stripped, rendering them useless.

To mount the IOVU-751R-CE5/UX-R10 into a panel, please follow the steps below.

- Step 1: Select the position on the panel to mount the IOVU-751R-CE5/UX-R10.
- Step 2: Cut out a section from the panel that corresponds to the rear panel dimensions of the IOVU-751R-CE5/UX-R10. Take care that the panel section that is cut out is smaller than the overall size of the frame that surrounds the IOVU-751R but just large enough for the rear panel of the IOVU-751R to fit through (see **Figure 4-12**).

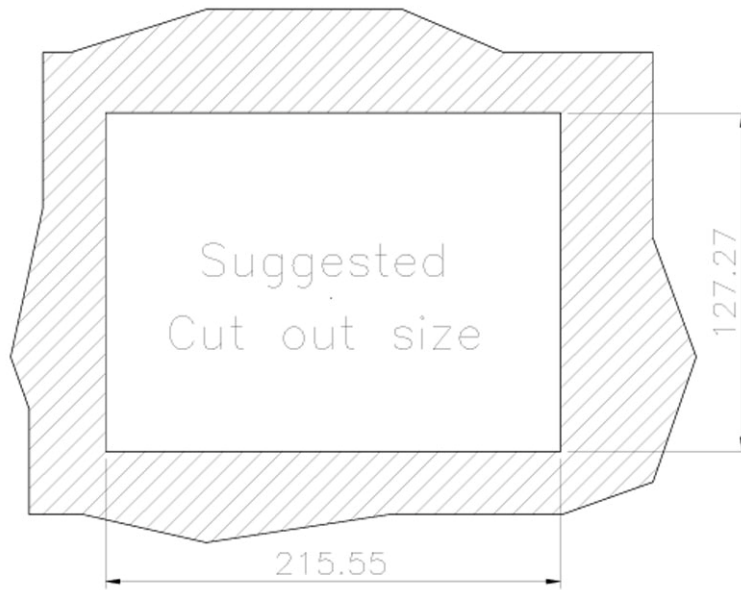


Figure 4-12: IOVU-751R-CE5/UX-R10 Panel Opening (mm)

Step 3: Slide the IOVU-751R-CE5/UX-R10 through the hole until the frame is flush against the panel.

Step 4: Insert the panel mounting clamps into the pre-formed holes along the edges of the chassis, behind the frame.

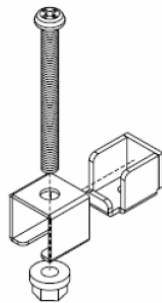


Figure 4-13: Panel Mounting Clamp

Step 5: Tighten the screws that pass through the panel mounting clamps until the plastic caps at the front of all the screws are firmly secured to the panel (**Figure 4-14**).

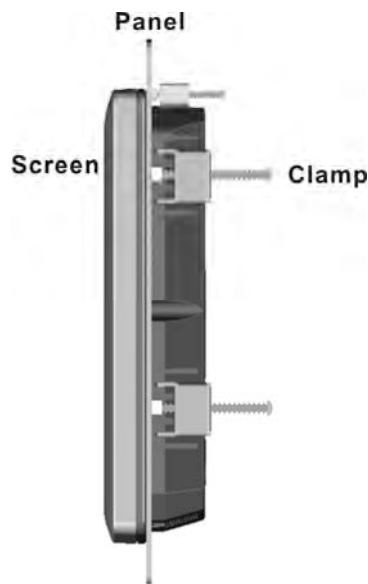


Figure 4-14: Tighten the Panel Mounting Clamp Screws

4.3.3 Arm Mounting

The IOVU-751R-CE5/UX-R10 is VESA (Video Electronics Standards Association) compliant and can be mounted on an arm with a 75 mm interface pad. To mount the IOVU-751R-CE5/UX-R10 on an arm, please follow the steps below.

Step 1: The arm is a separately purchased item. Please correctly mount the arm onto the surface it uses as a base. To do this, refer to the installation documentation that came with the mounting arm.



NOTE:

When purchasing the arm please ensure that it is VESA compliant and that the arm has a 75 mm interface pad. If the mounting arm is not VESA compliant it cannot be used to support the IOVU-751R-CE5/UX-R10.

Step 2: Once the mounting arm has been firmly attached to the surface, lift the IOVU-751R onto the interface pad of the mounting arm.

Step 3: Align the retention screw holes on the mounting arm interface with those on the IOVU-751R, as shown in **Figure 4-15**.

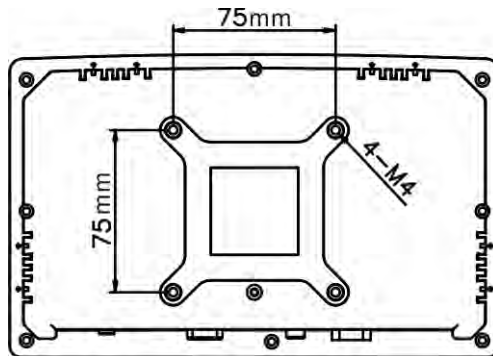


Figure 4-15: Arm Mounting Retention Screw Holes

Step 4: Secure the IOVU-751R to the interface pad by inserting four retention screws through the bottom of the mounting arm interface pad and into the IOVU-751R.

4.3.4 Stand Mounting

The IOVU-751R has Video Electronics Standards Association (VESA) standard mounting holes tapped into the rear panel. The monitor stand mounting plate has a matching VESA hole pattern. To mount the IOVU onto a stand, please follow the steps below.

Step 1: Line up the threaded holes on the monitor rear panel with the screw holes on the monitor stand mounting plate.

Step 2: Secure the monitor to the stand with the supplied retention screws (**Figure 4-16**).



Figure 4-16: Stand Mounting

4.4 Software

The IOVU-751R-CE5/UX-R10 comes with a pre-installed Windows CE 5.0 or Linux 2.6.x operating system and a rich software application development kit. For information about configuring the operating system, adding remote management tools or additional software and drivers, refer to the user manuals on IEI IOVU Utility CD that came with the IOVU-751R-CE5/UX-R10. The IOVU includes the following software:

IOVU-751R-CE5/-R10:

- Standard Windows® CE5.0 professional version license.
- Optional Board Support Package (BSP) for customers to customize their own OS image.
- Attached Software Development Kit (SDK) for embedded Visual C++ to program Windows CE application.
- Built-in .NET Compact Framework support with related SDK
- Thin Client Technology, Microsoft RDP (Remote Desktop Protocol), to enable IOVU-751R to access Microsoft Windows® based applications installed on Microsoft Terminal Service server.
- Free pre-installed utilities for configuring and diagnosing your IOVU-751R.
- Free remote management tools installed in laptop for remotely configuring, monitoring, and managing your IOVU-751R.

IOVU-751R-UX/-R10:

- GNU standard Embedded Linux 2.6.x bootloader and OS image
- Secure Shell (OpenSSH) providing 128-bit, 192-bit or 256-bit encryption between the IOVU-751R and another system
- Built-in web browser and X-window system
- Related Linux drivers for onboard peripheral I/O, network and audio
- Attached SDK including GUI, Sample Code, and Tool chain make users program application readily.
- Optional Board Support Package (BSP) including kernel source code for customers to customize their own OS image.

Appendix

A

Certifications

A.1 RoHS Compliant

All models in the IOVU series comply with the Restriction of Hazardous Materials (RoHS) Directive. This means that all components used to build the industrial workstations and the workstation itself are RoHS compliant.

The RoHS Directive bans the placing on the EU market of new electrical and electronic equipment containing more than agreed levels of lead, cadmium, mercury, hexavalent chromium, polybrominated biphenyl (PBB) and polybrominated diphenyl ether (PBDE) flame retardants.

A.2 IP 64 Compliant Front Panel

The front panels on all models in the IOVU series have an ingress protection rating (IP) of 64, IP 64 or greater. The front panels are protected from dust particles and splashed water.

Appendix

B

Safety Precautions

B.1 Safety Precautions



WARNING:

The precautions outlined in this appendix should be strictly followed. Failure to follow these precautions may result in permanent damage to the IOVU-751R-CE5/UX-R10.

Please follow the safety precautions outlined in the sections that follow:

B.1.1 General Safety Precautions

Please ensure the following safety precautions are adhered to at all times.

- ***Make sure the power is turned off and the power cord is disconnected*** whenever the IOVU-751R-CE5/UX-R10 is being installed, moved or modified.
- ***Do not apply voltage levels that exceed the specified voltage range.*** Doing so may cause fire and/or an electrical shock.
- ***Electric shocks can occur*** if the IOVU-751R-CE5/UX-R10 chassis is opened when the IOVU-751R-CE5/UX-R10 is running.
- ***Do not drop or insert any objects*** into the ventilation openings of the IOVU-751R-CE5/UX-R10.
- ***If considerable amounts of dust, water, or fluids enter the IOVU-751R-CE5/UX-R10,*** turn off the power supply immediately, unplug the power cord, and contact the IOVU-751R-CE5/UX-R10 vendor.
- **DO NOT:**
 - Drop the IOVU-751R-CE5/UX-R10 against a hard surface.
 - Strike or exert excessive force onto the LCD panel.
 - Touch any of the LCD panels with a sharp object
 - In a site where the ambient temperature exceeds the rated temperature

B.1.2 Anti-static Precautions

**WARNING:**

Failure to take ESD precautions during the installation of the IOVU-751R-CE5/UX-R10 may result in permanent damage to the IOVU-751R-CE5/UX-R10 and severe injury to the user.

Electrostatic discharge (ESD) can cause serious damage to electronic components, including the IOVU-751R-CE5/UX-R10. Dry climates are especially susceptible to ESD. It is therefore critical that whenever the IOVU-751R-CE5/UX-R10 is opened and any of the electrical components are handled, the following anti-static precautions are strictly adhered to.

- **Wear an anti-static wristband:** Wearing a simple anti-static wristband can help to prevent ESD from damaging any electrical component.
- **Self-grounding:** Before handling any electrical component, touch any grounded conducting material. During the time the electrical component is handled, frequently touch any conducting materials that are connected to the ground.
- **Use an anti-static pad:** When configuring or working with an electrical component, place it on an anti-static pad. This reduces the possibility of ESD damage.
- **Only handle the edges of the electrical component:** When handling the electrical component, hold the electrical component by its edges.

B.2 Maintenance and Cleaning Precautions

When maintaining or cleaning the IOVU-751R-CE5/UX-R10, please follow the guidelines below.

B.2.1 Maintenance and Cleaning

Prior to cleaning any part or component of the IOVU-751R-CE5/UX-R10, please read the details below.

- Except for the LCD panel, never spray or squirt liquids directly onto any other components. To clean the LCD panel, gently wipe it with a piece of soft dry cloth or a slightly moistened cloth.
- The interior of the IOVU-751R-CE5/UX-R10 does not require cleaning. Keep fluids away from the IOVU-751R-CE5/UX-R10 interior.
- Be cautious of all small removable components when vacuuming the IOVU-751R-CE5/UX-R10.
- Turn the IOVU-751R-CE5/UX-R10 off before cleaning the IOVU-751R-CE5/UX-R10.
- Never drop any objects or liquids through the openings of the IOVU-751R-CE5/UX-R10.
- Be cautious of any possible allergic reactions to solvents or chemicals used when cleaning the IOVU-751R-CE5/UX-R10.
- Avoid eating, drinking and smoking within vicinity of the IOVU-751R-CE5/UX-R10.

B.2.2 Cleaning Tools

Some components in the IOVU-751R-CE5/UX-R10 may only be cleaned using a product specifically designed for the purpose. In such case, the product will be explicitly mentioned in the cleaning tips. Below is a list of items to use when cleaning the IOVU-751R-CE5/UX-R10.

- **Cloth** – Although paper towels or tissues can be used, a soft, clean piece of cloth is recommended when cleaning the IOVU-751R-CE5/UX-R10.
- **Water or rubbing alcohol** – A cloth moistened with water or rubbing alcohol can be used to clean the IOVU-751R-CE5/UX-R10.
- **Using solvents** – The use of solvents is not recommended when cleaning the IOVU-751R-CE5/UX-R10 as they may damage the plastic parts.
- **Vacuum cleaner** – Using a vacuum specifically designed for computers is one of the best methods of cleaning the IOVU-751R-CE5/UX-R10. Dust and dirt can restrict the airflow in the IOVU-751R-CE5/UX-R10 and cause its circuitry to corrode.
- **Cotton swabs** - Cotton swabs moistened with rubbing alcohol or water are excellent tools for wiping hard to reach areas.

- **Foam swabs** - Whenever possible, it is best to use lint free swabs such as foam swabs for cleaning.



Appendix

C

Hazardous Materials Disclosure

C.1 Hazardous Materials Disclosure Table for IPB Products Certified as RoHS Compliant Under 2002/95/EC Without Mercury

The details provided in this appendix are to ensure that the product is compliant with the Peoples Republic of China (China) RoHS standards. The table below acknowledges the presences of small quantities of certain materials in the product, and is applicable to China RoHS only.

A label will be placed on each product to indicate the estimated “Environmentally Friendly Use Period” (EFUP). This is an estimate of the number of years that these substances would “not leak out or undergo abrupt change.” This product may contain replaceable sub-assemblies/components which have a shorter EFUP such as batteries and lamps. These components will be separately marked.

Please refer to the table on the next page.

Part Name	Toxic or Hazardous Substances and Elements					
	Lead (Pb)	Mercury (Hg)	Cadmium (Cd)	Hexavalent Chromium (CR(VI))	Polybrominated Biphenyls (PBB)	Polybrominated Diphenyl Ethers (PBDE)
Housing	X	O	O	O	O	X
Display	X	O	O	O	O	X
Printed Circuit Board	X	O	O	O	O	X
Metal Fasteners	X	O	O	O	O	O
Cable Assembly	X	O	O	O	O	X
Fan Assembly	X	O	O	O	O	X
Power Supply Assemblies	X	O	O	O	O	X
Battery	O	O	O	O	O	O

O: This toxic or hazardous substance is contained in all of the homogeneous materials for the part is below the limit requirement in SJ/T11363-2006

X: This toxic or hazardous substance is contained in at least one of the homogeneous materials for this part is above the limit requirement in SJ/T11363-2006

IOVU-751R-CE5/UX-R10 User Manual

此附件旨在确保本产品符合中国 RoHS 标准。以下表格标示此产品中某有毒物质的含量符合中国 RoHS 标准规定的限量要求。

本产品上会附有“环境友好使用期限”的标签，此期限是估算这些物质“不会有泄漏或突变”的年限。本产品可能包含有较短的环境友好使用期限的可替换元件，像是电池或灯管，这些元件将会单独标示出来。

部件名称	有毒有害物质或元素					
	铅 (Pb)	汞 (Hg)	镉 (Cd)	六价铬 (CR(VI))	多溴联苯 (PBB)	多溴二苯 醚 (PBDE)
壳体	X	O	O	O	O	X
显示	X	O	O	O	O	X
印刷电路板	X	O	O	O	O	X
金属螺帽	X	O	O	O	O	O
电缆组装	X	O	O	O	O	X
风扇组装	X	O	O	O	O	X
电力供应组装	X	O	O	O	O	X
电池	O	O	O	O	O	O

O: 表示该有毒有害物质在该部件所有物质材料中的含量均在 SJ/T11363-2006 标准规定的限量要求以下。
X: 表示该有毒有害物质至少在该部件的某一均质材料中的含量超出 SJ/T11363-2006 标准规定的限量要求。



Index

1

12V23

A

Active Area12
 anti-static precautions.....16
 anti-static pad16, 43
 anti-static wristband.....16, 43
 handling43
 self-grounding.....16, 43
 ATX power connector 11

B

backlight inverter connector.....10
 Benefits.....2
 bracket30, 31
 Brightness.....4, 12

C

camera connector10
 Certifications5
 CMOS LCD interface connector10
 CompactFlash.....4
Contrast Ratio12

D

Dimensions12

E

electrostatic discharge 16
 embedded RISC 9
 Ethernet 3, 4, 22, 28, 29
 RJ-45 connector11
 External Peripheral Interface Connectors. 21
 9V~36V DC Terminal Block 22
 Ethernet Connector 28
 USB Connector..... 27
 USB Connectors 26

F

Features..... 3

I

Installation
 Tools 3
 IP 64..... 40

J

JTAG connector 10

L

LAN connection..... 29
 LVDS LCD connector..... 10

M

Mechanical Overview
 Connector Panels 7

Front Panel.....	7
MMC/SD/SDIO connector	10
monitor stand	36
Monitor Stand.....	36, 37
MPEG 1	2, 3, 11
MPEG 2	2, 3, 11
MPEG 4	2, 3, 11

P

Physical Dimensions.....	5, 8, 9
Pinouts.....	23
Pixel Pitch	12
Power Consumption	5

R

Resolution.....	4, 12
Response Time	12
RJ-45 connection.....	29
single connector	29
RJ-45 Ethernet connector.....	11
RMI Alchemy™ Au1250™	2, 3, 4
RoHS	4, 5, 40
RS-232.....	3, 4, 22

S

Safety Precautions.....	42
serial port connector	11
RS-232	11
RS-422	11
RS-485	11

T

technical specifications	11
Technical Specifications.....	4, 5
touch panel connector.....	10
Touch Panel Specifications.....	12

U

unpacking.....	16
unpacking checklist	17
unpacking precautions.....	16
USB	
external USB device connection	27
USB 2.0.....	3, 5
USB device connection.....	27
dual connector	27
USB host connector.....	10, 11
USB OTG connector	10

V

VESA	36
------------	----

W

wall.....	30, 31
wall mounting	31
wall-mounting bracket.....	30
Watchdog Timer.....	4
Windows CE 5.0	37
WMV 9	2, 3, 11