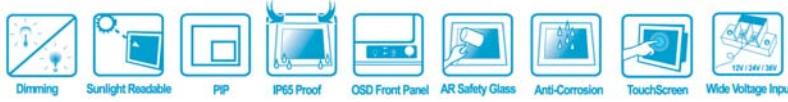


19" Marine Bridge System Display

Model # R19L300-MRA1

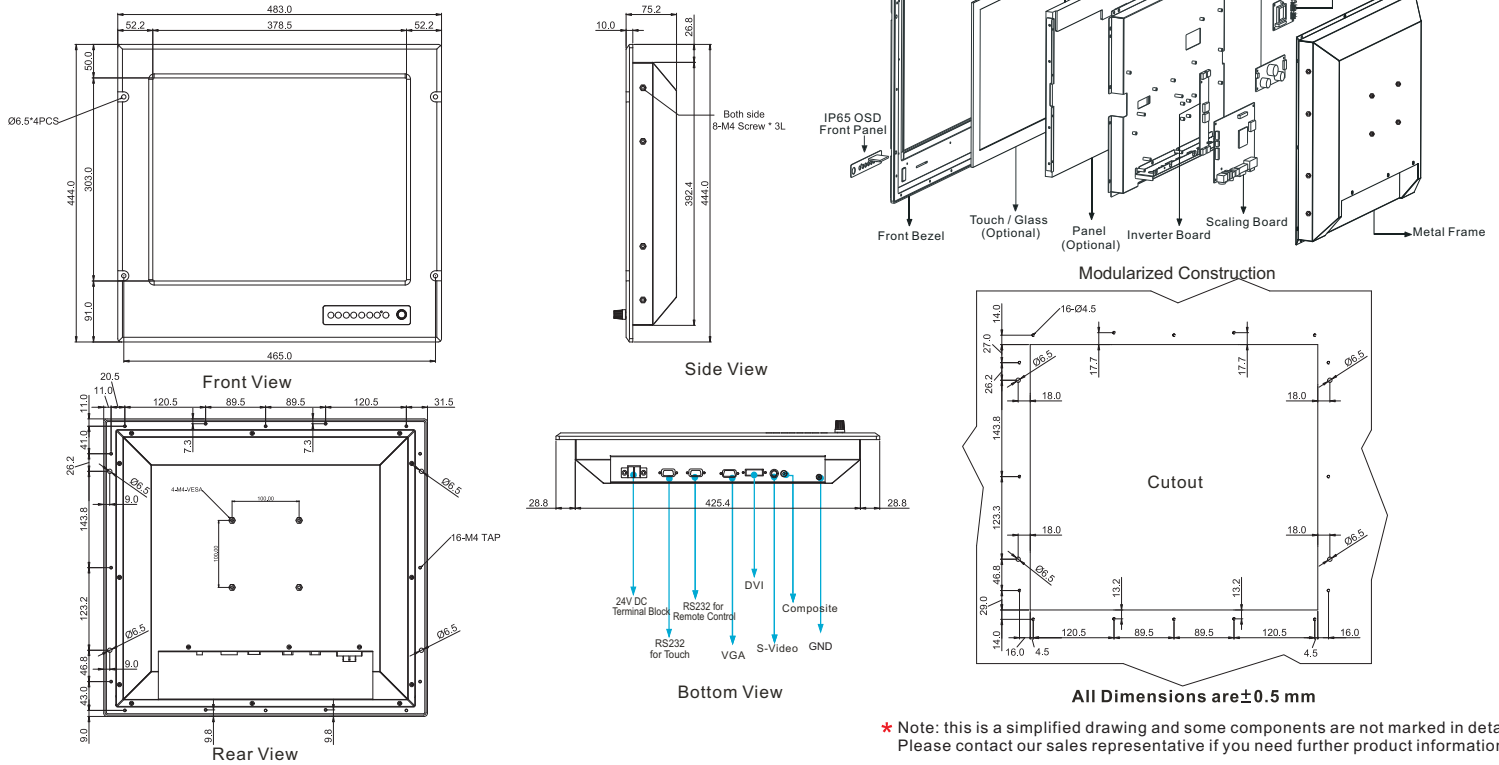
Features:



- Hyper Dimming : Dimming knob control backlight brightness from nearly 0% to 100%
- Sunlight Readable : Transflective film technology enhance visibility
- Anti-Corrosion & IP Proof : IP65 aluminum housing with powder coating design (IP54 rear)
- Wide Voltage Range Input : 24 V DC to DC power input acceptable (Isolation Resistance)
- Touchscreen/ Protection Glass : High quality touchscreen / AR protection glass for option
- Multiscan Function : PIP(picture in picture) function and multi-video inputs
- IP65 OSD Front Panel Design : Ease of use front panel OSD control
- Anti-Shock and Vibration : Enhanced shock and vibration resistance



Mechanical Design Drawing



* Note: this is a simplified drawing and some components are not marked in detail. Please contact our sales representative if you need further product information.

TFT Characteristics:

- Pixel Number : 1280 x 1024
- Pixel Pitch(RGB) : 0.294 (H) x 0.294 (V) mm
- Contrast Ratio : 1000:1(typ.)
- Light Intensity : 400 cd/m² (typ.)
- Viewable Angles : -85~85(H); -80~80(V)
- Active Display Area : 376.32 (H) x 301.06(V) mm
- Max Colors : 16.7M (8bit/colors)

Input Signals:

- RGB Signal : D-SUB 15P connector(female)
- Composite Video : RCA phono plug
- S-Video Signal : S-Video (SVHS) plug
- DVI-D Signal : DVI-D input 24pin connector
- DC Power Signal : Screw terminal block
- AC Power Signal (Optional) : Std IEC Inlet
- Touch Screen (Optional) : D-SUB 9P connector (female)
- Remote via RS-232 (Optional) : D-SUB 9P connector (female)

User Controls:

- Power On/Off via front button
- VR Brightness Knob Control
- Power Mode Status LED
- On Screen Display control(OSD)
- OSD Remote Control via RS-232

Power Specifications:

- Power Supply Options : 24 V DC power supply with Terminal block (Default, Isolation Resistance)
- Power Consumption : 45 W typical, normal operation

Mechanical and Environmental:

- Mechanical Mounting : Panel (Flush) mount with IP65*, VESA, Bracket mounting
- Operating Temperature : -10 to 55 deg.C (-20 to 60 deg.C for optional heating)
- Operating Humidity : 5% to 95% (non condensing)
- Anti-Vibration : 5Hz~500Hz / 1Grms/3 Axis
- Anti-Shock : 15G, 11ms duration
- * SAW touch for IP54

Available Options:

- Touch Screen Options : SAW, 5 Wire Resistive
- AR Safety Glass Options : 3mm Anti-reflective protection glass
- Transflective Options : Yes (Enhance Visibility)
- AC power Options : Yes (90 to 265 V AC power input)
- Bracket Mounting Options : Yes (One robust bracket can adjust from -10 to 30 deg.)

Certification and Approvals : IEC 60945, DVN 2.4, IACS-E10
DNV Type Approval, CE, FCC



Note: All Specifications are subject to change without prior notice!

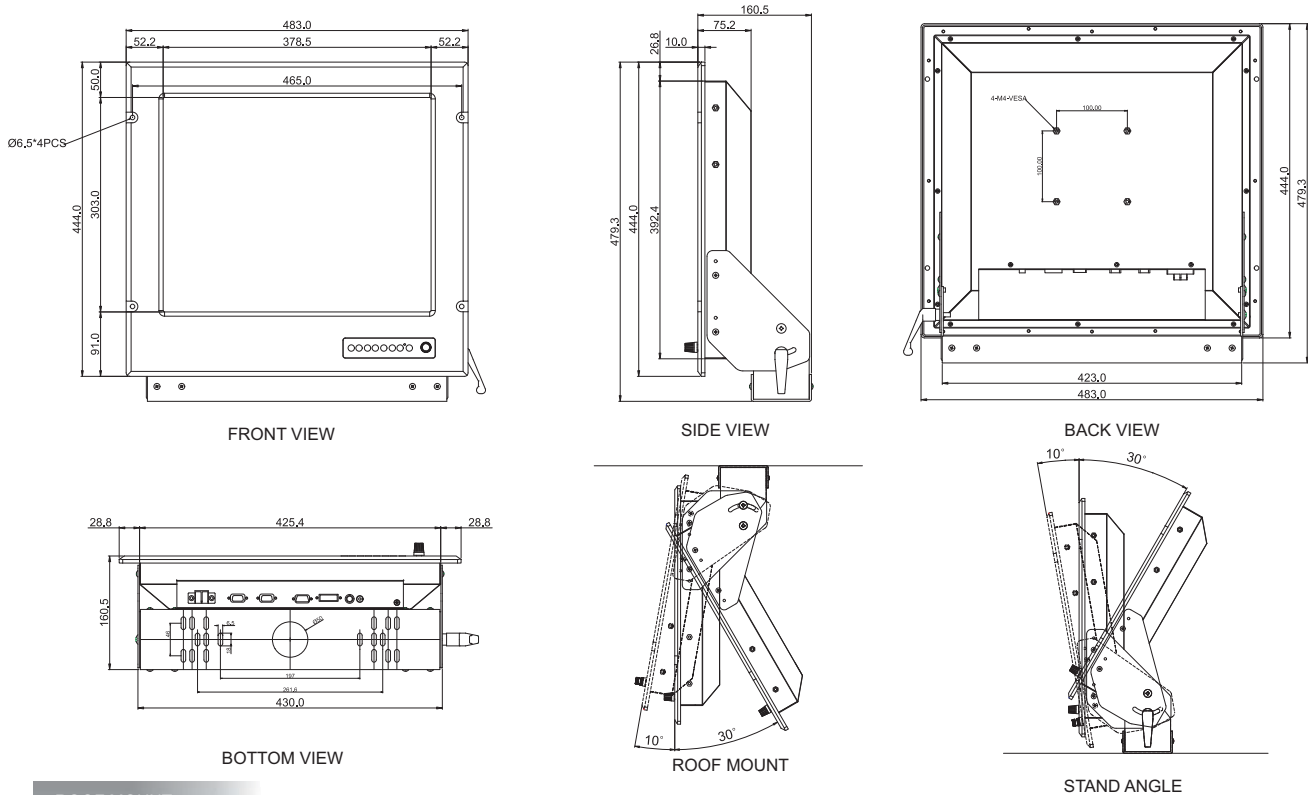
Revised Date : 03/27/2012



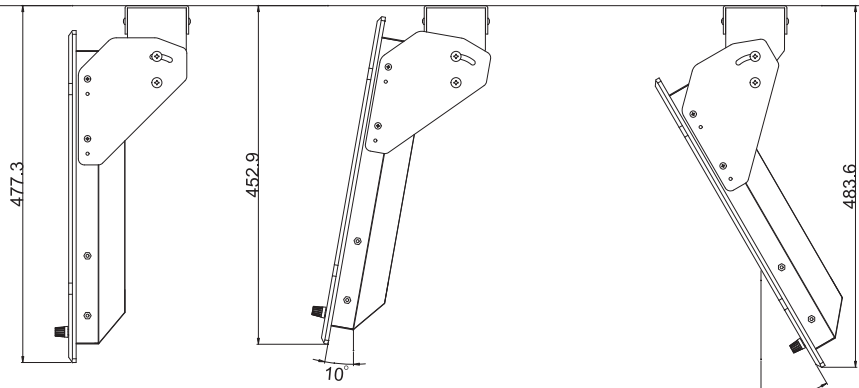
19" Marine Bridge System Display

Model # R19L300-MRA1

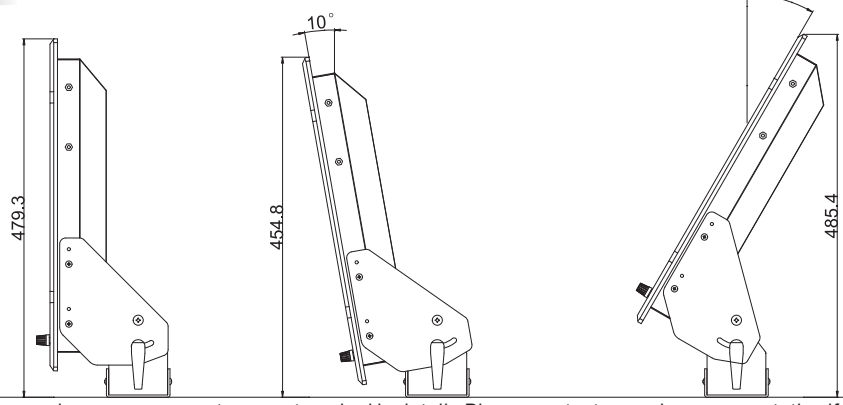
Mechanical Design with Robust Bracket (options)



ROOF MOUNT



STAND ANGLE



All Dimensions are ±0.5 mm

* Note: this is a simplified drawing and some components are not marked in detail. Please contact our sales representative if you need further product information.

Rev.	Reasons	Revised Date
1.0	Add holes for brackets on back cover*	Nov-17-08
1.1	Spec change	Oct-08-09
1.2	Spec change	Mar-02-11

* Extra charge is required for back covers with bracket holes for products purchased before end of Nov. 08'

Certification and Approvals : IEC 60945, DVN 2.4, IACS-E10
 DNV Type Approval, CE, FCC

Note: All Specifications are subject to change without prior notice!

Revised Date : 03/27/2012