



Introduction

The ET-7060, a web-based Ethernet I/O module, features a built-in web server, which allows configuration, I/O monitoring and I/O control by simply using a regular web browser. Besides, with the web HMI function, no more programming or HTML skills are needed; creating dynamic and attractive web pages for I/O monitoring and I/O control would be fun to engineers ever after. The ET-7060 offers easily and safely access for users from anytime and anywhere! In addition, the ET-7060 also supports Modbus/TCP protocol that makes perfect integration for ET-7060 to SCADA software.

The ET-7060 provides 6 power relay (form A) output and 6 isolated wet contact (sink, source type) digital input channels. Each power relay supports contact rating as 5 A @ 250 V_{AC} or 5 A @ 30 V_{DC} and each digital input channel supports counter input (32 bits and 500 Hz Max.).

I/O Specifications

Relay Output		
Output Channels	6	
Output Type	Power Relay, Form A (SPST N.O.)	
Contact Rating	5.0 A @ 250 V _{AC} , 5.0 A @ 30 V _{DC}	
Operate Time	6 ms	
Release Time	3 ms	
Electrical Life (Resistive Load)	VDE	5A 250 V _{AC} 30,000 ops (10 ops/minute) at 75 °C 5A 30 V _{DC} 70,000 ops (10 ops/minute) at 75 °C
	UL	5A 250 V _{AC} /30 V _{DC} 6,000 ops.
		3A 250 V _{AC} /30 V _{DC} 100,000 ops.
Mechanical Life	20,000,000 ops. at no load (300 ops./minute)	
Digital Input		
Input Channels	6	
Input Type	Wet Contact (Sink, Source)	
On Voltage Level	+10 V _{DC} ~ +50 V _{DC}	
Off Voltage Level	+4 V _{DC} Max.	
Input Impedance	10 kΩ	
Counters	Max. Count	4,294,967,285 (32 bits)
	Max. Input Frequency	500 Hz
	Min. Pulse Width	1 ms
	Overvoltage Protection	+70 V _{DC}

Relay Output & Digital Input

Features

- Built-in Web Server
- Communication Security
- Modbus/TCP Protocol
- 2-way Isolation/ESD Protection
- Built-in Dual Watchdog
- 10/100 Base-TX Ethernet
- I/O Pair Connection
- DO Type: 6 Power Relay (Form A)
- DI Type: 6 Wet Contact (Sink, Source)



Applications

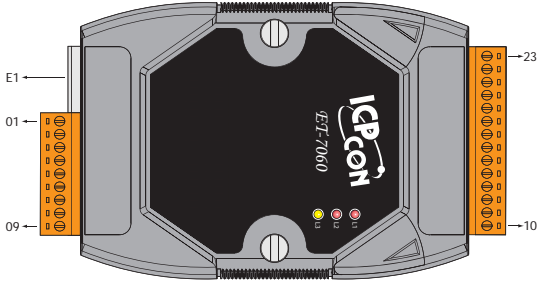
Building Automation, Factory Automation, Machine Automation, Remote Maintenance, Remote diagnosis, Testing Equipment.

System Specifications

System		
CPU	80186 CPU (80 MHz)	
SRAM	512 KB	
Flash Memory	512 KB	
EEPROM	16 KB	
Dual Watchdog	Yes	
Communication		
Ethernet Port	10/100 Base-TX (With link, activity led indicator) and auto MDI/MDI-X connection	
2-Way Isolation		
Ethernet	1500 V _{ms}	
I/O	DI	3750 V _{ms}
	Relay Output	3000 V _{ms}
LED Display	L1 LED as run indicator	
	L2 LED as Link/Act indicator	
	L3 LED as 10/100M indicator	
Power Requirements		
Protection	Power reverse polarity protection	
Required Supply Voltage	+10 V _{DC} ~ +30 V _{DC} (non-regulated)	
Power Consumption	0.12 A @ 24 V _{DC} Max.	
Mechanical		
Dimensions (W x H x D)	72 mm x 123 mm x 35 mm	
Installation	DIN-Rail or Wall mounting	
Environment		
Operating Temperature	-25 °C ~ +75 °C	
Storage Temperature	-30 °C ~ +80 °C	
Humidity	5 ~ 90% RH, non-condensing	

Pin Assignment

Terminal No.	Pin Assignment
E1	RJ-45
01	IN5
02	IN4
03	IN3
04	IN2
05	IN1
06	INO
07	IN.COM
08	(R)+Vs
09	(B)GND

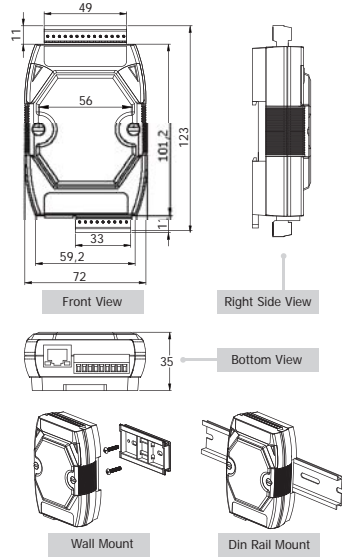


Terminal No.	Pin Assignment
23	RL5 COM
22	RL5 NO
21	RL4 COM
20	RL4 NO
19	RL3 COM
18	RL3 NO
17	RL2 COM
16	RL2 NO
15	RL1 COM
14	RL1 NO
13	RL0 COM
12	RL0 NO
11	N/A
10	N/A

Wire Connection

Digital Output	Readback as 1	Readback as 0
Relay Output	Relay On 	Relay Off
Source		

Dimensions (Unit: mm)



Ordering Information

ET-7060 CR	6-channel Power Relay Output and 6-channel Isolation Digital Input (RoHS)
------------	---

Accessories

GPSU06U-6	24V/0.25A, 6 W Power Supply
MDR-20-24	24V/1A, 24 W Power Supply with DIN-Rail Mounting
NS-205 CR	Unmanaged 5-Port Industrial Ethernet Switch (RoHS)