

ANT-WSB-PNF-18

Directional panel antenna: 18 dBi at 2.4 GHz



- > High-gain antenna to enhance performance
- > Waterproof N-type connector
- > Lightweight
- > Compact form factor
- > Pole-mounting support
- > Housing provides IP65 protection
- > -40 to 80°C operating temperature range

Specifications

Antenna Characteristics

Frequency: 2.4 to 2.5 GHz
Antenna Type: Directional panel type
Typical Antenna Gain: 18 dBi
Connector: N-type (female)
Impedance: 50±5 ohms
Polarization: Linear
HPBW/horizontal: 30°
HPBW/vertical: 20°
V.S.W.R.: 1:1.5 max.
Power Handling: 10 W max.

Physical Characteristics

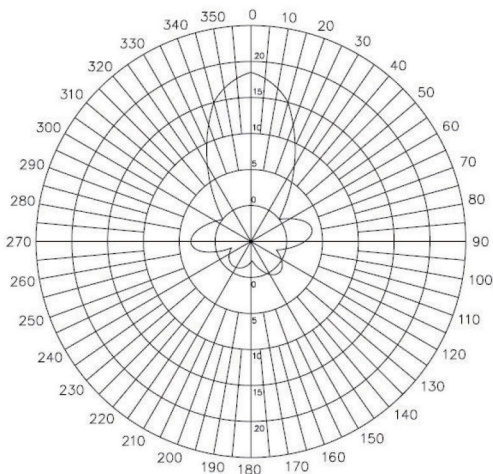
Weight: 310 g (incl. Antenna holder)
Dimensions:
 270 x 205 x 15 mm
IP Rating: IP65
Radome Color: Grayish white
Radome Material: PC and ABS

Environmental Limits

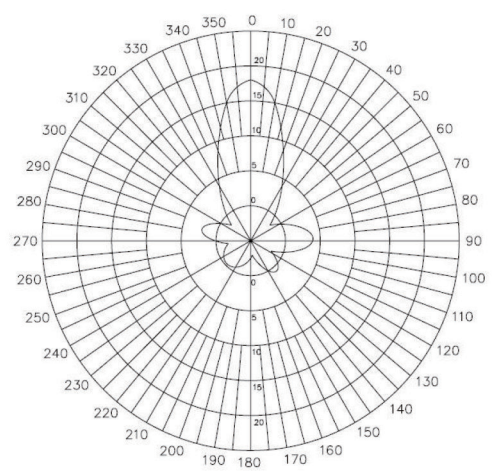
Operating Temperature: -40 to 80°C (-40 to 176°F)
Storage Temperature: -40 to 80°C (-40 to 176°F)
Ambient Relative Humidity: 5 to 95% (30°C, non-condensing)

Field Patterns

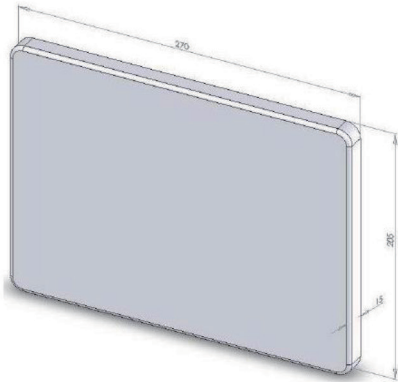
H-plane



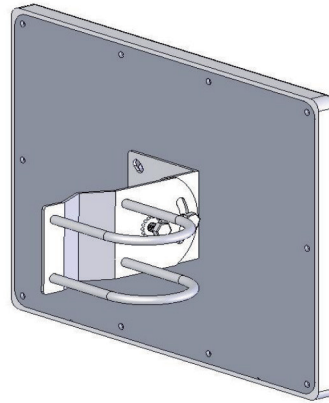
E-plane



Dimensions



Mounting



Ordering Information

Available Models

ANT-WSB-PNF-18: 2.4 GHz, panel antenna, 18 dBi, N-type (female)

Optional Accessories (can be purchased separately)

A-CRF-NMNM-LL4-300: LMR-400 LITE cable, N-type (male) to N-type (male), 3 meters

A-CRF-NMNM-LL4-600: LMR-400 LITE cable, N-type (male) to N-type (male), 6 meters

A-CRF-NMNM-LL4-900: LMR-400 LITE cable, N-type (male) to N-type (male), 9 meters

CRF-N0429N-3M: CFD400 cable, N-type (male) to N-type (male), 3 meters

CRF-N0117SA-3M: CFD200 cable, N-type (male) to RP SMA (male), 3 meters

A-CRF-RMNM-L1-300: LMR-195 LITE cable, N-type (male) to RP SMA (male), 3 meters

A-CRF-RMNM-L1-600: LMR-195 LITE cable, N-type (male) to RP SMA (male), 6 meters

A-CRF-RMNM-L1-900: LMR-195 LITE cable, N-type (male) to RP SMA (male), 9 meters

Can be used with the following products

AWK Series: AWK-3121, AWK-4121, AWK-5222, AWK-6222

NPort W2000 Series: NPort W2150 Plus, NPort W2250 Plus, NPort W2004