

# NPort 5400 Series

## 4-port Rackmount Serial Device Servers



### Features

- Easy IP address configuration with LCM (Liquid Crystal Module)
- Auto-detecting 10/100 Mbps Ethernet
- 4 ports with selectable RS-232, RS-422, and RS-485 operation
- 15 KV ESD surge protection for all serial signals
- TCP Server, TCP Client, UDP, and Real COM operation modes
- Configuration by web console, Telnet console, and more
- Supports SNMP MIB-II for network management
- 2 KV isolation protection for NPort 5430I



### Internet Readiness for up to Four Serial Devices

NPort 5400 device servers can conveniently and transparently connect up to four serial devices to an Ethernet, allowing you to network your existing serial devices with only basic configuration. Data transmission between the serial and Ethernet interfaces is bi-

directional. By using NPort device servers, you not only protect your current hardware investment, but also allow for future network expansion. You can both centralize management of your serial devices and distribute management hosts over the network.

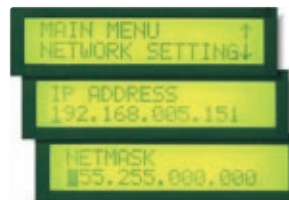
### Independent Operation Mode for Each Serial Port

NPort 5400 device servers can be used to connect different devices for remote data polling, event handling, or data multicasting over the TCP/IP network. Each serial port on the NPort 5400 device

server operates independently, allowing maximum versatility. For example, port 1 can operate in Driver mode, port 2 in TCP Server mode, and ports 3 and 4 in TCP client mode.

### User-Friendly LCD Control Panel for Easy Installation

A control panel is provided on NPort 5400 device servers, with four buttons for inputting data, configuration, and selecting the operation mode. The control panel displays the server name, serial number, and IP address, and can be used to enter or modify parameters such as IP address, netmask, or gateway.



### Redundant DC Power Inputs

NPort 5400 device servers supports redundant power sources and provides both a DC terminal block input and a DC power jack input. The two power inputs not only provide power redundancy, but also allow greater flexibility for use with different applications.

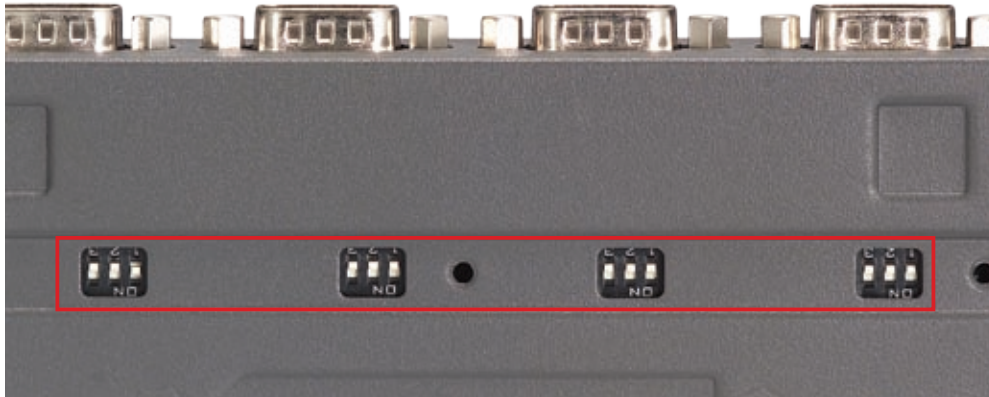


## Adjustable Termination and Pull High/Low Resistors

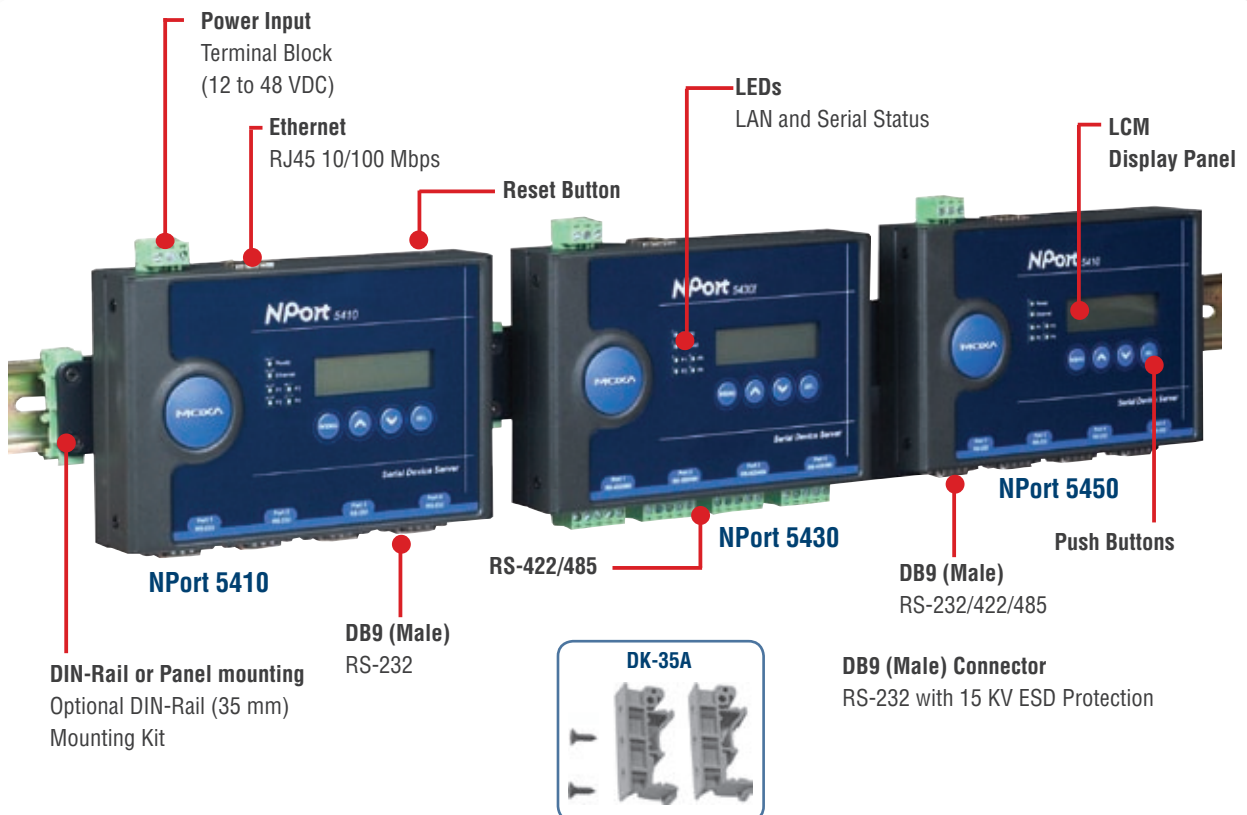
In some critical environments, termination resistors may be needed to prevent the reflection of serial signals. When using termination resistors, it is also important to set the pull high/low resistors correctly so that the electrical signal is not corrupted.

Since no set of resistor values is universally compatible for all environments, NPort 5400 device servers allow manual adjustment of termination and pull high/low resistor values for each serial port, using DIP switches.

### DIP Switches on Rear Panel



## NPort 5410, 5430, 5450



## Ordering Information

- NPort 5410:** 4-port RS-232 serial device server
- NPort 5430:** 4-port RS-422/485 serial device server
- NPort 5430I:** NPort 5430 with 2 KV isolation
- NPort 5450:** 4-port RS-232/422/485 serial device server
- NPort 5450I:** NPort 5450 with 2 KV isolation

## Optional Accessories

- DK-35A:** DIN-Rail Mounting Kit (35 mm)
- DIN-Rail Power Supply:** See page 12-7

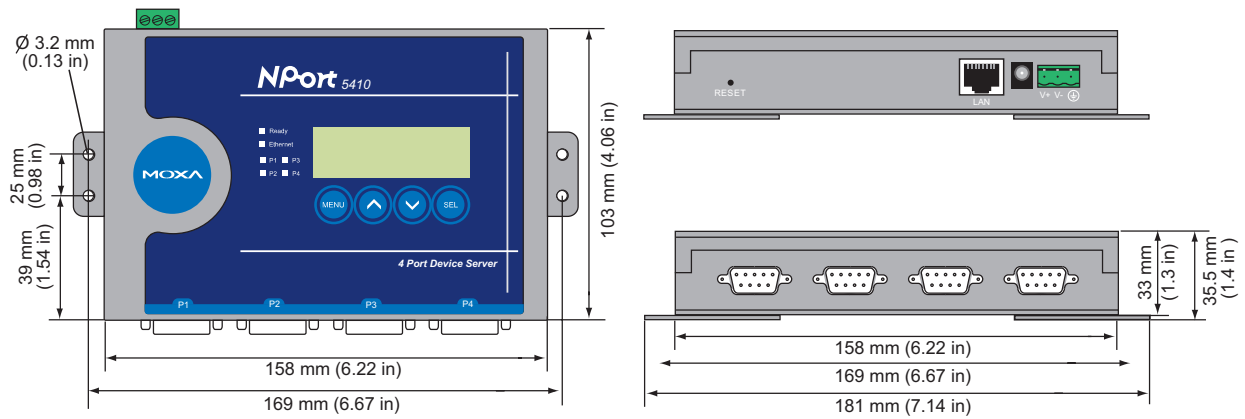
## Package Checklist

- 1 NPort 5400 Device Server
- Quick Installation Guide
- NPort Document and Software CD-ROM
- Power Jack to TB Power Cable

**Terminal Block:** See page 12-5

**Power Adaptor:** See page 12-8

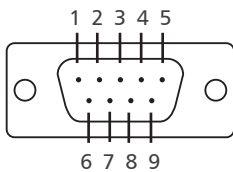
## Dimensions (unit = mm)



## Pin Assignment

### NPort 5410 DB9 (Male) RS-232 Port

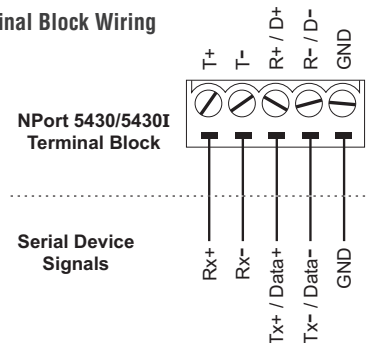
RJ45 RS-232 port



PIN	RS-232
1	DCD (in)
2	RxD (in)
3	TxD (out)
4	DTR (out)
5	GND
6	DSR (in)
7	RTS (out)
8	CTS (in)
9	-

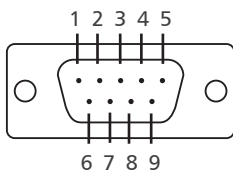
### NPort 5430/5430I Terminal Block RS-422/485 Port

RS-422/485 Terminal Block Wiring



### NPort 5450/5450I DB9 (Male) RS-232/422/485 Port

DB9 (Male) RS-232/422/485 Port



PIN	RS-232	RS-422/485 (4W)	RS-485 (2W)
1	DCD	TxD-(A)	-
2	RxD	TxD+(B)	-
3	TxD	RxD+(B)	Data+(B)
4	DTR	RxD-(A)	Data-(A)
5	GND	GND	GND
6	DSR	-	-
7	RTS	-	-
8	CTS	-	-
9	-	-	-

## Specifications

### LAN

**Ethernet:** 10/100 Mbps, RJ45

**Protection:** Built-in 1.5 KV magnetic isolation

#### NPort 5410 Serial Interface

**Interface:** RS-232

**No. of Ports:** 4

**Port Type:** DB9 (male)

**Signals:** TxD, RxD, RTS, CTS, DTR, DSR, DCD, GND

**Serial Line Protection:** 15 KV ESD for all signals

#### NPort 5430/5430I Serial Interface

**Interface:** RS-422/485

**No. of Ports:** 4

**Port Type:** Terminal Block

**Signals:**

RS-422: Tx+, Tx-, Rx+, Rx-, GND

RS-485 (2-wire): Data+, Data-, GND

RS-485 (4-wire): Tx+, Tx-, Rx+, Rx-, GND

**Serial Line Protection:** 15 KV ESD for all signals

**RS-485 Data Direction:** ADDC™ (Automatic Data Direction Control)

#### NPort 5450/5450I Serial Interface

**Interface:** RS-232/422/485

**No. of Ports:** 4

**Port Type:** DB9 (male)

**Signals:**

RS-232: TxD, RxD, RTS, CTS, DTR, DSR, DCD, GND

RS-422: Tx+, Tx-, Rx+, Rx-, GND

RS-485 (2-wire): Data+, Data-, GND

RS-485 (4-wire): Tx+, Tx-, Rx+, Rx-, GND

**Serial Line Protection:** 15 KV ESD for all signals

**RS-485 Data Direction:**

ADDC™ (Automatic Data Direction Control)

### Power Line Protection

**4 KV burst (EFT), EN61000-4-4**

**2 KV surge, EN61000-4-5**

### Advanced Built-in Features

**HMI:** LCM display with four push buttons

**Buzzer**

**Real-Time Clock**

**Watch Dog Timer**

### Serial Communication Parameters

**Parity:** None, Even, Odd, Space, Mark

**Data Bits:** 5, 6, 7, 8

**Stop Bit(s):** 1, 1.5, 2

**Flow Control:** RTS/CTS, XON/XOFF, DSR/DTR (excluding NPort 5430)

**Transmission Speed:** 50 bps to 921.6 Kbps

### Software Features

**Protocols:**

ICMP, IP, TCP, UDP, DHCP, BOOTP, Telnet, DNS, SNMP, HTTP, SMTP, SNTIP, Rtelnet, ARP

**Utilities:**

NPort Administrator for Windows 95/98/ME/NT/2000/XP/2003/Vista

**OS Driver Support:**

Windows 95/98/ME/NT/2000/XP/2003/x64 Real COM driver/

Linux real TTY driver/SCO Unix/SCO OpenServer 5/

UnixWare 7/UnixWare 2.1/SVR4.2/QNX

**Configuration:** Web console, Telnet console, or Windows utility

### Power Requirements

**Power Input:** 12 to 48 VDC

**Power Consumption:**

NPort 5410: 350 mA @ 12V (max.)

NPort 5430: 360 mA @ 12V (max.)

NPort 5430I: 585 mA @ 12V (max.)

### Mechanical

**Material:** SECC sheet metal (1 mm)

**Dimensions (W × H × D):**

190 × 44.5 × 478 mm (including ears)

190 × 44.5 × 440 mm (without ears)

**Gross Weight:**

NPort 5410: 0.5 kg (1.10 lb)

NPort 5430: 0.5 kg (1.10 lb)

NPort 5430I: 0.5 kg (1.10 lb)

### Environment

**Operating Temperature:** 0 to 55°C (32 to 131°F), 5 to 95%RH

**Storage Temperature:** -20 to 70°C (-4 to 158°F), 5 to 95%RH

### Regulatory Approvals

**EMC:** FCC Class A, CE Class A

**Safety:** UL, CUL, TÜV

**Marine:** DNV

**Warranty:** 5 years

### MTBF

**NPort 5410:** 205153 hours

**NPort 5430:** 201699 hours

**NPort 5430I:** 114540 hours