

12.1" XGA AFOLUX Panel PC

AFL-12A-LX

AMD Geode™ LX-800 500 MHz Processor

AFL-12B-LXPOS

AMD Geode™ LX-800 500 MHz Processor

AFL-12A-N270

Intel® Atom™ Processor N270 1.6GHz Processor



Features



- 12.1" TFT LED Backlight LCD with resistive touch screen
- Fanless cooling system
- 18V~30V wide range DC power input (Optional)
- Selectable AT/ATX power mode through the switch on the chassis inside
- Built-in HSUPA module for mobile connection (Optional)
- One compact flash slot
- IP 64 compliant front panel
- IEI One Key Recovery solution allows you to create rapid OS backup and recovery (Suggest over 4GB storage capacity)



Specifications

| Model | AFL-12A-LX-R20 / AFL-12A-LX24V-R20 | AFL-12BX(S)-LXPOS-R20 | AFL-12A-N270-R20 |
|--|---|---|--|
| LCD Size | 12.1" | | |
| Max Resolution | 1024 x 768 | 1024 x 768 or 800 x 600 | 1024 x 768 |
| Brightness (cd/m ²) | 500 | 500 / 450 | 500 |
| Contrast Ratio | 700 : 1 | 700 : 1 | 700 : 1 |
| LCD Color | 262K | | |
| Pixel Pitch (mm) | 0.240(H) x 0.240(V) | | |
| Viewing Angle (H-V) | 160° / 160° | 160° / 160° or 160° / 140° | 160° / 160° |
| Backlight MTBF | 50000 | | |
| SBC Model | AFLMB-LX-800 | AFLMB-LXPOS-R10 | AFLMB-945GSE-N270-R10 |
| CPU | AMD LX 800 (500MHz) | | |
| Chipset | AMD LX 800 + AMD CS5536 | | |
| RAM | Supports one 333MHz or 400MHz DDR SO-DIMM (1GB Max.) | | |
| I/O Ports | 1 x RS-232 COM Port 1 x RS-232/422/485 COM port 2 x RJ-45 for 10/100Mbps LAN 2 x USB 2.0 1 x Power Switch 1 x Reset Button 1 x Power Jack 1 x Audio Port | 2 x RS-232 COM Port (pin9 with RI, 5V or 12V switch selectable) 1 x RJ-45 for 10/100Mbps LAN 2 x USB 2.0 1 x Power Switch 1 x Reset Button 1 x RJ-12(12VDC) for Cash Drawer 1 x Power Jack | 1 x RS-232 COM Port 1 x RS-232/422/485 COM port 2 x RJ-45 for Giga LAN 2 x USB 2.0 1 x Power Switch 1 x Reset Button 1 x External SATA 1 x Audio Port 1 x Power Jack |
| SSD | CF Typell | | |
| Watchdog Timer | Software programmable supports 1~255 sec. System reset | | |
| Audio | AMP 1.5W + 1.5W (internal speaker) | | |
| Expansion | 1 x Wireless Lan 802.11 b/g Module (internal Mini PCI interface) 1 x Bluetooth Function (internal USB interface, Bluetooth V2.0) | 1 x Wireless Lan 802.11 b/g Module (internal Mini PCI interface) | 1 x Wireless Lan 802.11 b/g Module (internal PCIe mini card interface) 1 x Bluetooth Function (internal USB interface, Bluetooth V2.0) |
| Drive Bay | 1 x 2.5" IDE HDD bay or Optional HSUPA Module | 1 x 2.5" IDE HDD bay | 1 x 2.5" SATA HDD bay or Option HSUPA Module |
| Optional HSUPA Module (support GSM 850, EGSM 900, DCS 1800 & 1900) | 1 x HSUPA Mobile Module (USB Interface) | N/A | 1 x HSUPA Mobile Module (USB Interface) |
| Construction Front Panel | ABS + PC Plastic front frame | | |
| LED Function | 1 x LED on Front Panel for Power ON/OFF | 1 x LED on Front Panel for Power ON/OFF 2 x LED on Rear cover for COM port 12V : RED / 5V : YELLOW / RI : GREEN | 1 x Power ON/OFF LED on Front Panel |
| Mounting | Panel, Wall, Rack, Stand and Arm VESA 75mm x 75mm / 100mm x 100mm | | |
| Front Panel Color | Gray 7539U | | |
| Dimension (WxHxD) (mm) | 304 x 246 x 50 | 304 x 246 x 56 | 304 x 246 x 50 |
| Operation Temperature (°C) | 0°C ~ 50°C | 0°C ~ 50°C | 0°C ~40°C with SATA HDD -10°C ~50°C with CF Card or SATA interface 2.5" SSD HDD |
| Storage Temperature (°C) | -20°C ~ 60°C | | |
| N/G Weight | 1.8 Kg | | |
| IP Level | Front Frame IP64 | | |
| Safety & EMC | CE / FCC / CB / CCC | | |
| Touch Screen | Resistive Type 5-Wire (Touch controller IC is on board) or Capacitive type touch screen without HDD bay | | |
| Power Adapter | P/N: 63000-FSP036RAB608-RS 36W Power Adapter Input: 90VAC~264VAC, 50/60Hz Output: 12VDC | P/N: 63000-FSP050DBAB1405-RS 50W Power Adapter Input: 90VAC~264VAC, 50/60Hz Output: 12VDC | P/N: 63000-FSP050DBAB1405-RS 50W Power Adapter Input: 90VAC~264VAC, 50/60Hz Output: 12VDC |
| Power Requirement | 12VDC/18~30VDC | 12VDC | 12VDC |
| Power Consumption | 29W | 29W | 32W |

1 IEI Mobile Solution

2 Automation Panel Solutions

3 Digital Signage

4 Video Wall Controller/ Splitter

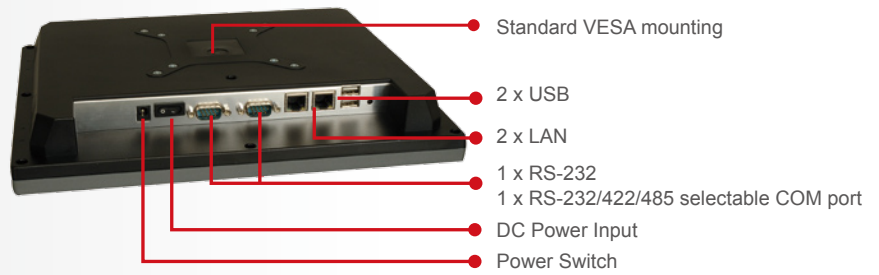
5 RISC-based Solutions

6 PACSmate Medical

7 Optional Peripherals

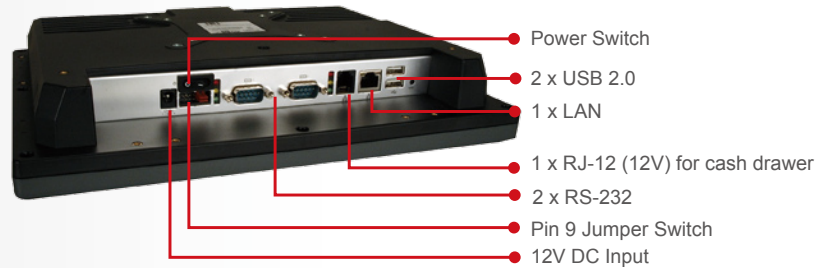
Fully Integrated I/O

• AFL-12A-LX

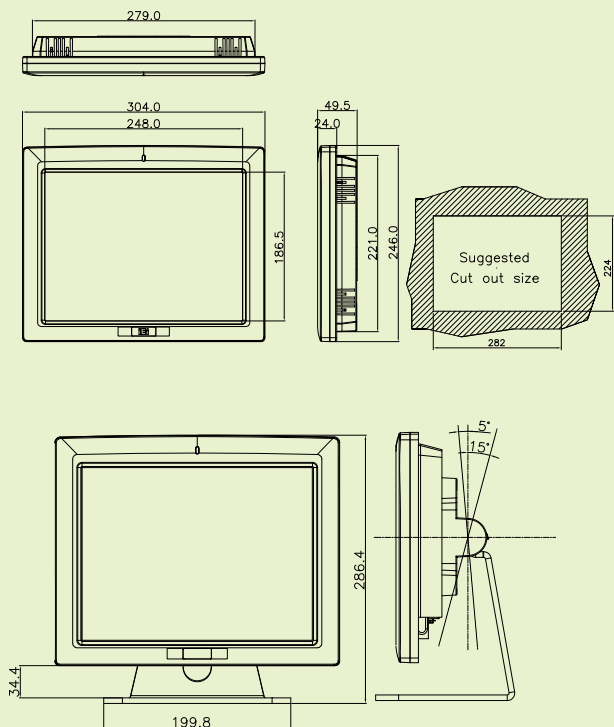


• AFL-12A-N270

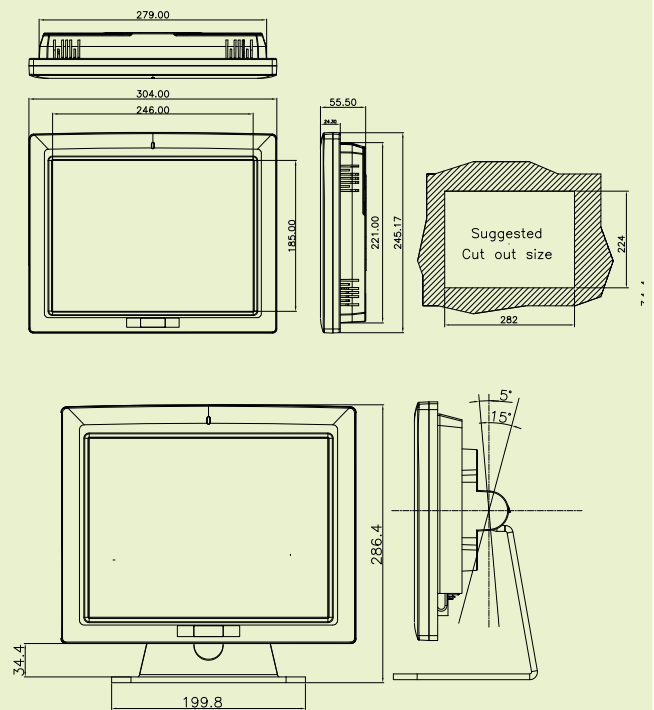
• AFL-12B-LXPOS



AFL-12A
Dimensions (Unit: mm)



AFL-12B
Dimensions (Unit: mm)



1
IEI Mobile Solution

2
Automation Panel Solutions

3
Digital Signage

4
Video Wall Controller/ Splitter

5
RISC-based Solutions

6
PACsmate Medical

7
Optional Peripherals

Ordering Information

| Part Number | Description |
|--|---|
| AFL-12A-LX/R**(H)/256-R20 | 12.1" 500 cd/m ² , XGA fanless panel PC with AMD LX-800 CPU, AT/ATX mode, 802.11b/g Wireless Module,Bluetooth Module,Touch screen and 256MB DDR RAM, R20, RoHS |
| AFL-12A-LX/R**(H)/512-R20 <i>18V~30VDC!</i> | 12.1" 500 cd/m ² , XGA fanless panel PC with AMD LX-800 CPU, AT/ATX mode, 802.11b/g Wireless Module,Bluetooth Module,Touch screen and 512MB DDR RAM, R20, RoHS |
| AFL-12A-LX24V/R**(H)/256-R20 <i>18V~30VDC!</i> | 12.1" 500 cd/m ² , XGA fanless panel PC with AMD LX-800 CPU, 18~30VDC input,AT/ATX mode, 802.11b/g Wireless Module, Bluetooth Module,Touch screen and 256MB DDR RAM, R20, RoHS |
| AFL-12A-LX24V/R**(H)/256-R20 <i>AFOLUX POS Solution!</i> | 12.1" 500 cd/m ² , XGA fanless panel PC with AMD LX-800 CPU, 18~30VDC input,AT/ATX mode, 802.11b/g Wireless Module, Bluetooth Module,Touch screen and 512MB DDR RAM, R20, RoHS |
| AFL-12BS-LXPOS/R/256-R20 <i>AFOLUX POS Solution!</i> | 12.1" 450 cd/m ² SVGA fanless PPC with AMD Geode LX 800 CPU,256MB DDR RAM,802.11 b/g wireless module and touch screen, without STAND, R20, RoHS |
| AFL-12BX-LXPOS/R/256-R20 | 12.1" 500 cd/m ² XGA fanless PPC with AMD Geode LX 800 CPU,256MB DDR RAM,802.11 b/g wireless module and touch screen, without STAND, R20, RoHS |
| AFL-12A-N270/R**(H)/1G-R20 | 12.1" 500 cd/m ² , XGA fanless panel PC with Intel® Atom™ N270 1.6GHz,802.11b/g wireless module, bluetooth module, touch screen, 1GB DDR2 533, R20, RoHS |

Note 1 : WiFi 802.11 draft N is upgradable.
Note 2 : Capacitive type touch screen is upgradable.

Options

| Model | AFL-12A-LX | AFL-12B-LXPOS | AFL-12A N270 |
|-----------------------------------|-----------------------|--|-------------------------|
| Panel mounting kit | | AFLPK-12 | |
| Wall mounting kit | | AFLWK-12 | |
| Rack mounting kit | | AFLRK-12 | |
| ARM | | ARM-11-RS / ARM-31-RS | |
| Stand | | STAND-A12 / STAND-POS12 / STAND-100-RS | |
| VSTAND | | VSTAND-A12 | |
| 9~30VDC to 12VDC converter module | | IDD-930160-KIT | |
| OS: Win CE 5.0 (128 MB CF card) | AFLCF-12-LX-CE-R11 | AFLCF-12-LXPOS-CE | N/A |
| OS: Win CE 6.0 (128 MB CF card) | AFLCF-12-LX-CE060-R11 | AFLCF-12-LXPOS-CE060 | AFLCF-12-N270-CE060-R10 |
| OS: Win XPE (1 GB CF card) | AFLCF-12-LX-XPE-R11 | AFLCF-12-LXPOS-XPE | AFLCF-12-N270-XPE-R10 |
| OS: LINUX (2 GB CF card) | AFLCF-12-LX-LNX-R10 | AFLCF-12-LXPOS-LNX-R10 | AFLCF-12-N270-LNX-R10 |
| Hybrid Card Reader | | AFLP-12AMSI-U | |
| Magnetic Stripe Reader | | AFLP-12AMSR-U | |
| DC 12V Input UPS | | AUPS-A10-R10 (7.4V 3800mAh) | |
| DC 9~36V Input UPS | | AUPS-A20-R10 (7.4V 3800mAh) | |

ISMM Support Functions

| | Voltage | Fan | Smart Fan | Temperature | DIO | WDT | Cash Drawer |
|----------------------|---------|-----|-----------|-------------|-----|-----|-------------|
| AFL-12A-LX | V | | | V | | V | |
| AFL-12B-LXPOS | V | | | V | | V | V |
| AFL-12A-N270 | V | | | V | | V | |

Packing List

| Item | Part Number | Q'ty | Specification |
|----------------------|--|------|---|
| Screws Pack | 44013-030041-RS | 4 | M3;5mm |
| Power Adpater | 63000-FSP036RAB608-RS 63000-FSP050DBAB1405-RS | 1 | 90~264V AC; 12V DC; 36W (for LX) 90~264V AC; 12V DC; 50W (for LXPOS, N270) |
| Power Cord | 32000-000002-RS | 1 | 1750mm; European Standard |
| Utilities CD | 7B000-000087-RS | 1 | |
| Touch Pen | XTR104-0002-RS | 1 | |

Note: AFL-LX24V model is without power adapter

1
IEI Mobile Solution

2
Automation Panel Solutions

3
Digital Signage

4
Video Wall Controller/ Splitter

5
RISC-based Solutions

6
PACSmate Medical

7
Optional Peripherals