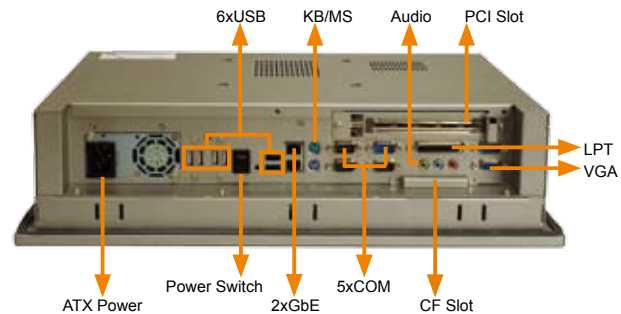


# PPC-5190GS

Pentium® 4 / Celeron® D Panel PC with 19" TFT LCD



## Features

1. 19" TFT LCD
2. Intel Pentium 4 / Celeron D CPU support FSB 533MHz up to 2.8GHz
3. DDR 266/333MHz DIMM memory up to 2GB
4. Dual Gigabit Ethernet support
5. One Compact Flash® Type II socket
6. IP 65 compliant aluminum front panel

## Specifications

<b>CPU Board</b>	POS-8520	<b>Touch Screen</b>	Optional 5-wire resistive type with RS-232 interface
<b>CPU</b>	<ul style="list-style-type: none"> <li>Socket-478 based Intel® Pentium® 4/Celeron® D support FSB 400MHz up to 2.8GHz</li> </ul>	<b>Power Supply</b>	ATX Power: 180W, ACE-4518AP-RS Input : 90 ~ 240VAC @ 50/60Hz, Output (max) : 3.3V@16.8A, 5V@12A, 12V@10A, -12V@ 0.8A ATX Power : 200W, ACE-4520C-RS Input : 24VDC @ 50/60Hz, Output (max) : 3.3V@12A, 5V@12A, 12V@15.4A, -12V@ 0.8A
<b>Chipset</b>	Intel® 852GME + ICH5	<b>Operating Temp.</b>	0 °C~ 50°C.
<b>Memory</b>	2 x DDR 266/333MHz DIMM socket up to 2GB	<b>Storage Temp.</b>	-20°C ~ 60°C.
<b>VGA</b>	Intel 852GME support dual display	<b>Vibration</b>	<ul style="list-style-type: none"> <li>5~17Hz 0.1" double amplitude displacement</li> <li>17~640 Hz 1.5G acceleration peak to peak</li> </ul>
<b>SSD</b>	CF Type II	<b>Shock</b>	10G acceleration peak to peak. (11ms)
<b>Drive Bay</b>	<ul style="list-style-type: none"> <li>1 x 2.5" SATA/IDE HDD bay with anti-shock or 2 x 2.5" SATA/ IDE HDD bay</li> <li>1 x Slim Type CD-ROM bay</li> <li>1 x Slim Type FDD bay</li> </ul>	<b>Relative Humidity</b>	5 ~ 95% @ 60° C, non-condensing
<b>Ethernet</b>	2 x Realtek RTL8110S Gigabit Ethernet controller	<b>Net /Gross Weight</b>	12.6 / 18.2 Kg
<b>Audio</b>	AC'97 2.3 Realtek ALC 655	<b>Dimension</b>	483(w) x399 (H) x116(D)mm
<b>I/O</b>	<ul style="list-style-type: none"> <li>1 x RS-232/422/485 ports</li> <li>5 x RS-232 ports</li> <li>6 x USB 2.0 ports</li> <li>2 x PS/2 ports (KB/MS)</li> <li>1 x VGA out</li> <li>1 x LPT</li> <li>2 x LAN</li> <li>3 x Audio (Lin-in, Line-out, MIC-in)</li> <li>2 x IDE</li> <li>2 x SATA</li> </ul>	<b>LCD</b>	<ul style="list-style-type: none"> <li>Resolution: 1280 x1024 XGA</li> <li>Brightness : 300cd/m2</li> <li>Contrast Ratio : 700:1</li> <li>Viewing Angle (H-V):140/130</li> <li>Backlight MTBF : 50000hrs</li> </ul>
<b>Expansion Slot</b>	1 x PCI slot	<b>Front Panel Protection</b>	IP 65 Compliant
		<b>Certificate</b>	Meets CE / FCC

## POS-8520

1. Intel® Socket 478 Pentium® 4 CPU support up to FSB 533MHz
2. CRT/LCD VGA integrated in Intel® 852GME
3. DDR 266/333MHz DIMM socket support up to 2GB



1  
Single Board Computer

2  
VIDEO CARD

3  
Xscale Solutions

4  
Open HMI

5  
VITO Universal Controller

6  
DINO BLADE

7  
LCD Product Series

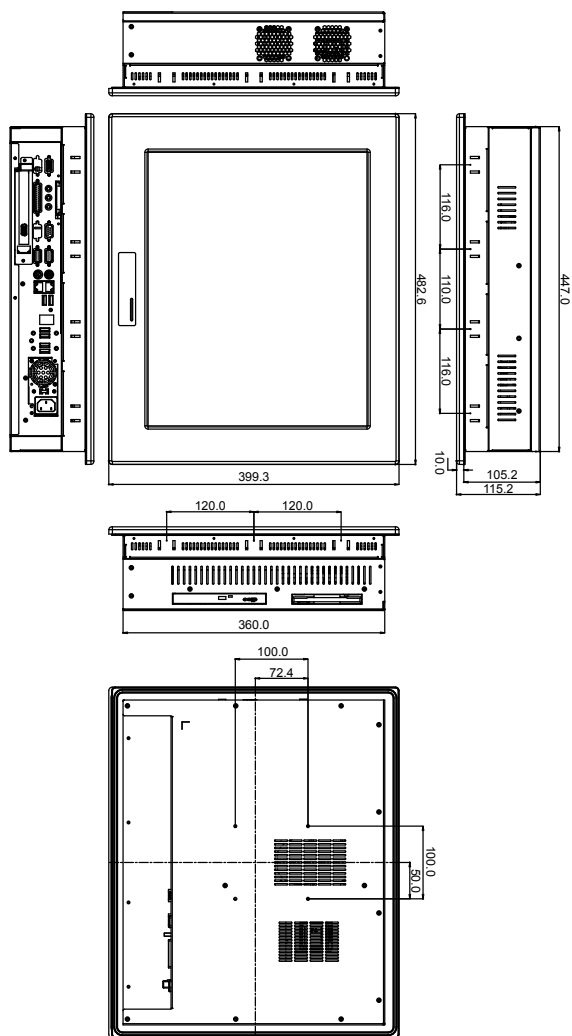
8  
Embedded System

9  
Industrial Computer Chassis

10  
Power Supply

11  
Peripherals

## Dimensions



## Packing List

Part Number	Description	Amount
32000-000002-RS	Power Cord	1
19100-000037-RS	CPU COOLER	1
19B00-000013-RS	CD-ROM Installation Kit	1
WK-190MS-R10	Wall Mounting Kits	1
PK-190MS-R10	Panel Mounting Kits	1
32200-014506-RS	HDD IDE Cable(44 PIN + 2 x 40PIN)	1
32200-019201-RS	HDD IDE Cable(44 PIN + 40PIN)	1
32000-077000-RS	HDD SATA Cable	1
19B00-000013-RS	FDD Installation Kit	1
41011-0397C0-00-RS	HDD Bracket	1
33100-000079-RS	Jumper Pack	1
19600-000078-RS	Screw Kit	1
	User Manual & Driver CD	1
	Touch Screen Driver CD / Touch Pen (For T-R model only)	1

## Screen rotation for more flexibility usage

POS-8520 supports screen rotation function. It's integrated in the Intel windows drivers and could be easily adjusted by GUI or hot keys. Collocating with rotational VESA mount arms, user can switch the screen status to feet needed anytime, or even more, combine dual independent display function to get more convenience.

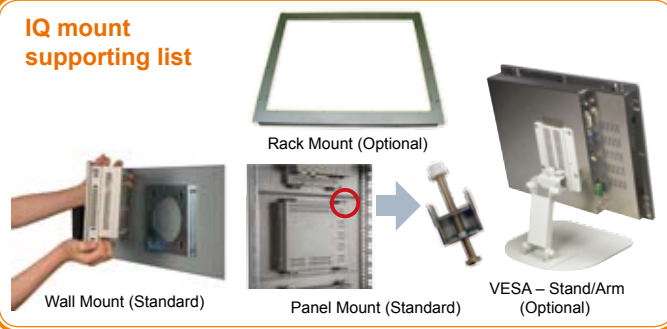


## Big screen allows multi-display



PPC-5190GS equips 19" TFT LCD which is a ideal design for the multi-display requirement such as digital surveillance or multi-operating-system. With multi-display configuration, users can handle more tasks at the same time as well as saving resource and space.

## IQ mount supporting list



## Options

WK-190MS-R10	Rack mount kits
ARM-31-RS	LCD Monitor Arm
STAND-100-RS	LCD Monitor Stand

## Ordering Information

PPC-5190GS/8520/ACE-4518AP	19" TFT Panel PC with POS-8522 and ACE-4518AP, Silver color, RoHS
PPC-5190GS/8520/ACE-4518AP/T-R	19" TFT Panel PC with POS-8522, ACE-4518AP and touch screen Silver color, RoHS
PPC-5190GS/8520/ACE-4520C	19" TFT Panel PC with POS-8522 and ACE-4520C (24VDC input), Silver color, RoHS
PPC-5190GS/8520/ACE-4520C/T-R	19" TFT Panel PC with POS-8522, ACE-4520C (24VDC input) and touch screen Silver color, RoHS