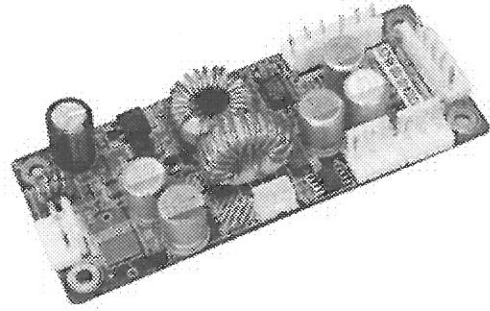




IEI Technology Corp.

IDD-936260A DC/DC Converter Module



| | |
|--|------------------------|
| IEI Technology Corp. | |
| No.29, Jhongsing Rd., Sijhih City, Taipei County 221, Taiwan | |
| Tel : +886-2-8691-6798 | Fax : +886-2-6616-0029 |
| E-mail : sales@iei.com.tw | |

Specifications

- Input: 9VDC~36VDC
- Output:
 - 12V@3A (Max.)
 - 5V@10A (Max.)
 - 5VSB@0.5A (Max.)
- Max. Total Output: 60W
- Performance Characteristics:
 - Noise & Ripple: <240mV
 - Line Regulation: <50mV
 - Load Regulation: <100mV
 - Efficiency: Up to 90%
- Dimensions: 40mm x 100mm
- Weight: NW:58g
- Operating Temperature: -20°C~70°C

Connectors

Input Power Connector (CN3)

| PIN NO. | DESCRIPTION |
|---------|-------------|
| 1-2 | VIN |
| 3-4 | GND |

ATX Mode Connector (CN7)

| PIN NO. | DESCRIPTION |
|---------|-------------|
| 1 | 5VSB |
| 2 | GND |
| 3 | PS_ON |

Output Power Connectors

CN1, CN2, CN5, CN6

| PIN NO. | DESCRIPTION |
|---------|-------------|
| 1 | +5V |
| 2 | GND |
| 3 | +12V |

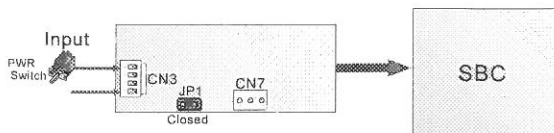
CN4

| PIN NO. | DESCRIPTION |
|---------|-------------|
| 1 | +5V |
| 2 | +5V |
| 3 | GND |
| 4 | GND |
| 5 | +12V |

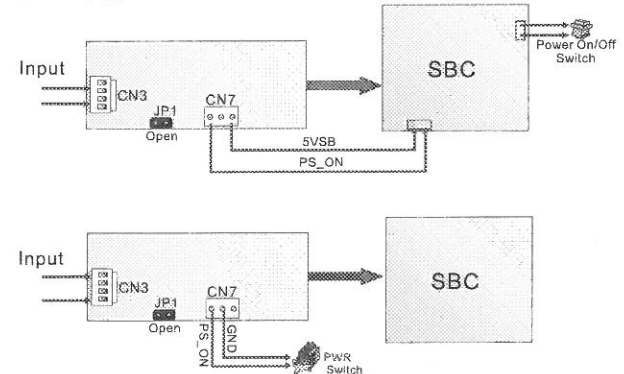
Jumper Setting

| JP1 | DESCRIPTION |
|--------|-------------------|
| Closed | AT Mode (default) |
| Open | ATX Mode |

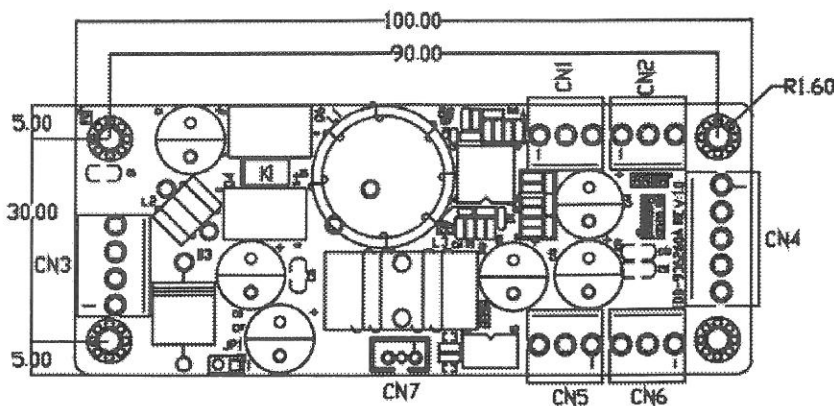
AT Mode



ATX Mode



Dimensions



Copyright Notice

The information in this document is subject to change without prior notice in order to improve reliability, design, and function and does not represent a commitment on the part of the manufacturer.

In no event will the manufacturer be liable for direct, indirect, special, incidental, or consequential damages arising out of the use or inability to use the product or documentation, even if advised of the possibility of such damages.

This document contains proprietary information protected by copyright. All rights are reserved. No part of this manual may be reproduced by any mechanical, electronic, or other means in any form without prior written permission of the manufacturer.