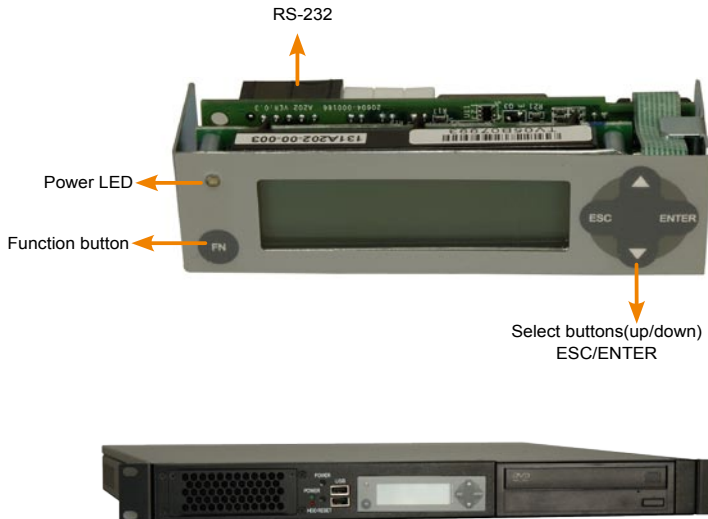


LCM-02G

16x2 LCD Message Module



LCM-02G in RACK-1151G
1U rackmount Chassis

Features

- ◆ RoHS compliant design
- ◆ One programmable welcome page
- ◆ Up to 8 messages auto rolling mode
- ◆ Adjustable back-light brightness
- ◆ Five Programmable Buttons
(Four OSD buttons and One extra function button.)



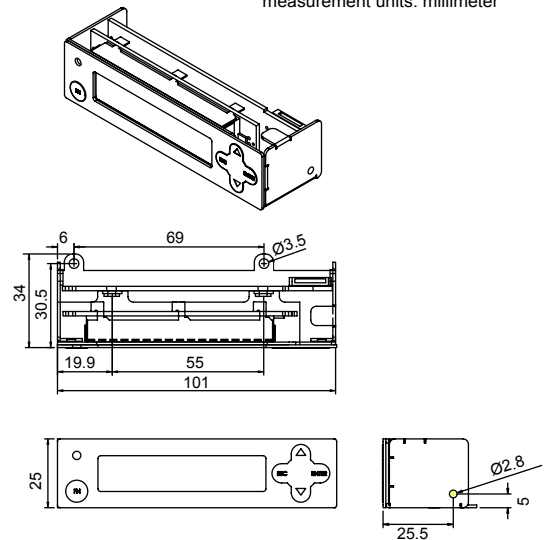
LED Back Light On

Specifications

◆ Character Number	16 characters x 2 lines
◆ Character Size (WxH)	2.96 mm X 5.56 mm
◆ Dot Size (WxH)	0.56 mm X 0.66 mm
◆ Back Light	Yellow green LED with adjustable brightness
◆ LCD Size (WxH)	60mm x 15mm
◆ Buttons	UP / DOWN / ESC / ENTER / FN
◆ Control Interface	RS-232
◆ GPIO	4
◆ Power	DC 5V
◆ Operating Temperature	0~50℃
◆ Dimensions (WxHxD)	101mm x 25mm x 34mm

Dimensions

measurement units: millimeter



Ordering Information

Part No.	Description
LCM-02G	16 x 2 LCD Message Module, RoHS

Packing List



- 1 x LCM-02G
- 1 x user manual
- 1 x utility disk
- 1 x power cable
- 1 x RS-232 cable
- 3 x LED, reset cable
- 1 x screw set



Headquarters

IEI Technology Corp.

TEL : +886-2-86916798 FAX : +886-2-66160028
sales@ieiworld.com www.ieiworld.com
No. 29, Zhongxing Rd., Sijhih City, Taipei County, 221, Taiwan

America-United States

IEI Technology USA Corp.

TEL : +1-562-690-6677 FAX : +1-562-690-0898
sales@usa.ieiworld.com www.usa.ieiworld.com
515 N. Puente St., Brea, CA 92821

China

Armorlink SH Corp.

TEL : +86-021-54429000 FAX : +86-021-54429100
sales@ieiworld.com.cn www.ieiworld.com.cn
No.515, Shenfu Road, Minhang District, Shanghai, China