

# ACE-830CU1/TU1/VU1

300/170W 24/48/12V DC Input ATX Power Supply



## Specifications

### Input Range:

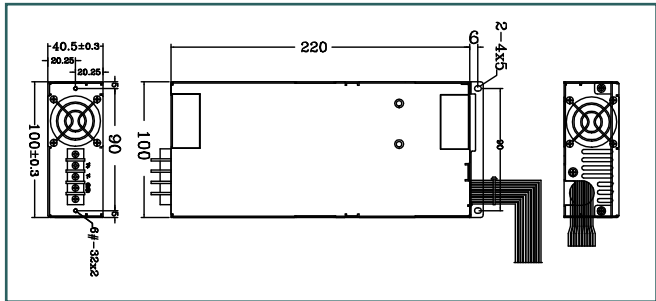
Model	Input Range	Input Current
ACE-830CU1	+18~+36V DC	30A @+24V DC
ACE-830TU1	-36~-72V DC	15A @-48V DC
ACE-830VU1	+10~-+18V DC	30A @+12V DC

### ACE-830CU1/TU1/VU1, ACE-840APU2

Nominal	Regulation	Ripple/ Noise	ACE-830CU1		ACE-830TU1		ACE-830VU1	
			Min.	Max.	Min.	Max.	Min.	Max.
+3.3V	±5%	50mV	-	20A	-	20A	-	10A
+5V	±5%	50mV	3A	25A	1.5A	25A	1.5A	15A
+12V	±5%	120mV	1A	22A	0.1A	22A	0.1A	10A
-5V	±5%	50mV	-	0.8A	-	0.8A	-	0.5A
-12V	±10%	120mV	-	1A	-	1A	-	0.8A
+5Vsb	±5%	100mV	-	1.5A	-	1.5A	-	1.5A

- ACE-830CU1: The output of +3.3V and +5V shall not exceed 180W. +3.3V, +5V and +12V total output power maximum is 296W.
- ACE-830TU1: The output of +3.3V and +5V shall not exceed 180W. +3.3V, +5V and +12V total output power maximum is 296W.
- ACE-830VU1: The output of +3.3V and +5V shall not exceed 100W. +3.3V, +5V and +12V total output power maximum is 160W.
- Hold-up time: ACE-830VU1: 28ms min, ACE-830CU1: 26ms min
- Efficiency: 70%(ACE-830VU1,ACE-830CU1) 75%(ACE-830TU1)
- Protection: Over Voltage/Load Protection and short circuit protection.
- TTL signal compatible power good signal.

## Dimensions



- Vibration: 10-55Hz at 2G 3min. period, 30min. along X, Y and Z axis
- Shock: 20G for 11ms once on each X,Y and Z axis.
- Built-in cooling fan.
- MTBF: Minimum 100000 hours at 25°C
- Safety: UL 1950, TUV, meets CE
- EMI: FCC parts 15 class "A", CISPR 22 level "A" Active PFC, complies with EN 61000-3-2
- EMS: meet EN 61000-4-2, EN 61000-4-3, EN 61000-4-5, EN 61000-6-2, EN 61000-6-4
- Operating temperature: -0~50°C
- Storage temperature: -20~80°C
- Power connectors: 20 PIN ATX x 1, 4 PIN ATX-12V x 1, Extra +5V x 1, HDD or CD-ROM x 5, Floppy x 1

## Ordering Information

- ACE-830CU1 300W 24VDC ATX Power Supply
- ACE-830TU1 300W 48VDC ATX Power Supply
- ACE-830VU1 170W 12VDC ATX Power Supply

# ACE-540A

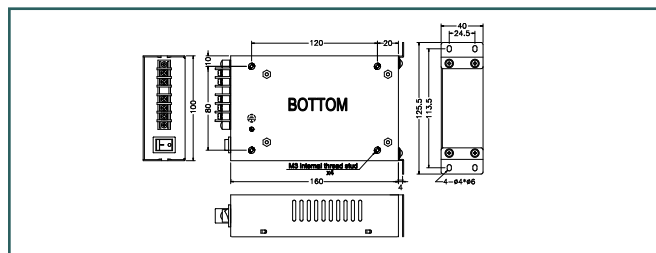
24V DC Output Industrial Power Supply



## Specifications

- Input: Voltage: 85 ~ 264V AC
- Output: 2A@24V DC, 50°C with 20CFM air cooling, 1.7A@24V DC, 50°C with free air cooling
- Load Regulation: Less than 1% by changing the output
- Efficiency: Higher than 70%
- Hold-up Time: 20ms (typical)@115V AC
- Protection: Over voltage protection. The trip point is around 26.2V ~ 31V output
- Operating temperature: -20° ~ 70°C (Will derate the output to 70% when operating at 70°C)
- Storage temperature: -40° ~ 85°C

## Dimensions



- Altitude: 0 ~ 10,000ft
- MTBF: 372,384 Hours.
- Safety: UL 1950, meets CE
- EMI: FCC docket 20780 curve "B", EN55022
- EMS Standard:
  - EN-50082-1
  - IEC 801-2 8KV (Air Discharge) criteria B
  - IEC 801-3, 3V/M criteria B
  - IEC 801-4, 2KV criteria B
  - IEC 801-5, 2KV criteria B

## Ordering Information

- ACE-540A 24V DC Output Industrial Power Supply