

## MAINS FREQUENCY & VOLTAGE MONITORING RELAY

Type: UFWA

### FEATURES

- Adjustable version with individual under- and overvoltage settings and under- and overfrequency settings
- Function setting with dipswitch
- Ceramic resonator controlled reference
- Time delay - on and off - individually adjustable
- One unit for three mains voltages
- LEDs indicate the state of the frequency
- LED indicates the state of input
- LED indicates the state of relay
- LEDs indicate the timing function

### Description:

The combined voltage and frequency relays are designed for applications where a voltage and/or a frequency needs to be monitored. UFWA are combined over- and under voltage and frequency relays.

The relay can by means of dipswitches and trimmers be set to work as:

- 1) an under voltage and frequency relay
- 2) an over voltage and frequency relay
- 3) a frequency relay only
- 4) or as an under and over voltage and frequency relay

### Operation:

When the supply voltage is applied, the - power up reset - period begins. If the nominal voltage and/or frequency is applied to the input, the internal relay pulls in the end of the reset period.

If the input voltage/frequency exceeds the adjusted upper or lower limits the relay drops out.

If the input voltage/frequency comes between the lower limit plus the differential and the upper limit minus the differential, the relay pulls in.

The voltage differential is fixed 2 % of the nominal input voltage. The frequency differential is fixed 10 % of tripping deviation.

As under voltage relay only, the relay remains energized for input voltages exceeding the upper limit.

As over voltage relay only, the relay remains energized for input voltage under the lower limit.

As frequency relay only, the relay remains energized for input frequencies within the lower and upper limits.

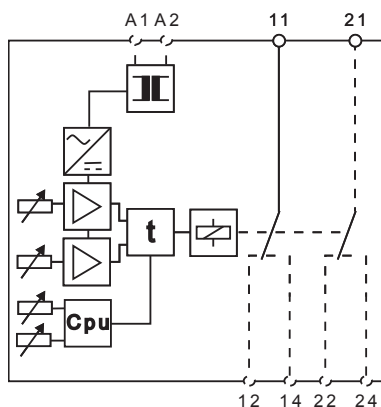
As under and over and frequency relay, the relay remains energized for voltage and frequency within the limits.

### Application:

To monitor mains voltages and frequencies. To protect electrical and electronic equipment from damage because of over- or under voltage. On special request, the relay can be modified to monitor higher or lower frequencies.

### CONNECTION DIAGRAM

Rail mounting



### PROGRAMMABLE FEATURES

VOLTAGE SETTING				ACTUATOR ■	FUNCTION
TYPE	TYPE	TYPE	TYPE		
110 V	230 V	400 V	460 V		LOWER AND UPPER LIMIT LOWER LIMIT UPPER LIMIT
100 V	220 V	380 V	440 V		
110 V	230 V	400 V	440 V		
115 V	240 V	415 V	480 V		

**SPECIFICATIONS**

**INPUT**

Phase to phase voltage  
Selectable by dipswitch

Type B110: 100, 110 and 115  
Type B230: 220, 230 and 240  
Type B400: 380, 400 and 415  
Type B460: 440, 460 and 480

Adjustable range 0 ± 20 %  
Differential 2 % of U<sub>N</sub>

**Frequency unit**

Differential Fixed approx. 10 % of tripping deviation.  
Ref. deviation ± 0.5 %  
Ref. temp. dependence ± 0.3 % (-20 to 80°C)  
Response time max 200 msec.

**PERFORMANCE PARAMETERS**

**TIMING**

Time range during run Separate On and Off delay  
0 - 10 sec. adjustable  
Response time Approx. 200 msec.

**ELECTRICAL**

Temp. dependency Typ. ± 0.02 % / °C  
Supply dependency Typ. ± 0.01 % / % ΔU

**OUTPUT**

Relay, 2 C/O  
Contact rating 6 A, 250 VAC, 1250 W  
Mechanical life 30 million operations

**SUPPLY**

AC voltage direct from input  
AC supply range 110 V (From 99 to 140 V)  
with transformer 230 V (From 198 to 264 V)  
Standard voltage 400 V (From 342 to 484 V)  
460 V (From 393 to 557 V)

AC frequency range 45 to 440 Hz  
Power consumption 4 VA, 2 W

**GENERAL**

Temperature range - 25 °C to + 55 °C ambient  
Humidity Up to 90 % RH non-condensing  
Dielectric test voltage Coil to relay contacts 4000 VAC  
Pole to pole (45 mm.) 2500 VAC  
Weight 0.22 kg



International Standards  
EMC directive 89/336: EN50081 - Emission  
EN50082 - Immunity  
Low voltage directive 73/23: EN60255 - Electrical Relays

**ORDERING INFORMATION**

**EXAMPLE:**

**TYPE**  
Mains frequency & voltage control relay

**FREQUENCY**  
Center frequency 50Hz  
Center frequency 60Hz  
frequency range ± 0.4-2%  
frequency range ± 1-5%  
frequency range ± 2-10%  
frequency range ± 4-20%

**SUPPLY**  
AC with transformer  
100, 110 and 115  
220, 230 and 240  
380, 400 and 415  
440, 460 and 480

**ADJUSTMENT**  
Trimpot and dipswitch adj.

**HOUSING**  
Rail mounting

**SIZE**  
45 mm.

**CODE**  
**Code end**  
Extended Code

