



Micronet[®]
Faster and Easier Networks



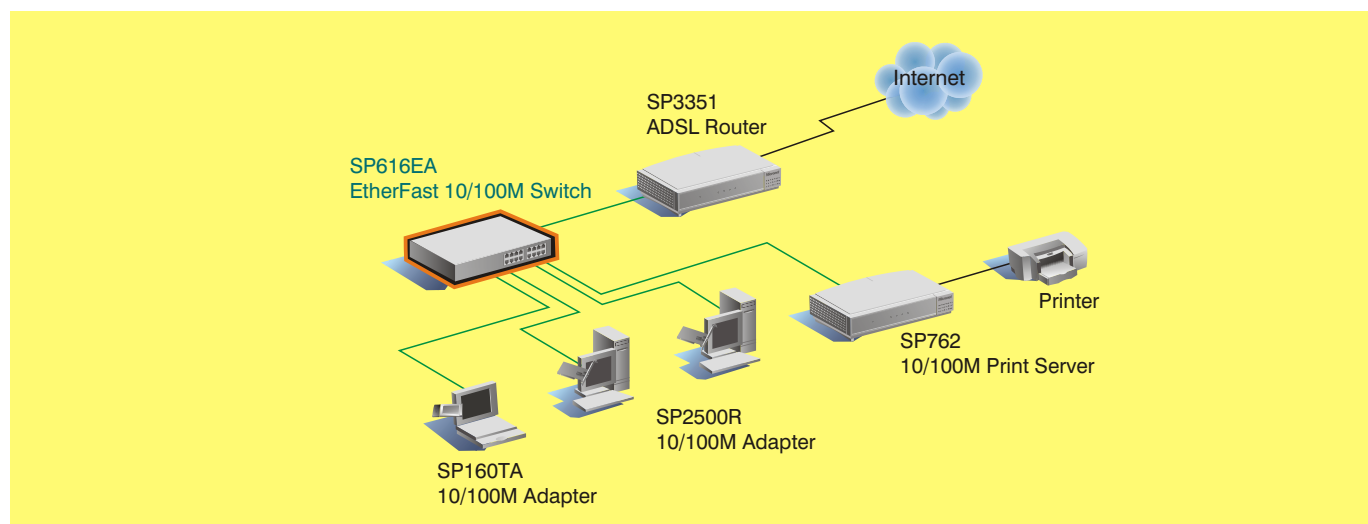
Micronet SP616EA

EtherFast 10/100M Switch

Micronet SP616EA 10/100M Switch provides powerful, high-performance Ethernet switch, with all ports capable of 10 and 100M auto-negotiation operation. With its intelligent addressing engine, it provides users with a wire-speed filtering and forwarding of the traffic. All ports support auto-uplink detection, so users don't have to worry about the cable type. Each port will automatically communicate for best speed and to run in half- or full-duplex mode. Store-and-forward switching prevents damaged packets and network errors from being passed on into the network.

Key Features

- Compliant with IEEE802.3 10Base-T, IEEE802.3u 100Base-TX and IEEE802.3x flow control
- Support Auto-Negotiation function to automatically select optimal speed (10/100Mbps) and mode (Full/Half Duplex)
- Support auto uplink, no more cross-over cable
- Support 802.3x flow control for full-duplex mode and back-pressure flow control for half-duplex mode
- Forward and filter packets at non-blocking, full wire speed
- 100 - 240V AC, universal internal power supply



EtherFast 10/100M Switch

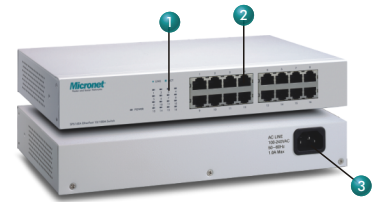
SPECIFICATION AND PRODUCT FEATURES

Model	SP616EA
Standard	IEEE 802.3, 10BASE-T IEEE 802.3u, 100BASE-TX IEEE 802.3x, Flow Control
Interface	16*10/100M RJ-45 ports
Cable Connections	10BASE-T: Category 3, 4, 5 UTP / STP 100BASE-TX: Category 5, 5e UTP/STP
Network Speed	10M(Half duplex)/20M(Full duplex) 100M(Half duplex)/200M(Full duplex)
Uplink	Auto Uplink (Auto MDI / MDI-X)
Switch Fabric	3.2 Gbps
Filtering/Forwarding Rate	10Mbps: 14,880pps/14,880pps 100Mbps: 148,800pps/148,800pps
Emission	FCC , CE
Operating Temperature	0°- 40°C (32°-104° F)
Operating Humidity	10% - 90% (Non-condensing)
Dimension	161 x 267 x 44 mm (W x L x H)
Power Supply	100 - 240V AC, 50/60Hz Full range internal power supply

The product specifications are subject to change without prior notice

ORDERING INFORMATION

Model	Description
SP616EA	16-Port 10/100M Fast Ethernet Switch, Internal Power



SP616EA
EtherFast 10/100M S switch

- ① Status Indicator
- ② 10/100M RJ-45 Ports
- ③ Power Jack

COMPANION PRODUCTS

Consider the following Micronet products as a factor in your network planning.

56K Modem

ADSL and Broadband

Internet Camera

ISDN TA / Router

KVM Switch

Media Converter

Mobile Communication

Network Interface Card

PCMCIA and Compact Flash

Powerline

Print Server

Switch and Hub/SOHO

Switch/Enterprise

USB Device Family

VDSL

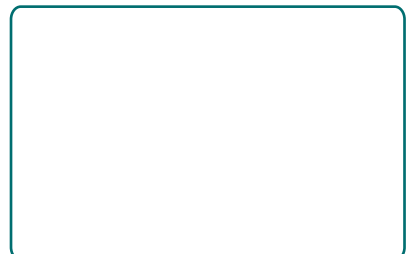
VoIP Telephony

Wireless LAN

Wiring System

Copyright © 2005 Micronet Communications Inc. All technical information in this document is subject to change without prior notice. Micronet, EtherFast and MicroView are registered trademarks of Micronet Communications Inc. Microsoft, Windows, Windows 95, Windows 98, Windows NT, Windows 2000 are registered trademarks of Microsoft Corporation. Novell and Netware are registered trademarks of Novell Inc. All other trademarks and registered trademarks are properties of their respective holders.

Distributor:



Headquarter

Micronet Communications Inc.

Manufacturer and Exporter

Spectrum Technologies Corp.

E-mail: sales@micronet.info; support@micronet.info Web: http://www.micronet.info

